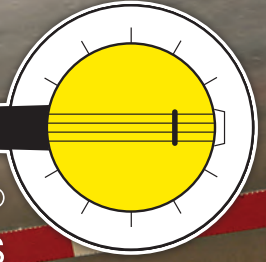


CATALOG #64 2024

# BANJO<sup>®</sup>

Liquid Handling Products



BANJO LIQUID HANDLING PRODUCTS

## CONNECT WITH CONFIDENCE™

CATALOG #65 EFFECTIVE OCTOBER 2023

# 2024



# INDEX

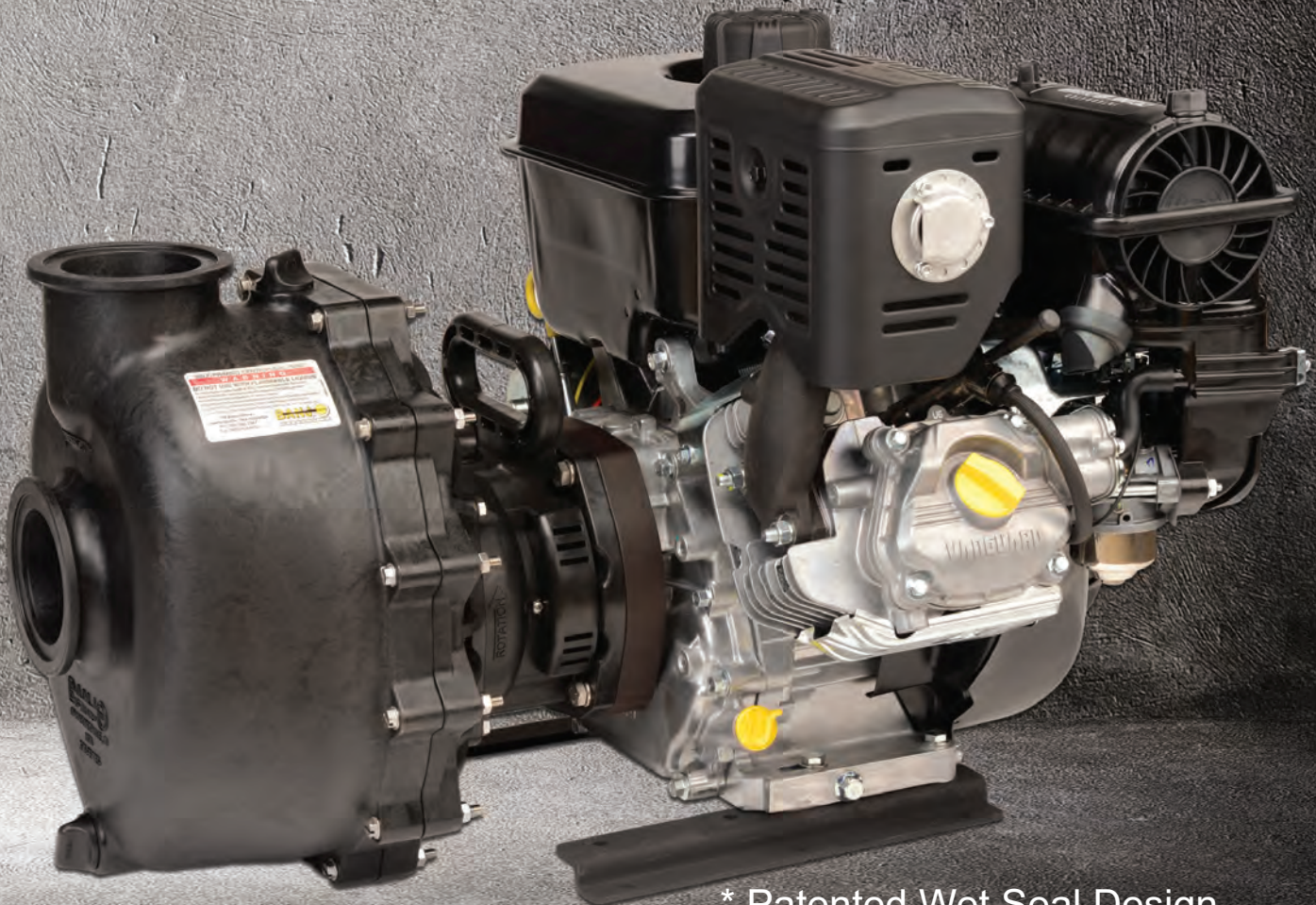
NEW & RETURNING	3-6
VALVES	7-18
ELECTRIC VALVES	19-24
MANIFOLD FLANGE CONNECTIONS	25-52
DRY DISCONNECTS	53-63
IBC/TANK ACCESSORIES	64-72
CAM LEVER COUPLINGS	73-77
PIPE FITTINGS	78-83
LINE STRAINERS	84-95
CENTRIFUGAL PUMPS	96-155
REFERENCE	156-168

INTRODUCING

A **NEW** STANDARD  
FOR **AGRICULTURAL**  
TRANSFER PUMPS

**500+ gallons per minute**

**No Leaks. No Wear. No Worries.**



\* Patented Wet Seal Design

# NEW PRODUCTS



## 3" POLY MANIFOLD WET SEAL PUMP ONLYS

PART NO	DESCRIPTION	HP	QTY	SKID QTY
M350POW	3" POLY MANIFOLD WET SEAL PUMP ONLY FOR 1" SHAFT GAS ENGINES	N/A	1	27
M350PEOW	3" POLY MANIFOLD WET SEAL PUMP ONLY FOR ELECTRIC MOTOR	N/A	1	27



## 3" POLY MANIFOLD WET SEAL PUMP W/HYDRAULIC

PART NO	DESCRIPTION	HP	QTY	SKID QTY
M350PHYW	3" POLY MANIFOLD WET SEAL PUMP W/HYDRAULIC PEDESTAL (NO MOTOR)	N/A	1	12
M350PHAW	3" POLY MANIFOLD WET SEAL PUMP ONLY FOR HYDRAULIC MOTOR	N/A	1	12



## 3" POLY WET SEAL BEARING PEDESTAL

PART NO	DESCRIPTION	HP	QTY	SKID QTY
M350PBW	3" POLY WET SEAL BEARING PEDESTAL W/ 1" SHAFT & 5 VANE IMPELLER	N/A	1	12



## 4" PLUMBING FITTINGS

PART NO	DESCRIPTION	QTY
M300400A	3" Manifold x 4" Male Coupler	1
M300400BRB	3" Manifold x 4" Hose Barb	1

# NEW PRODUCTS



## 3" POLY MANIFOLD WET SEAL PUMPS W/GAS ENGINES

PART NO	DESCRIPTION	HP	QTY	SKID QTY
M350PVAN14W	3" POLY MANIFOLD WET SEAL PUMP W/14 HP VANGUARD® ENGINE	14	1	6
M350PH13W	3" POLY MANIFOLD WET SEAL PUMP W/13 HP HONDA® ENGINE	13	1	6



## 3" POLY MANIFOLD WET SEAL PUMP W/ELECTRIC MOTOR

PART NO	DESCRIPTION	HP	QTY	SKID QTY
M350PE15W	3" POLY MANIFOLD WET SEAL PUMP W/15 HP ELECTRIC MOTOR	N/A	1	1

**COMING 2024**



## 1" POLY DRY-FITS

PART NO	DESCRIPTION	MAX PSI	PIPE SIZE	OPENING THRU BALL	QTY
DF100A	1" MALE X FPT NPT W/FKM SEALS	100	1"	1"	1
DF100D	1" FEMALE X FPT NPT W/FKM SEALS	100	1"	1"	1

## M350 MANIFOLD POLY WET SEAL PUMPS

### FEATURES

- 500+ Gallons per Minute
- Polymer components molded from polypropylene
- EPDM seals
- All stainless steel hardware
- Patented tandem wet seal design produces less wear and prevents seal breakage from high pressure clean out
- Eliminates eight leak points
- Works with natural system pressure to keep seal intact
- No exposed moving parts
- Typical operating speed: 3600 RPM
- Run dry capability of greater than one hour.
- Capable of handling occasional solid particles in suspension up to ½" in diameter.
- Maximum self-priming height 25 ft (7.6 m)
- Engine warranty service available at authorized dealers
- See pages 39-45 on manifold fittings for easy plumbing.

## 1" POLY DRY-FIT

### FEATURES

- Double poly-ball valves with integrated quick disconnect.
- 1" full-port (unrestricted flow)
- Allows high pressures and flow
- Economical and simpler design without handle locking feature
- 90% less spillage vs. 2 standard valves connected via a coupling.



# RETURNING PRODUCTS

AVAILABLE NOW

## VALVE REPAIR KITS & HANDLES

PART NO	DESCRIPTION	QTY
V20200	KIT FOR V125FP, V150, V200	1
V40200	KIT FOR V400	1
V20353TS	T HANDLE FOR V125SL, V150SL	1
VS30200	KIT FOR MVSF300, MVSMT300, MVS300CF	1
V25200BL	KIT FOR MV220BL	1

## 2" POLY DRY-MATES

PART NO	DESCRIPTION	MAX PSI	PIPE SIZE	OPENING THRU BALL	QTY
DM200AT	2" MALE X FPT NPT W/KALREZ® SEALS	100	2"	1½"	1
DM200DT	2" FEMALE X FPT NPT W/KALREZ® SEALS	100	2"	1½"	1

## GASKETS

PART NO	DESCRIPTION	HOLE SIZE	FITS POLY	FITS SS	LOT QTY
TF100G	1" & ¼" POLY BULKHEAD EPDM GASKET	2¼"	TF100 & TF125	TF100SS & TF125SS	25
TF100GV	1" & ¼" POLY BULKHEAD FKM GASKET	2¼"	TF100 & TF125	TF100SS & TF125SS	10

## PIPE FITTINGS

PART NO	DESCRIPTION	MAX PSI	LOT QTY
CR025	¼" POLY CROSS	300	10/BAG
CR038	⅜" POLY CROSS	300	10/BAG
HB038-025	⅜" MALE THREAD X ¼" HOSE BARB	300	10/BAG
HBF100-90	1" FEMALE THREAD X 1" 90 HOSE BARB	300	10/BAG
HBT025	¼" HOSE BARB TEE	300	10/BAG
HBT050-038	½" X ⅜" HOSE BARB TEE	300	10/BAG
RB050-018	½" MNPT X ⅛" FNPT REDUCER BUSHING	300	10/BAG
RB100-018	1" MNPT X ⅛" FNPT REDUCER BUSHING	300	10/BAG
RB125-038	1" X ⅜" FPT REDUCING BUSHING	300	10/BAG

## 1½" LSQ STRAINERS

PART NO	DESCRIPTION	MAX PSI	LOT QTY
LSS300-C	3" Stainless Steel Line Cap	N/A	1
LST220SS	20 MESH SS SCREEN	N/A	1
LSQ150-B/C	1½" X 1½" LSQ STRAINER BODY/CAP	N/A	1
LSQ200-GV	2" FKM GASKET	N/A	1

## 2" POLY PUMP W/GAS ENGINES

PART NO	DESCRIPTION	HP	QTY	SKID QTY
12049F	HYDRAULIC PEDESTAL HOUSING	N/A	1	N/A
17049A	HYDRAULIC ADAPTER	N/A	1	N/A
333POICF	3" CAST IRON PUMP ONLY W/1⅜" SHAFT & 5 VANE IMPELLER UNASSEMBLED FOR 215TC FRAME	N/A	1	6

## EASY-FILL™ VALVES

### FEATURES

- Eliminates multiple fittings for fill applications
- Available in 2" and 3" sizes
- Full flow (full port) design
- Stubby valve configuration reduces profile
- Extended coupler prevents handle interference



### EASY-FILL™ VALVES

PART NO	DESCRIPTION	MAX PSI	LOT QTY
VSBB204FP	2" FULL PORT EASY-FILL™ VALVE	150	2/BOX
VSBB205FP	2" FULL PORT EASY-FILL™ VALVE W/CARRY HANDLE	150	4/BOX
VSBB304FP	3" FULL PORT EASY-FILL™ VALVE	150	2/BOX
VSBB305FP	3" FULL PORT EASY-FILL™ VALVE W/CARRY HANDLE	150	4/BOX
H25053	2" & 3" CARRY HANDLE	N/A	1

# VALVES

## 1/4" -1" POLY MICRO VALVES

### FEATURES

- 90° rotating handle
- 90° locking, rotating handle (with asterisk \*)
- Precision molded polypropylene is reinforced with fiberglass for additional strength.
- Standard FKM seats and O-Rings

**JG John Guest® Fitting**

The brand "John Guest" is a registered trademark of John Guest International Limited.



### MICRO VALVES

PART NO	DESCRIPTION	MAX PSI	THREAD SIZE	OPENING THRU BALL	LOT QTY
LV025V	1/4" FEMALE NPT MICRO VALVE	300	1/4"	3/8"	10
LV038V	3/8" FEMALE NPT MICRO VALVE	300	3/8"	3/8"	10
LV050V	1/2" FEMALE NPT MICRO VALVE	300	1/2"	15/32"	10
LV050SLV	1/2" SIDE LOAD MICRO VALVE	300	1/2"	1/2"	10
LV050SLLV*	1/2" SIDE LOAD LOCKING MICRO VALVE	300	1/2"	15/32"	10

### MICRO VALVES

PART NO	DESCRIPTION	MAX PSI	THREAD SIZE	OPENING THRU	LOT QTY
LVHB038V	3/8" HOSE BARB MICRO VALVE	300	3/8"	3/8"	10
LVHB050V	1/2" HOSE BARB MICRO VALVE	300	1/2"	3/8"	10
LVHB075V	3/4" HOSE BARB MICRO VALVE	300	3/4"	15/32"	10

### MICRO VALVES

PART NO	DESCRIPTION	MAX PSI	THREAD SIZE	OPENING THRU BALL	LOT QTY
LV025MTV	1/4" FEMALE X MALE NPT MICRO VALVE	300	1/4"	3/8"	10
LV038MTV	3/8" FEMALE X MALE NPT MICRO VALVE	300	3/8"	3/8"	10
LV038050MTV	3/8" FEMALE X 1/2" MALE NPT MICRO VALVE	300	3/8" x 1/2"	3/8"	10
LV038050MTLV*	3/8" FEMALE X 1/2" MALE NPT LOCKING MICRO VALVE	No Match!	3/8" x 1/2"	3/8"	10
LV050MTV	1/2" FEMALE X MALE NPT MICRO VALVE	300	1/2"	15/32"	10
LV050100MTV	1/2" FEMALE X 1" MALE NPT MICRO VALVE	300	1/2"	15/32"	10
LV050100MTLV*	1/2" FEMALE X 1" MALE NPT LOCKING MICRO VALVE	No Match!	1/2" x 1"	15/32"	10

### MICRO VALVES

PART NO	DESCRIPTION	MAX PSI	THREAD SIZE	OPENING THRU BALL	LOT QTY
LVHB038050MTV	3/8" HOSE BARB X 1/2" MALE NPT MICRO VALVE	300	1/2"	3/8"	10
LVHB075MTV	3/4" HOSE BARB X 3/4" MALE NPT MICRO VALVE	300	3/4"	1/2"	10
LVHB075100MTV	3/4" HOSE BARB X 1" MALE NPT MICRO VALVE	300	1"	15/32"	10
LVHB075100MTLV	3/4" HOSE BARB X 1" MALE NPT LOCKING MICRO VALVE	300	1"	15/32"	10

### MICRO VALVES

PART NO	DESCRIPTION	MAX PSI	THREAD SIZE	OPENING THRU BALL	LOT QTY
LVPL025V	1/4" FEMALE PUSH LOCK MICRO VALVE	300	1/4"	3/8"	10
LVPL038V	3/8" FEMALE PUSH LOCK MICRO VALVE	150	3/8"	3/8"	10



## 1/2" - 2" 4 BOLTED VALVES



V100FP

V125

V200

### 4 BOLTED VALVES

PART NO	DESCRIPTION	MAX PSI	PIPE SIZE	OPENING THRU	LOT QTY	REPLACEMENT HANDLE	REPAIR KIT
V050	1/2" FULL PORT VALVE	300	1/2"	3/4"	6	V10153A	N/A
V075	3/4" FULL PORT VALVE	300	3/4"	3/4"	12	V10153A	N/A
V100	1" STANDARD PORT VALVE	225	1"	3/4"	12	V10153A	N/A
V100FP	1" FULL PORT VALVE	300	1"	1"	12	V10153A	V10200
V125	1 1/4" STANDARD PORT VALVE	300	1 1/4"	1"	6	V10153A	V10200
V125FP	1 1/4" FULL PORT VALVE	225	1 1/4"	1 1/2"	6	V20153	V20200
V150	1 1/2" FULL PORT VALVE	225	1 1/2"	1 1/2"	6	V20153	V20200
V200	2" STANDARD PORT VALVE	225	2"	1 1/2"	12	V20153	V20200

### FEATURES

- FKM seals.
- Precision molded polypropylene is reinforced with fiberglass for additional strength.
- Self-aligning ball moves freely against the PTFE seats for smooth operation. The valve opens and closes with very little pressure on the handle.
- Ball is diamond turned, after molding, to make it spherically perfect, which provides precise contact between ball and seats.
- PTFE self-lubricating stem bushings and seats cannot stick or bind.
- Stainless steel bolts.

### REPAIR KIT INCLUDES:

- Ball
- Body gasket
- Thrust washer
- Ball seats
- Upper stem bushing
- Stem o-ring

## VALVE ACCESSORIES



V25270

V25271

### VALVE ACCESSORIES

PART NO	DESCRIPTION	FITS VALVES	LOT QTY
VL20153	LOCKING DEVICE	V125, V150, V200	1
V10270	STRAIGHT MOUNTING BRACKET	V100FP, V125	1
V10271	90° MOUNTING BRACKET	V100FP, V125	1
V25270	STRAIGHT MOUNTING BRACKET	V125FP, V150, V200	1
V25271	90° MOUNTING BRACKET	V125FP, V150, V200	1
V10153138	1" X 1 3/8" HANDLE OFFSET	V100FP, V125	1
V20153138	2" FP X 1 3/8" HANDLE OFFSET	V125FP, V150, V200	10
V25153138	2" FP X 1 3/8" HANDLE OFFSET	V200FP	1

### FEATURES

- 304 stainless steel construction
- Installs under valve handle
- Comes complete with handle and locking device
- Padlock not included



# VALVES

## 2"-4" 6 BOLTED VALVES

### FEATURES

- FKM seals.
- Precision molded polypropylene is reinforced with fiberglass for additional strength.
- Self-aligning ball moves freely against the PTFE seats for smooth operation. The valve opens and closes with very little pressure on the handle.
- Ball is diamond turned, after molding, to make it spherically perfect, which provides precise contact between ball and seats.
- PTFE self-lubricating stem bushings and seats cannot stick or bind.
- Stainless steel bolts.

### REPAIR KIT INCLUDES:

- Ball
- Body gasket
- Thrust washer
- Ball seats
- Upper stem bushing
- Stem o-ring



### 6 BOLTED VALVES

PART NO	DESCRIPTION	MAX PSI	PIPE SIZE	OPENING THRU BALL	LOT QTY	REPLACEMENT HANDLE	REPAIR KIT
V200FP	2" FULL PORT VALVE	225	2"	2"	8/BOX	V25153	V25200
VFMT200FP	2" FULL PORT VALVE W/ F ADAPTER	225	2"	2"	6/BOX	V25153	V25200
V300	3" STANDARD PORT VALVE	225	3"	2½"	8/BOX	V25153	V30200
V300FP	3" FULL PORT VALVE	200	3"	3"	6/BOX	V25153	V35200
V400	4" STANDARD PORT VALVE	100	4"	3½"	4/BOX	V25153	V40200

## VALVE ACCESSORIES

### FEATURES

- Stainless steel hardware
- Locks in open and closed positions
- Locking handle replaces standard handle (sold separately)
- Padlock not included



### VALVE ACCESSORIES

PART NO	DESCRIPTION	FITS VALVES	QTY
VL25153	LOCKING HANDLE	V200FP, V300, V300FP, V400, VFMT200FP	1
V25270	STRAIGHT MOUNTING BRACKET	V200FP, V300, V300FP, V400, VFMT200FP	1
V25271	90° MOUNTING BRACKET	V200FP, V300, V300FP, V400, VFMT200FP	1

## 2" FULL PORT 4 BOLTED BALL VALVES



VFMT204FP

V204FP

### 4 BOLTED FULL PORT VALVES

PART NO	DESCRIPTION	MAX PSI	PIPE SIZE	OPENING THRU BALL	LOT QTY	REPLACEMENT HANDLE	REPAIR KIT
VFMT204FP	2" FULL PORT VALVE MALE NPT X MALE ADAPTER	150	2"	2"	6/BOX	V25153	V25200
V204FP	2" FULL PORT VALVE	150	2"	2"	8/BOX	V25153	V25200

### FEATURES

- FKM seals
- Stainless steel bolts
- PTFE self-lubricating stem bushings and seats cannot stick or bind
- Precision molded in fiberglass reinforced polypropylene
- Self-aligning ball moves freely against the PTFE seats for smoother operation
- Valve opens and closes with very little pressure on the handle
- Ball is diamond turned after molding to make it spherically perfect, which provides precise contact between ball and seats

### REPAIR KIT INCLUDES:

- Ball
- Body gasket
- Thrust washer
- Ball seats
- Upper stem bushing
- Stem o-ring

## 2" FULL PORT ANSI FLANGE BOLTED BALL VALVES



VSF200FFAF

### FULL PORT ANSI FLANGE BOLTED VALVES

PART NO	DESCRIPTION	MAX PSI	PIPE SIZE	OPENING THRU BALL	LOT QTY	REPLACEMENT HANDLE	REPAIR KIT
VSF200FFAF	2" FULL PORT VALVE MALE ADAPTER X 2" ANSI FLANGE	200	2"	2"	6/BOX	V25153SH	VS25200

### FEATURES

- 100% PTFE seats
- FKM seals
- Glass-filled polypropylene
- Unique compact design
- Lightweight
- Gaskets featured on page 73

### REPAIR KIT INCLUDES:

- Ball
- Body gasket
- Thrust washer
- Ball seats
- Upper stem bushing
- Stem o-ring

# VALVES

## 2" STANDARD PORT STUBBY BALL VALVES

### FEATURES

- Stainless steel bolts
- Glass reinforced polypropylene
- Multiple design options
- Unique patented compact design
- Lightweight
- All PTFE seals



VSF200



VSMT200



VSFMT200



VSFHB200

### 2" STANDARD PORT STUBBY VALVES

PART NO	DESCRIPTION	MAX PSI	PIPE SIZE	OPENING THRU BALL	LOT QTY	REPLACEMENT HANDLE
VSF200	2" MALE ADAPTER X 2" FEMALE NPT	100	2"	1½"	6	VS20152SH
VSMT200	2" MALE NPT X 2" FEMALE NPT	100	2"	1½"	6	VS20152SH
VSFMT200	2" MALE ADAPTER X 2" MALE NPT	225	2"	1½"	12	VS20152SH
VSFHB200	2" MALE ADAPTER X 2" HOSE BARB	100	2"	1½"	6	VS20152SH

## 2" FULL PORT STUBBY BALL VALVES



VSMT204FP



VSF204FP



VS204FP



VSFMT204FP



VSFMT204HSFP

### FEATURES

- Stainless steel bolts
- 100% PTFE ball seats
- Glass reinforced polypropylene
- Unique patented compact design
- Lightweight
- FKM body seals

### REPAIR KIT INCLUDES:

- Ball
- Body gasket
- Thrust washer
- Ball seats
- Upper stem bushing
- Stem o-ring

### 2" FULL PORT STUBBY VALVES

PART NO	DESCRIPTION	MAX PSI	PIPE SIZE	OPENING THRU BALL	LOT QTY	REPLACEMENT HANDLE	REPAIR KIT
VSMT204FP	2" MALE NPT X 2" FEMALE NPT	200	2"	2"	6	VS25153	VS25200
VSF204FP	2" MALE ADAPTER X 2" FEMALE NPT	100	2"	2"	6	VS25153	VS25200
VS204FP	2" FEMALE NPT X 2" FEMALE NPT	225	2"	2"	6	VS25153	VS25200
VSFMT204FP	2" MALE ADAPTER X 2" MALE NPT	150	2"	2"	6	VS25153	VS25200
VSFMT204HSFP	2" FP MALE ADAPTER X 2" MALE NPT W/ SS BALL, STEM & HANDLE	150	2"	2"	6	N/A	VSSH25200

# VALVES

## 3" STANDARD PORT STUBBY BALL VALVES

### FEATURES

- Stainless steel bolts
- Glass reinforced polypropylene
- FKM body seals
- Unique patented compact design
- Lightweight
- All PTFE seats
- Note: If repair kits not listed, components available.



### 3" STANDARD PORT STUBBY VALVES

PART NO	DESCRIPTION	MAX PSI	PIPE SIZE	OPENING THRU BALL	LOT QTY	REPLACEMENT HANDLE STRAIGHT	REPLACEMENT HANDLE SHORT
VSF300	3" FEMALE NPT X 3" MALE ADAPTER	100	3"	2½"	6/BOX	V25153	V25153SH
VSMT300	3" FEMALE NPT X 3" MALE NPT	100	3"	2½"	6/BOX	V25153	V25153SH
VSFMT300	3" MALE NPT X 3" MALE ADAPTER	225	3"	2½"	6/BOX	V25153	V25153SH

## 3" FULL PORT STUBBY BALL VALVES

### FEATURES

- Stainless steel bolts
- Glass reinforced polypropylene
- FKM body seals
- Unique patented compact design
- Lightweight
- All PTFE ball seats
- Note: If repair kits not listed, components available.



### 3" FULL PORT STUBBY VALVES

PART NO	DESCRIPTION	MAX PSI	PIPE SIZE	OPENING THRU BALL	LOT QTY	REPLACEMENT HANDLE
VSFMT300FP	3" FULL PORT MALE ADAPTER X 3" MALE NPT	100	3"	3"	6/BOX	V25153
VSFMT300HSFP	3" FULL PORT MALE ADAPTER X 3" MALE NPT W/SS BALL, STEM & HANDLE	100	3"	3"	6/BOX	VS30153SS

## 3 WAY BOTTOM LOAD BALL VALVES



### FEATURES

- Stainless steel bolts
- Precision molded in fiberglass reinforced polypropylene for additional strength
- Self-aligning ball moves freely against the PTFE seats for smooth operation
- Ball is diamond turned after molding to make it spherically perfect, which provides precise contact between ball and seats
- PTFE self-lubricating stem bushings and seats
- FKM body seals
- Directional flow, right or left. Valve can be turned off to stop flow

### 3 WAY BOTTOM LOAD VALVES

PART NO	DESCRIPTION	MAX PSI	PIPE SIZE	OPENING THRU BALL	LOT QTY	HANDLE TYPE	REPLACEMENT HANDLE
V075BL	¾" 3-WAY BOTTOM LOAD VALVE	200	¾"	1"	6	T	N/A
V100BL	1" FP 3-WAY BOTTOM LOAD VALVE	225	1"	1"	6	T	N/A
V125BL	1¼" 3-WAY BOTTOM LOAD VALVE	300	1¼"	1½"	6	T	V20353TB
V150BL	1½" FP 3-WAY BOTTOM LOAD VALVE	225	1½"	1½"	6	T	V20353TB
V200BL	2" FP 3-WAY BOTTOM LOAD VALVE	200	2"	2"	8/BOX	STRAIGHT	V25353B

## 3 WAY SIDE LOAD BALL VALVES



### FEATURES

- Stainless steel bolts
- Precision molded in fiberglass reinforced polypropylene for additional strength
- Self-aligning ball moves freely against the PTFE seats for smooth operation
- Ball is diamond turned after molding to make it spherically perfect, which provides precise contact between ball and seats
- PTFE self-lubricating stem bushings and seats
- FKM body seals
- Directional flow, right or left. Valve cannot be turned off to stop flow

### 3 WAY SIDE LOAD VALVES

PART NO	DESCRIPTION	MAX PSI	PIPE SIZE	OPENING THRU BALL	LOT QTY	HANDLE TYPE	REPLACEMENT HANDLE	REPAIR KIT
V075SL	¾" 3-WAY SIDE LOAD VALVE	200	¾"	1"	6	STRAIGHT	V10153A	V10300SL
V100SL	1" FP 3-WAY SIDE LOAD VALVE	200	1"	1"	6	STRAIGHT	V10153A	V10300SL
V125SL	1¼" 3-WAY SIDE LOAD VALVE	300	1¼"	1½"	6	T	V20353TS	V15300SL
V150SL	1½" FP 3-WAY SIDE LOAD VALVE	225	1½"	1½"	6	T	V20353TS	V15300SL
V200SL	2" FP 3-WAY SIDE LOAD VALVE	225	2"	2"	8/BOX	STRAIGHT	V25153SH	V25200BL

# VALVES

## 1½" - 2" NOZZLE VALVES

### FEATURES

- Lightweight hose end valve for convenient transfer of liquids into drums, tanks etc
- Angled end flange with 8" long polypropylene fill spout
- All stainless steel bolts



VA150



VA200FP

### 1½"-2" NOZZLE VALVES

PART NO	DESCRIPTION	MAX PSI	PIPE SIZE	OPENING THRU BALL	FEMALE NPT	LOT QTY	REPLACEMENT HANDLE	REPAIR KIT
VA150	1½" NOZZLE VALVE WITH 90° ELBOW	225	1½" x 8"	1½"	1½"	6	V20152	N/A
VA200	2" NOZZLE VALVE WITH 90° ELBOW	200	2" x 8"	1½"	2"	6	V20152	N/A
VA200FP	2" FP NOZZLE VALVE WITH 90° ELBOW	225	2" x 8"	2"	2"	6/BOX	V25152	V25200

## 1" DISPENSING NOZZLES

### FEATURES

- Glass reinforced polypropylene
- 304 stainless steel handle, spring and pin
- FKM rubber parts only
- Resists corrosion



VN100



V10161

### 1" DISPENSING NOZZLE

PART NO	DESCRIPTION	MAX PSI	PIPE SIZE	OPENING THRU BALL	FEMALE NPT	QTY	REPAIR KIT
VN100	1" DISPENSING NOZZLE	150	1"	N/A	1"	1	VN10200
V10161	1" NOZZLE PIPE FOR USE WITH V100, V100FP, UV100FP, SUV100FP	N/A	1"	N/A	1"	1	N/A



## 1/2" - 2" SINGLE UNION SPINWELD VALVES



SUV125FP



MSUV100FP

### 1/2"-2" SINGLE UNION SPINWELD VALVES

PART NO	DESCRIPTION	MAX PSI	PIPE SIZE	OPENING THRU BALL	LOT QTY
SUV050FP	1/2" FULL PORT SINGLE UNION SPINWELD VALVE	300	1/2"	1/2"	10
SUV075FP	3/4" FULL PORT SINGLE UNION SPINWELD VALVE	300	3/4"	3/4"	10
SUV100FP	1" FULL PORT SINGLE UNION SPINWELD VALVE	300	1"	1"	10
SUV125FP	1 1/4" FULL PORT SINGLE UNION SPINWELD VALVE	300	1 1/4"	1 1/4"	10
SUV150FP	1 1/2" FULL PORT SINGLE UNION SPINWELD VALVE	300	1 1/2"	1 1/2"	10
SUV200FP	2" FULL PORT SINGLE UNION SPINWELD VALVE	200	2"	2"	10
MSUV100FP	1" MANIFOLD FULL PORT SINGLE UNION SPINWELD VALVE	300		1"	10

### FEATURES

- Precision molded in glass reinforced polypropylene for strength and chemical resistance
- PTFE seats for smooth and proper sealing characteristics
- EPDM O-rings to handle most fertilizers and many chemicals
- Double O-rings in stem area for extra sealing protection
- Interlocking body and end plate to allow easy thread connection when installing valves

## 1/2" - 2" SINGLE UNION VALVES



### 1/2"-2" SINGLE UNION VALVES

PART NO	DESCRIPTION	MAX PSI	PIPE SIZE	OPENING THRU BALL	LOT QTY
UV050FP	1/2" FULL PORT SINGLE UNION VALVE	300	1/2"	3/4"	10
UV075FP	3/4" FULL PORT SINGLE UNION VALVE	300	3/4"	3/4"	10
UV100FP	1" FULL PORT SINGLE UNION VALVE	300	1"	1"	10
UV125FP	1 1/4" FULL PORT SINGLE UNION VALVE	225	1 1/4"	1 1/4"	10
UV150FP	1 1/2" FULL PORT SINGLE UNION VALVE	200	1 1/2"	1 1/2"	10
UV200FP	2" FULL PORT SINGLE UNION VALVE	300	2"	2"	10

### FEATURES

- Precision molded in glass reinforced polypropylene for strength and chemical resistance
- PTFE seats for smooth and proper sealing characteristics
- Double O-rings in stem area for extra sealing protection
- Interlocking body and end plate to allow easy thread connection when installing valves

# VALVES

## 1/2" - 3" CHECK VALVES

### FEATURES

- One piece construction
- Glass reinforced polypropylene
- 316 stainless steel springs
- EPDM gasket



### 1/2"-3" CHECK VALVES

PART NO	DESCRIPTION	OPENING PRESSURE PSI	MAX PSI	PIPE SIZE	LOT QTY
CV050	1/2" CHECK VALVE	6-7	300	1/2"	10
CV100MT	1" MALE X FEMALE NPT CHECK VALVE	1	300	1"	10
CV100	1" CHECK VALVE	1	300	1"	10
CV221	2" FULL PORT CHECK VALVE	>0.5	300	2"	10
CV300	3" FULL PORT CHECK VALVE W/ 5 LB SPRING	1.5	300	3"	1
CV301	3" FULL PORT CHECK VALVE W/1/2 LB SPRING	>0.5	N/A	3"	1

## 1/4" - 3" STAINLESS STEEL FULL PORT VALVES

### FEATURES

- 316 stainless steel
- Blow out proof stem
- All valves 100% tested by air, under water at 100 PSI in open and closed positions
- Latch locking handle performs in both open and closed positions
- Mounting pad
- PTFE seals and seats



### 1/4"-3" STAINLESS STEEL FULL PORT VALVES

PART NO	DESCRIPTION	MAX PSI	PIPE SIZE	OPENING THRU BALL	QTY	REPAIR KIT
VSS025	1/4" SS FULL PORT VALVE	1000	1/4"	1/4"	1	VSS02500
VSS038	3/8" SS FULL PORT VALVE	1000	3/8"	3/8"	1	VSS02500
VSS050	1/2" SS FULL PORT VALVE	1000	1/2"	1/2"	1	VSS05200
VSS075	3/4" SS FULL PORT VALVE	1000	3/4"	3/4"	1	VSS07200
VSS100	1" SS FULL PORT VALVE	1000	1"	1"	1	VSS10200
VSS150	1 1/2" SS FULL PORT VALVE	1000	1 1/2"	1 1/2"	1	VSS15200
VSS200	2" SS FULL PORT VALVE	1000	2"	2"	1	VSS25200
VSS300	3" SS FULL PORT VALVE	1000	3"	3"	1	VSS35200

## 3/4" - 1" PINCH VALVES

### FEATURES

- Open position allows full unobstructed flow of 50-60 GPM
- Air pressure collapses the internal rubber sleeve to provide positive shut off
- Standard EPDM rubber bladder seal and FKM available
- Female NPT threads
- ATTENTION: Normally an open valve and has a maximum liquid pressure of 70 PSI. Pressure differential = pressure it takes to close valve



### 3/4"-1" PINCH VALVES

PART NO	DESCRIPTION	GASKET	MAX PSI	PIPE SIZE	PRESSURE DIFFERENTIAL	LOT QTY
PV075	3/4" X 3/4" PINCH VALVE	EPDM	300	3/4"	15 TO 20 PSI	10
PV100	1" X 1" PINCH VALVE	EPDM	300	1"	15 TO 20 PSI	1
PV100-075	1" X 3/4" PINCH VALVE	EPDM	300	1" X 3/4"	15 TO 20 PSI	10
PV100-075V	1" X 3/4" PINCH VALVE	FKM	300	1" X 3/4"	15 TO 20 PSI	1
PV10265	BLADDER	EPDM	N/A			1
PV10265V	BLADDER	FKM	N/A			1

# ELECTRIC VALVES



### SMALLER

- EVX 2" full port and 3" models are over 35% smaller than the average competitive valve. The 1½", 2" full port and 3" models are also substantially lighter than the average competitive valve.

### SMARTER

- EVX offers many protocol options for your needs:
  - On/Off
  - Regulating
  - Regulating with linear feedback
  - CAN/ISO BUS
  - Proportional control
- Diagnostic options for CANBUS
  - Voltage
  - Temperature
  - Cycle Count

### TOUGHER

- Setting the new standard for electric valve toughness, EVX passes 52 separate durability torture tests including mechanical shock, vibration, extreme temperature, rain/shine, operating pressure, and rigorous longevity tests.



**SMALLER / SMARTER / TOUGHER**

# ELECTRIC VALVES

## 3/4" - 1 1/2" EVX SERIES

### FEATURES

- 12-volt DC operated
- 24-volt available
- Open/closed indicator
- 3/4"-1 1/4" ON/OFF has 3/4 sec response
- 1 1/2" ON/OFF has 1 1/2 sec response
- Regulating has 4 sec response
- Open/Close verification wires available
- IP68 waterproof
- -0 to 150F (-18 to 65C) operating
- -67 to 221F (-55 to 105C) storage
- On/Off Actuator rated to 500,000 cycles
- Regulating Actuator rated to 250,000 cycles
- Valve rated to 50,000 cycles leak-free
- Bolted valves have the same exact dimensions as our legacy EV valves.
- Additional protocols available including CAN/ISO BUS & Proportional Control

### MATERIALS

- 316 stainless steel ball & stem
- Poly ball available
- Stainless steel hardware
- Fiberglass reinforced polypropylene
- PTFE seats
- FKM stem seals

### ON/OFF

- Red = +12V DC
- Black = Ground
- White = +12VDC (Open)  
0VDC (Close)

### 4 WIRE REGULATING

- Red = +12V DC (Open)
- White = Ground (Open)
- Black = +12V DC (Close)
- Green = Ground (Close)



### 3/4" - 1 1/2" EVX ON/OFF BOLTED ELECTRIC VALVES

PART NO	DESCRIPTION	MAX PSI	PIPE SIZE	OPENING THRU BALL	QTY	OPTIONAL HANDLE KIT	REPAIR KIT
EVX071	3/4" FULL PORT ELECTRIC VALVE	300	3/4"	1"	1	VP20153SH	EVX10200
EVX101	1" FULL PORT ELECTRIC VALVE	300	1"	1"	1	VP20153SH	EVX10200
EVX121	1 1/4" STANDARD PORT ELECTRIC VALVE	300	1 1/4"	1"	1	VP20153SH	EVX10200
EVX151	1 1/2" FULL PORT ELECTRIC VALVE	250	1 1/2"	1 1/2"	1	VP20153SH	EVX20200

### 3/4" - 1 1/2" EVX REGULATING BOLTED ELECTRIC VALVES

PART NO	DESCRIPTION	MAX PSI	PIPE SIZE	OPENING THRU BALL	QTY	OPTIONAL HANDLE KIT	REPAIR KIT
EVXR071	3/4" FULL PORT ELECTRIC VALVE	300	3/4"	1"	1	VP20153SH	EVX10200
EVXR101	1" FULL PORT ELECTRIC VALVE	300	1"	1"	1	VP20153SH	EVX10200
EVXR151	1 1/2" FULL PORT ELECTRIC VALVE	250	1 1/2"	1 1/2"	1	VP20153SH	EVX20200

# ELECTRIC VALVES



## 2" EVX SERIES

### FEATURES

- 12-volt DC operated
- 24-volt available
- Open/closed indicator
- ON/OFF has 1½ second response
- Regulating has 4 second response
- Open/Close verification wires available
- IP68 waterproof
- -0 to 150F (-18 to 65C) operating
- -67 to 221F (-55 to 105C) storage
- On/Off Actuator rated to 500,000 cycles
- Regulating Actuator rated to 250,000 cycles
- Valve rated to 50,000 cycles leak-free
- Bolted valves have the same exact dimensions as our legacy EV valves.
- Additional protocols available including CAN/ISO BUS & Proportional Control

### MATERIALS

- 316 stainless steel ball & stem
- Stainless steel hardware
- Fiberglass reinforced polypropylene
- PTFE seats
- FKM stem seals

### ON/OFF

- Red = +12V DC
- Black = Ground
- White = +12VDC (Open)  
0VDC (Close)

### 4 WIRE REGULATING

- Red = +12V DC (Open)
- White = Ground (Open)
- Black = +12V DC (Close)
- Green = Ground (Close)

## 2" EVX ON/OFF BOLTED ELECTRIC VALVES

PART NO	DESCRIPTION	MAX PSI	PIPE SIZE	OPENING THRU BALL	QTY	OPTIONAL HANDLE KIT	REPAIR KIT
EVX201	2" STANDARD PORT ELECTRIC VALVE	250	2"	1½"	1	VP20153	EVX20200
EVX221	2" FULL PORT ELECTRIC VALVE	125	2"	2"	1	VP20153	EVX25200

## 2" EVX REGULATING BOLTED ELECTRIC VALVES

PART NO	DESCRIPTION	MAX PSI	PIPE SIZE	OPENING THRU BALL	QTY	OPTIONAL HANDLE KIT	REPAIR KIT
EVXR201	2" STANDARD PORT ELECTRIC VALVE	250	2"	1½"	1	VP20153	EVX20200
EVXR221	2" FULL PORT ELECTRIC VALVE	125	2"	2"	1	VP20153	EVX25200

# ELECTRIC VALVES

## 3" EVX SERIES

### FEATURES

- 12-volt DC operated
- 24-volt available
- Open/closed indicator
- ON/OFF has 4 second response
- Regulating has 4 second response
- Open / Close verification available
- IP68 waterproof
- -0 to 150F (-18 to 65C) operating
- -67 to 221F (-55 to 105C) storage
- Actuator rated to 250,000 cycles
- Valve rated to 50,000 cycles leak-free
- Additional protocols available including CAN/ISO BUS & Proportional Control

### MATERIALS

- 316 stainless steel ball & stem
- Stainless steel hardware
- Fiberglass reinforced polypropylene
- Zinc alloy lower actuator housing
- PTFE seats
- FKM stem seals

### ON/OFF

- Red = +12V DC
- Black = Ground
- White = +12VDC (Open)  
0VDC (Close)

### 4 WIRE REGULATING

- Red = +12V DC (Open)
- White = Ground (Open)
- Black = +12V DC (Close)
- Green = Ground (Close)



### 3" EVX ON/OFF ELECTRIC VALVES

PART NO	DESCRIPTION	MAX PSI	PIPE SIZE	OPENING THRU BALL	QTY	OPTIONAL HANDLE KIT
EVX300	3" FULL PORT ELECTRIC VALVE	125	3"	3"	1	VP30153

### 3" EVX REGULATING ELECTRIC VALVES

PART NO	DESCRIPTION	MAX PSI	PIPE SIZE	OPENING THRU BALL	QTY	OPTIONAL HANDLE KIT
EVXR300	3" FULL PORT ELECTRIC VALVE	125	3"	3"	1	VP30153

# ELECTRIC VALVES

## 3/4" - 2" EVX SERIES BOTTOM & SIDE LOAD VALVES



### FEATURES

- 12-volt DC operated
- 24-volt available
- Open/closed indicator
- 1" & 1 1/4" ON/OFF has 3/4 second response
- 1 1/2" & 2" ON/OFF has 1 1/2" second response
- Open / Close verification available
- IP68 waterproof
- -0 to 150F (-18 to 65C) operating
- -67 to 221F (-55 to 105C) storage
- On/Off Actuator rated to 500,000 cycles
- Valve rated to 50,000 cycles leak-free
- These bolted valves have the exact same dimensions as our legacy EV valves.
- Additional protocols available including CAN/ISO BUS & Proportional Control

### MATERIALS

- 316 stainless steel ball & stem
- Stainless steel hardware
- Fiberglass reinforced polypropylene
- PTFE seats
- FKM stem seals

### ON/OFF

- Red = +12V DC
- Black = Ground
- White = +12VDC (Open)  
0VDC (Close)

### 4 WIRE REGULATING

- Red = +12V DC (Open)
- White = Ground (Open)
- Black = +12V DC (Close)
- Green = Ground (Close)

### 3/4"-2" EVX BOLTED BOTTOM LOAD ELECTRIC VALVES

PART NO	DESCRIPTION	MAX PSI	PIPE SIZE	OPENING THRU BALL	QTY	OPTIONAL HANDLE KIT	REPAIR KIT
EVX075BL	3/4" FULL PORT BOTTOM LOAD ELECTRIC VALVE	300	3/4"	1"	1	VP20153SH	EVX10200
EVX100BL	1" FULL PORT BOTTOM LOAD ELECTRIC VALVE	300	1"	1"	1	VP20153SH	EVX10200
EVX125BL	1 1/4" FULL PORT SIDE LOAD ELECTRIC VALVE	250	1 1/4"	1"	1	VP20153SH	EVX10200
EVX150BL	1 1/2" FULL PORT SIDE LOAD ELECTRIC VALVE	250	1 1/2"	1 1/2"	1	VP20153SH	EVX20200
EVX200BL	2" STANDARD PORT BOTTOM LOAD ELECTRIC VALVE	250	2"	1 1/2"	1	VP20153	EVX20200
EVX220BL	2" FULL PORT BOTTOM LOAD ELECTRIC VALVE	125	2"	2"	1	VP20153	EVX25200

### 3/4"-2" EVX BOLTED SIDE LOAD ELECTRIC VALVES

PART NO	DESCRIPTION	MAX PSI	PIPE SIZE	OPENING THRU BALL	QTY	OPTIONAL HANDLE KIT	REPAIR KIT
EVX075SL	3/4" FULL PORT SIDE LOAD ELECTRIC VALVE	300	3/4"	1"	1	VP20153SH	EVX10200
EVX100SL	1" FULL PORT SIDE LOAD ELECTRIC VALVE	300	1"	1"	1	VP20153SH	EVX10200
EVX125SL	1 1/4" FULL PORT SIDE LOAD ELECTRIC VALVE	250	1 1/4"	1"	1	VP20153SH	EVX10200
EVX150SL	1 1/2" FULL PORT SIDE LOAD ELECTRIC VALVE	250	1 1/2"	1 1/2"	1	VP20153SH	EVX20200
EVX200SL	2" STANDARD PORT SIDE LOAD ELECTRIC VALVE	250	2"	1 1/2"	1	VP20153	EVX20200
EVX220SL	2" FULL PORT SIDE LOAD ELECTRIC VALVE	125	2"	2"	1	VP20153	EVX25200

# ELECTRIC VALVES

## 3/8" - 1/2" LEV SERIES

### FEATURES

- 12 Volt DC
- Stationary current draw: less than 0.04 amps
- Rotating current draw: less than 0.40 amps
- Stall current: 0.75 amps
- Response time: 1/3 second open to close
- TFM seats
- EPDM seals
- Fiberglass reinforced polypropylene
- Integrated mounting slot
- Standard 3 wire configuration



LEV038



LEV050

### 3/8"-1/2" ON/OFF ELECTRIC VALVES

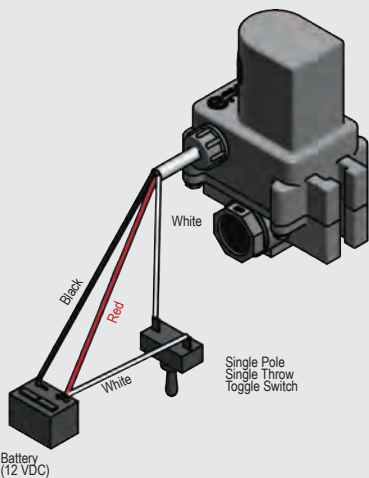
PART NO	DESCRIPTION	MAX PSI	PIPE SIZE	OPENING THRU BALL	QTY
LEV038	3/8" FULL PORT ELECTRIC VALVE	300	3/8"	3/8"	1
LEV050	1/2" ELECTRIC VALVE	300	1/2"	15/32"	1



LEV038PL

### 3/8" ELECTRIC VALVES W/ PUSH LOCK

PART NO	DESCRIPTION	MAX PSI	PIPE SIZE	OPENING THRU BALL	QTY
LEV038PL	3/8" FULL PORT ELECTRIC VALVE W/ PUSH LOCK	150	3/8"	3/8"	1

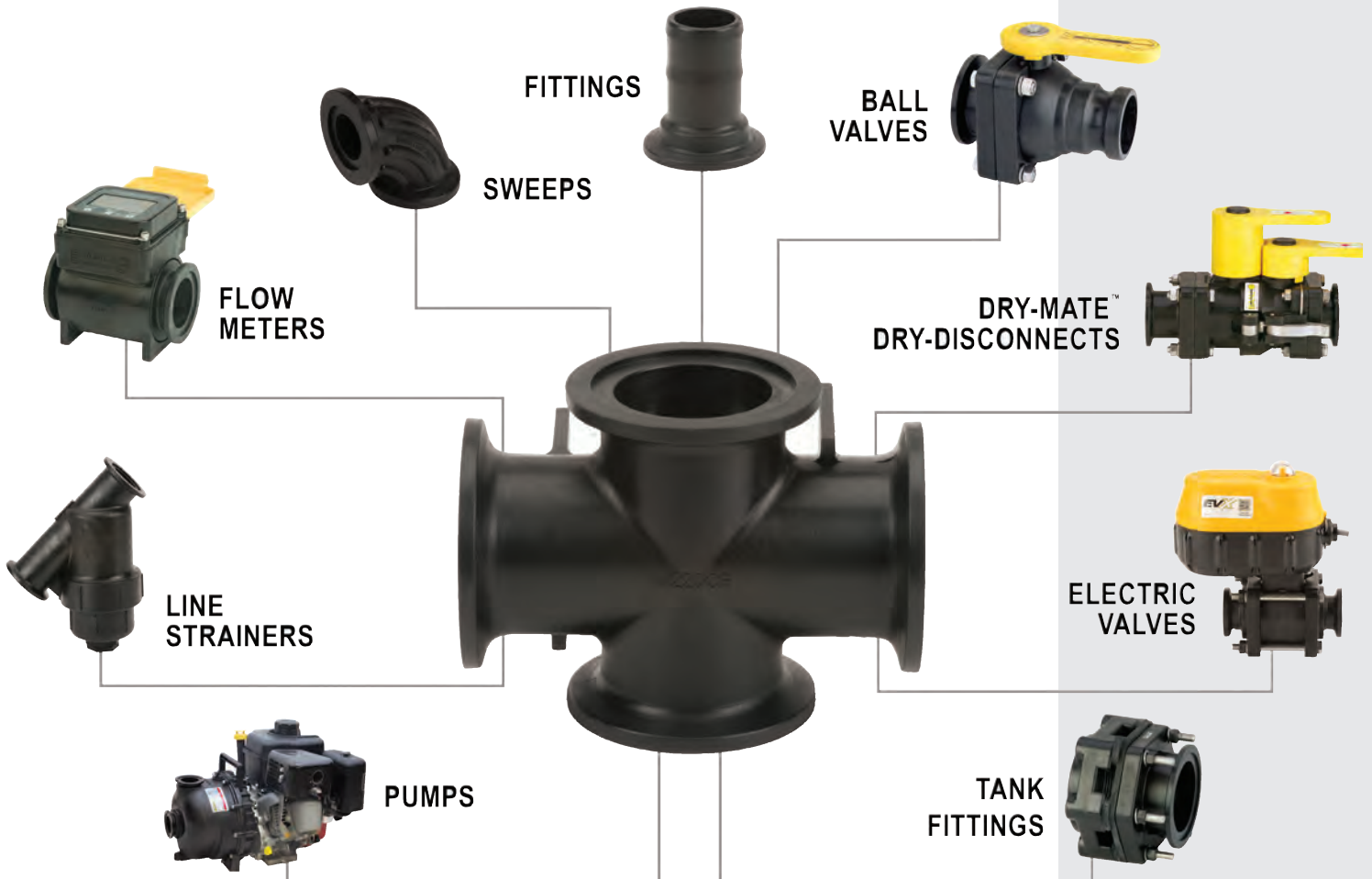




# MANIFOLD FLANGE CONNECTIONS

NO THREADS. NO SWEAT.

FLANGE CONNECTIONS FOR EVERY PRODUCT



## SKIP THE TAPE AND SEALANT

Flange connections utilize clamps instead of threads, facilitating quick and easy assembly and disassembly while ensuring a leak-proof system. Threaded pipe needs tape or sealant, and the slightest imperfection in the pipe or seal can cause a leak. With properly installed flange connections, you won't worry about connection leaks or wait for sealant to cure.

## SAVE TIME. SAVE MONEY.

Time spent unthreading systems and repairing leaks from faulty connections is unproductive and ultimately hits your pocketbook. Banjo's manifold flange systems get you back in the field and out of the shop in no time.

## GET RIGHT TO THE SOURCE

With Banjo manifold flange connections, the days of spending hours unhooking entire systems of valves and fittings are over. You can directly isolate and replace the problematic part or replumb sections without disassembling the whole system.

# MANIFOLD FLANGE CONNECTIONS

## 1" MEVX SERIES

### FEATURES

- 12-volt DC operated
- 24-volt available
- Open/closed indicator
- ON/OFF has 3/4 second response
- Regulating has 4 second response
- Open / Close verification available
- IP68 waterproof
- -0 to 150F (-18 to 65C) operating
- -67 to 221F (-55 to 105C) storage
- On/Off Actuator rated to 500,000 cycles
- Regulating Actuator rated to 250,000 cycles
- Valve rated to 50,000 cycles leak-free
- Bolted valves have the same exact dimensions as our legacy EV valves.
- Additional protocols available including CAN/ISO BUS & Proportional Control

### MATERIALS

- 316 stainless steel ball & stem
- Poly ball available on bolted valves
- Stainless steel hardware
- Fiberglass reinforced polypropylene
- PTFE seats
- FKM stem seals

### ON/OFF

- Red = +12V DC
- Black = Ground
- White = +12VDC (Open)  
0VDC (Close)

### 4 WIRE REGULATING

- Red = +12V DC (Open)
- White = Ground (Open)
- Black = +12V DC (Close)
- Green = Ground (Close)



### 1" MEVX ON/OFF WELDED ELECTRIC VALVES

PART NO	DESCRIPTION	MAX PSI	PIPE SIZE	OPENING THRU BALL	QTY	OPTIONAL HANDLE KIT
MEVX100	1" FULL PORT ELECTRIC VALVE	300	1"	1"	1	VP20153SH

### 1" MEVX REGULATING WELDED ELECTRIC VALVES

PART NO	DESCRIPTION	MAX PSI	PIPE SIZE	OPENING THRU BALL	QTY	OPTIONAL HANDLE KIT
MEVXR100	1" FULL PORT ELECTRIC VALVE	300	1"	1"	1	VP20153SH

### 1" MEVX ON/OFF BOLTED ELECTRIC VALVES

PART NO	DESCRIPTION	MAX PSI	PIPE SIZE	OPENING THRU BALL	QTY	OPTIONAL HANDLE KIT	REPAIR KIT
MEVX101	1" FULL PORT ELECTRIC VALVE	300	1"	1"	1	VP20153SH	EVX10200

### 1" MEVX REGULATING BOLTED ELECTRIC VALVES

PART NO	DESCRIPTION	MAX PSI	PIPE SIZE	OPENING THRU BALL	QTY	OPTIONAL HANDLE KIT	REPAIR KIT
MEVXR101	1" FULL PORT ELECTRIC VALVE	300	1"	1"	1	VP20153SH	EVX10200

# MANIFOLD FLANGE CONNECTIONS



## 2" MEVX SERIES

### FEATURES

- 12-volt DC operated
- 24-volt available
- Open/closed indicator
- ON/OFF has 1½ second response
- Regulating has 4 second response
- Open / Close verification available
- IP68 waterproof
- -0 to 150F (-18 to 65C) operating
- -67 to 221F (-55 to 105C) storage
- On/Off Actuator rated to 500,000 cycles
- Regulating Actuator rated to 250,000 cycles
- Valve rated to 50,000 cycles leak-free
- Bolted valves have the same exact dimensions as our legacy EV valves.
- Additional protocols available including CAN/ISO BUS & Proportional Control

### MATERIALS

- 316 stainless steel ball & stem
- Poly ball available on bolted valves
- Stainless steel hardware
- Fiberglass reinforced polypropylene
- PTFE seats
- FKM stem seals

### ON/OFF

- Red = +12V DC
- Black = Ground
- White = +12VDC (Open)  
0VDC (Close)

### 4 WIRE REGULATING

- Red = +12V DC (Open)
- White = Ground (Open)
- Black = +12V DC (Close)
- Green = Ground (Close)

### 2" MEVX ON/OFF WELDED ELECTRIC VALVES

PART NO	DESCRIPTION	MAX PSI	PIPE SIZE	OPENING THRU BALL	QTY	OPTIONAL HANDLE KIT
MEVX200	2" STANDARD PORT ELECTRIC VALVE	300	2"	1½"	1	VP20153
MEVX220	2" FULL PORT ELECTRIC VALVE	250	2"	2"	1	VP20153

### 2" MEVX REGULATING WELDED ELECTRIC VALVES

PART NO	DESCRIPTION	MAX PSI	PIPE SIZE	OPENING THRU BALL	QTY	OPTIONAL HANDLE KIT
MEVXR200	2" STANDARD PORT ELECTRIC VALVE	250	2"	1½"	1	VP20153
MEVXR220	2" FULL PORT ELECTRIC VALVE	250	2"	2"	1	VP20153

### 2" MEVX ON/OFF BOLTED ELECTRIC VALVES

PART NO	DESCRIPTION	MAX PSI	PIPE SIZE	OPENING THRU BALL	QTY	OPTIONAL HANDLE KIT	REPAIR KIT
MEVX201	2" STANDARD PORT ELECTRIC VALVE	250	2"	1½"	1	VP20153	EVX20200
MEVX221	2" FULL PORT ELECTRIC VALVE	125	2"	2"	1	VP20153	EVX25200

# MANIFOLD FLANGE CONNECTIONS

## 3" MEVX SERIES

### FEATURES

- 12-volt DC operated
- 24-volt available
- Open/closed indicator
- ON/OFF 3" has 4 second response
- Regulating 3" has 4 second response
- Open / Close verification available
- IP68 waterproof
- -0 to 150F (-18 to 65C) operating
- -67 to 221F (-55 to 105C) storage
- Actuator rated to 250,000 cycles
- Valve rated to 50,000 cycles leak-free
- Additional protocols available including CAN/ISO BUS & Proportional Control

### MATERIALS

- 316 stainless steel ball & stem
- Stainless steel hardware
- Fiberglass reinforced polypropylene
- Zinc alloy lower actuator housing
- PTFE seats
- FKM stem seals

### ON/OFF

- Red = +12V DC
- Black = Ground
- White = +12VDC (Open)  
0VDC (Close)

### 4 WIRE REGULATING

- Red = +12V DC (Open)
- White = Ground (Open)
- Black = +12V DC (Close)
- Green = Ground (Close)



### 3" MEVX ON/OFF ELECTRIC VALVES

PART NO	DESCRIPTION	MAX PSI	PIPE SIZE	OPENING THRU BALL	QTY
MEVX300	3" FULL PORT ELECTRIC VALVE	125	3"	3"	1

### 3" MEVX REGULATING ELECTRIC VALVES

PART NO	DESCRIPTION	MAX PSI	PIPE SIZE	OPENING THRU BALL	QTY
MEVXR300	3" FULL PORT ELECTRIC VALVE	125	3"	3"	1

# MANIFOLD FLANGE CONNECTIONS

## 1" - 3" MEVX SERIES BOTTOM & SIDE LOAD VALVES



### FEATURES

- 12-volt DC operated
- 24-volt available
- Open/closed indicator
- ON/OFF 1" has ¾ second response
- ON/OFF 2" has 1½ second response
- ON/OFF 3" has 4 second response
- Open / Close verification available
- IP68 waterproof
- -0 to 150F (-18 to 65C) operating
- -67 to 221F (-55 to 105C) storage
- 1"-2" On/Off Actuator rated to 500,000 cycles
- 3" On/Off & Regulating Actuator rated to 250,000 cycles
- Valve rated to 50,000 cycles leak-free
- Additional protocols available including CAN/ISO BUS & Proportional Control

### 1"-3" MEVX BOTTOM LOAD ELECTRIC VALVES

PART NO	DESCRIPTION	MAX PSI	PIPE SIZE	OPENING THRU BALL	QTY	OPTIONAL HANDLE KIT	REPAIR KIT
MEVX100BL	1" FULL PORT MANIFOLD BOTTOM LOAD ELECTRIC VALVE	300	1"	1"	1	VP20153SH	EVX10200
MEVX200BL	2" STANDARD PORT MANIFOLD BOTTOM LOAD ELECTRIC VALVE	250	2"	1½"	1	VP20153	EVX20200
MEVX220BL	2" FULL PORT MANIFOLD BOTTOM LOAD ELECTRIC VALVE	125	2"	2"	1	VP20153	EVX25200
MEVX300BL	3" FULL PORT MANIFOLD BOTTOM LOAD ELECTRIC VALVE	125	3"	3"	1	VP30153	EVX30200

### 1"-2" MEVX SIDE LOAD ELECTRIC VALVES

PART NO	DESCRIPTION	MAX PSI	PIPE SIZE	OPENING THRU BALL	QTY	OPTIONAL HANDLE KIT	REPAIR KIT
MEVX100SL	1" FULL PORT MANIFOLD SIDE LOAD ELECTRIC VALVE	300	1"	1"	1	VP20153SH	EVX10200
MEVX200SL	2" STANDARD PORT MANIFOLD SIDE LOAD ELECTRIC VALVE	250	2"	1½"	1	VP20153	EVX20200
MEVX220SL	2" FULL PORT MANIFOLD SIDE LOAD ELECTRIC VALVE	125	2"	2"	1	VP20153	EVX25200

### 1"-2" MEVX SIDE LOAD REGULATING ELECTRIC VALVES

PART NO	DESCRIPTION	MAX PSI	PIPE SIZE	OPENING THRU BALL	QTY	OPTIONAL HANDLE KIT	REPAIR KIT
MEVXR100SL	1" FULL PORT MANIFOLD SIDE LOAD ELECTRIC VALVE	300	1"	1"	1	VP20153SH	EVX10200
MEVXR200SL	2" STANDARD PORT MANIFOLD SIDE LOAD ELECTRIC VALVE	250	2"	1½"	1	VP20153	EVX20200
MEVXR220SL	2" FULL PORT MANIFOLD SIDE LOAD ELECTRIC VALVE	125	2"	2"	1	VP20153	EVX25200

### MATERIALS

- 316 stainless steel ball & stem
- Stainless steel hardware
- Fiberglass reinforced polypropylene
- Zinc alloy lower actuator housing (3" only)
- PTFE seats
- FKM stem seals

### ON/OFF

- Red = +12V DC
- Black = Ground
- White = +12VDC (Open)  
0VDC (Close)

### 4 WIRE REGULATING

- Red = +12V DC (Open)
- White = Ground (Open)
- Black = +12V DC (Close)
- Green = Ground (Close)

# MANIFOLD FLANGE CONNECTIONS

## MEVX BANKED VALVES

### FEATURES

- Valve sizes 1"-2" SP
- Number of valves from two to five bank
- Welded or bolted valves available
- Bolted valves have the same exact dimensions as our legacy EV valves.
- Additional protocols available including CAN/ISO BUS & Proportional Control



### MEVX ON/OFF WELDED BANKED ELECTRIC VALVES

PART NO	DESCRIPTION	MAX PSI	PIPE SIZE	OPENING THRU BALL	QTY
MEVX102	1" FULL PORT 2 BANK ELECTRIC VALVE	300	1"	1"	1
MEVX103	1" FULL PORT 3 BANK ELECTRIC VALVE	300	1"	1"	1

### MEVX ON/OFF BOLTED BANKED ELECTRIC VALVES

PART NO	DESCRIPTION	MAX PSI	PIPE SIZE	OPENING THRU BALL	QTY
MEVX1012	1" FULL PORT 2 BANK ELECTRIC VALVE	300	1"	1"	1
MEVX1013	1" FULL PORT 3 BANK ELECTRIC VALVE	300	1"	1"	1
MEVX1014	1" FULL PORT 4 BANK ELECTRIC VALVE	300	1"	1"	1

## 1" LEV ELECTRIC MANIFOLD VALVE

### FEATURES

- TFM seats & EPDM seals
- 12-volt DC operated
- Internally fused/automatic reset
- Stationary current draw: less than 0.04 amps
- Rotating current draw: less than 0.40 amps
- Stall current: 0.75 amps
- 1/3 second response time
- Integrated mounting slot
- 3 wire configuration
- Higher torque motor to power through thick liquids and demanding applications. (MLEV100A)
- Reinforced nylon stem more than triples the strength of the standard 1" LEV. (MLEV100A)

### ON/OFF

- Red = +12V DC
- Black = Ground
- White = +12VDC (Open)  
0VDC (Close)



### 1" ON/OFF ELECTRIC VALVES

PART NO	DESCRIPTION	MAX PSI	PIPE SIZE	OPENING THRU BALL	QTY
MLEV100	1" MANIFOLD ELECTRIC VALVE	300	1"	1/2"	1
MLEV100A	1" MANIFOLD ELECTRIC VALVE WITH HIGHER TORQUE MOTOR, SS BALL	300	1"	1/2"	1
MLEV100C	1" MANIFOLD ELECTRIC VALVE WITH HIGHER TORQUE MOTOR, SS BALL, 3 WIRE	300	1"	1/2"	1

# MANIFOLD FLANGE CONNECTIONS



## MANIFOLD 4 & 6 BOLTED VALVES

PART NO	DESCRIPTION	MAX PSI	PIPE SIZE	OPENING THRU BALL	LOT QTY	REPLACEMENT HANDLE	REPAIR KIT
MV100CF	1" FULL PORT MANIFOLD VALVE	300	1"	1"	12	V10153A	V10200
MV200CF	2" STANDARD PORT MANIFOLD VALVE	225	2"	1½"	12/BOX	V20200	N/A
MV220CF	2" FULL PORT MANIFOLD VALVE	300	2"	2"	8/BOX	V25153	V25200
MV300	3" STANDARD PORT MANIFOLD VALVE	150	3"	2½"	6/BOX	V25153	V30200
MV300CF	3" FULL PORT MANIFOLD VALVE	200	3"	3"	6/BOX	V25153	V35200

## 1" - 3" 4 & 6 BOLTED VALVES

### FEATURES

- FKM seals.
- Precision molded polypropylene is reinforced with fiberglass for additional strength
- Self-aligning ball moves freely against the PTFE seats for smooth operation. The valve opens and closes with very little pressure on the handle
- Ball is diamond turned, after molding, to make it spherically perfect, which provides precise contact between ball and seats.
- PTFE self-lubricating stem bushings and seats cannot stick or bind
- Stainless steel bolts

### REPAIR KIT INCLUDES:

- Ball
- Body gasket
- Thrust washer
- Ball seats
- Upper stem bushing
- Stem o-ring



## MANIFOLD BOLTED 5 WAY VALVE

PART NO	DESCRIPTION	MAX PSI	PIPE SIZE	OPENING THRU BALL	QTY
MV225CF	2" FULL PORT MANIFOLD 5 WAY VALVE	100	2"	2"	1

## 2" BOLTED 5 WAY VALVE

### FEATURES

- FKM seals
- Precision molded polypropylene is reinforced with fiberglass for additional strength
- Self-aligning ball moves freely against the PTFE seats for smooth operation. The valve opens and closes with very little pressure on the handle
- Ball is diamond turned, after molding, to make it spherically perfect, which provides precise contact between ball and seats.
- PTFE self-lubricating stem bushings and seats cannot stick or bind
- Stainless steel bolts

# MANIFOLD FLANGE CONNECTIONS

## 2" STUBBY VALVES

### FEATURES

- Precision molded polypropylene is reinforced with fiberglass for additional strength.
- Self-aligning ball moves freely against the PTFE seats for smooth operation. The valve opens and closes with very little pressure on the handle.
- Ball is diamond turned, after molding, to make it spherically perfect, which provides precise contact between ball and seats.
- PTFE self-lubricating stem bushings and seats cannot stick or bind.
- Stainless steel bolts.
- Standard size has TFE seals and Full Port size has FKM seals



VSMT200CF



VSF200CF



MVS220FP



MVSF220FP



MVS220CF



MVSMT220FP

### 2" MANIFOLD STUBBY VALVES

PART NO	DESCRIPTION	MAX PSI	PIPE SIZE	OPENING THRU BALL	LOT QTY	REPLACEMENT HANDLE	REPAIR KIT
VSMT200CF	2" STANDARD PORT MANIFOLD VALVE FLANGE X MALE NPT W/TFE SEALS	150	2"	1½"	6	VS20152SH	N/A
VSF200CF	2" STANDARD PORT MANIFOLD VALVE FLANGE X MALE ADAPTER W/TFE SEALS	100	2"	1½"	6	VS20152SH	N/A
MVS220FP	2" FULL PORT MANIFOLD VALVE FLANGE X FEMALE NPT W/FKM SEALS	300	2"	2"	6	VS25153	VS25200
MVSF220FP	2" FULL PORT MANIFOLD VALVE FLANGE X MALE ADAPTER W/FKM SEALS	150	2"	2"	9	VS25153	VS25200
MVS220CF	2" FULL PORT MANIFOLD VALVE FLANGE X FLANGE W/FKM SEALS	150	2"	2"	9	VS25153	VS25200
MVSMT220FP	2" FULL PORT MANIFOLD VALVE FLANGE X MALE NPT W/FKM SEALS	225	2"	2"	9	VS25153	VS25200

**Note:** N/A repair kits, components available.



# MANIFOLD FLANGE CONNECTIONS

## 2" FP STUBBY STAINLESS STEEL VALVE



VSFMT220SS

### FEATURES

- PTFE seals, no elastomers
- Self-aligning ball moves freely against the PTFE seats for smooth operation. The valve opens and closes with very little pressure on the handle
- PTFE self-lubricating stem bushings and seats cannot stick or bind

### 2" FULL PORT STUBBY STAINLESS STEEL VALVE

PART NO	DESCRIPTION	MAX PSI	PIPE SIZE	OPENING THRU BALL	QTY	REPLACEMENT HANDLE	REPAIR KIT
VSFMT220SS	2" FULL PORT STUBBY SS VALVE MALE THREAD X MALE ADAPTER	225	2"	2"	1	VSS20153	VSS25200

# MANIFOLD FLANGE CONNECTIONS

## 3" STUBBY VALVES

### FEATURES

- FKM seals.
- Precision molded polypropylene is reinforced with fiberglass for additional strength.
- Self-aligning ball moves freely against the PTFE seats for smooth operation. The valve opens and closes with very little pressure on the handle.
- Ball is diamond turned, after molding, to make it spherically perfect, which provides precise contact between ball and seats.
- PTFE self-lubricating stem bushings and seats cannot stick or bind.
- Stainless steel bolts.



MVSF300

MVSF300FP



MVSMT300

MVS300CF



MVS300CFFP

### 3" MANIFOLD STUBBY VALVES

PART NO	DESCRIPTION	MAX PSI	PIPE SIZE	OPENING THRU BALL	LOT QTY	REPLACEMENT HANDLE	REPAIR KIT
MVSF300	3" STANDARD PORT MANIFOLD VALVE FLANGE X MALE ADAPTER	100	3"	2½"	6/BOX	V25153	VS30200
MVSF300FP	3" FULL PORT MANIFOLD VALVE FLANGE X MALE ADAPTER	100	3"	3"	6/BOX	V25153	VS35200
MVSMT300	3" STANDARD PORT MANIFOLD VALVE FLANGE X MALE NPT	225	3"	2½"	4	V25153	VS30200
MVS300CF	3" STANDARD PORT MANIFOLD VALVE FLANGE X FLANGE	200	3"	2½"	6/BOX	V25153	VS30200
MVS300CFFP	3" FULL PORT MANIFOLD VALVE FLANGE X FLANGE	150	3"	3"	6/BOX	V25153	VS35200

**Note:** N/A repair kits, components available.

# MANIFOLD FLANGE CONNECTIONS

## 3" FP STUBBY VALVES WITH STAINLESS STEEL

### FEATURES

- Precision molded polypropylene is reinforced with fiberglass for additional strength.
- Self-aligning ball moves freely against the PTFE seats for smooth operation. The valve opens and closes with very little pressure on the handle.
- Ball is diamond turned, after molding, to make it spherically perfect, which provides precise contact between ball and seats.
- Stainless steel bolts
- Compact design
- FKM seals



MVS300HSFP



MVSMT300HSFP

### 3" FULL PORT MANIFOLD STUBBY VALVES WITH SS

PART NO	DESCRIPTION	MAX PSI	PIPE SIZE	OPENING THRU BALL	QTY	REPLACEMENT HANDLE
MVS300HSFP	3" FULL PORT MANIFOLD STUBBY VALVE FLANGE X FLANGE WITH SS BALL, STEM & HANDLE	100	3"	3"	1	VS30153SS
MVSMT300HSFP	3" FULL PORT MANIFOLD STUBBY VALVE MALE NPT X FLANGE WITH SS BALL, STEM & HANDLE	200	3"	3"	1	VS30153SS

# MANIFOLD FLANGE CONNECTIONS

## 3 WAY BOTTOM LOAD BALL VALVES

### FEATURES

- Stainless steel bolts
- Precision molded in fiberglass reinforced polypropylene for additional strength
- Self-aligning ball moves freely against the PTFE seats for smooth operation
- Ball is diamond turned after molding to make it spherically perfect, which provides precise contact between ball and seats
- PTFE self-lubricating stem bushings and seats
- FKM body seals
- Directional flow, right or left. Valve can be turned off to stop flow

### REPAIR KIT INCLUDES:

- Ball
- Body gasket
- Thrust washer
- Ball seats
- Upper stem bushing
- Stem o-ring



### 3 WAY BOTTOM LOAD MANIFOLD VALVES

PART NO	DESCRIPTION	MAX PSI	PIPE SIZE	OPENING THRU BALL	LOT QTY	HANDLE TYPE	REPLACEMENT HANDLE	REPAIR KIT
MV100BL	1" FP 3-WAY BOTTOM LOAD MANIFOLD VALVE	300	1"	1"	6	T	N/A	N/A
MV200BL	2" SP 3-WAY BOTTOM LOAD MANIFOLD VALVE	225	2"	1½"	6	T	V20353TB	V15300SL
MV220BL	2" FP 3-WAY BOTTOM LOAD MANIFOLD VALVE	150	2"	2"	8/BOX	STRAIGHT	V25353B	V25200BL
MV300BL	3" FP 3-WAY BOTTOM LOAD MANIFOLD VALVE	150	3"	3"	4/BOX	STRAIGHT	V25353B	V35200BL

## 3 WAY SIDE LOAD BALL VALVES

### FEATURES

- Stainless steel bolts
- Precision molded in fiberglass reinforced polypropylene for additional strength
- Self-aligning ball moves freely against the PTFE seats for smooth operation
- Ball is diamond turned after molding to make it spherically perfect, which provides precise contact between ball and seats
- PTFE self-lubricating stem bushings and seats
- FKM body seals
- Directional flow, right or left. Valve cannot be turned off to stop flow



### 3 WAY SIDE LOAD MANIFOLD VALVES

PART NO	DESCRIPTION	MAX PSI	PIPE SIZE	OPENING THRU BALL	LOT QTY	HANDLE TYPE	REPLACEMENT HANDLE	REPAIR KIT
MV100SL	1" FP 3-WAY SIDE LOAD MANIFOLD VALVE	300	1"	1"	6	T	N/A	N/A
MV200SL	2" SP 3-WAY SIDE LOAD MANIFOLD VALVE	225	2"	1½"	5	STRAIGHT	V20153SH	V15300SL
MV220SL	2" FP 3-WAY SIDE LOAD FULL PORT MANIFOLD VALVE	100	2"	2"	8/BOX	STRAIGHT	V25153SH	V25200BL

# MANIFOLD FLANGE CONNECTIONS

## PRESSURE SPIKE VALVES



### FEATURES

- FKM seals.
- Precision molded polypropylene is reinforced with fiberglass for additional strength.
- 360° orientation
- Preset pressure spring

### MANIFOLD PRESSURE SPIKE VALVES

PART NO	DESCRIPTION	CRACKING PRESSURE	MAX PSI	QTY
MPRV100-050	1" X 1" MANIFOLD PRESSURE SPIKE VALVE	50	300	1
MPRV100-075	1" X 1" MANIFOLD PRESSURE SPIKE VALVE	75	300	1
MPRV100-100	1" X 1" MANIFOLD PRESSURE SPIKE VALVE	100	300	1
MPRV100-125	1" X 1" MANIFOLD PRESSURE SPIKE VALVE	125	300	1

## DRY-MATE™ DRY-DISCONNECTS



### FEATURES

- Easy to use
- Minimal fluid spillage
- Reduces risk of exposure
- Wide range of chemical resistance
- When properly installed and operated, the assembly will not accidentally separate while fluid is flowing; preventing costly mishaps.
- Spillage data: 2"=4ml, 3"=15ml

### MANIFOLD DRY DISCONNECTS

PART NO	DESCRIPTION	MAX PSI	PIPE SIZE	OPENING THRU BALL	QTY	REPLACEMENT HANDLE	REPAIR KIT
DM200ACF	2" MALE MANIFOLD DRY-MATE WITH FKM SEALS	100	2"	1½"	1	DM20153M	DM20200A
DM200DCF	2" FEMALE MANIFOLD DRY-MATE WITH FKM SEALS	100	2"	1½"	1	DM20153F	DM20200D
DM300ACF	3" MALE MANIFOLD DRY-MATE WITH FKM SEALS	150	3"	3"	1	DM35153M	DM35200
DM300DCF	3" FEMALE MANIFOLD DRY-MATE WITH FKM SEALS	150	3"	3"	1	DM35153F	DM35200

**Note:** Male and female sold separately

### REPAIR KIT INCLUDES:

- Face seal
- Ball
- Seats
- Body gasket
- Thrust bearings
- Stem bushings

# MANIFOLD FLANGE CONNECTIONS

## BOOM NOZZLE PIPE ADAPTER

### FEATURES

- Eliminates having to thread pipe
- Quick and easy assembly
- No welding necessary
- 360° orientation



M100PA



M100PAC



M100PAT

### BOOM NOZZLE PIPE ADAPTER

PART NO	DESCRIPTION	MAX PSI	LOT QTY
M100PA	1" FLANGED PIPE ADAPTER	300	10
M100PAC	1" FLANGED PIPE ADAPTER CAP	300	1
M100PAT	1" FLANGED PIPE ADAPTER TEE	300	1

## INDUCTORS

### FEATURES

- Threaded or manifold ends
- Glass reinforced polypropylene
- Designed for use with a volume pump. Typical volumes (80-240 US GPM) and pressures (26-52 PSI) should be used to operate the inductor.



HV200



MHV220A

### MANIFOLD INDUCTORS

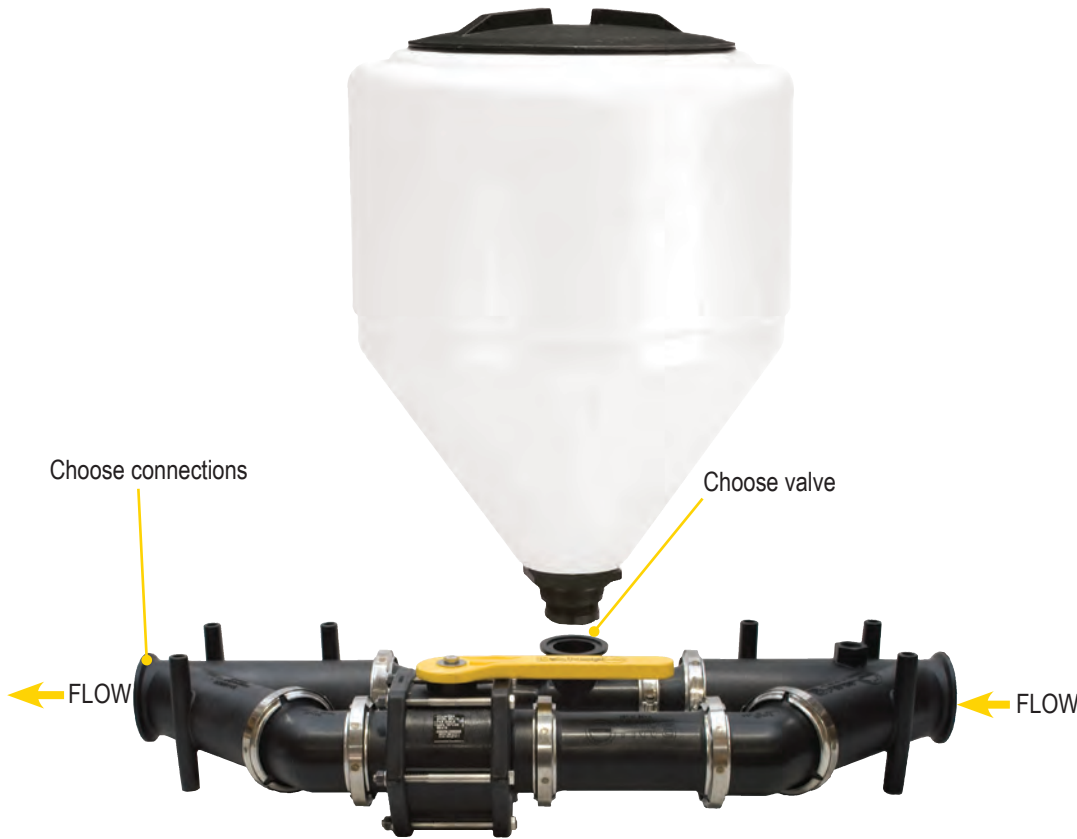
PART NO	DESCRIPTION	PRESSURE AT PUMP	VOLUME DRAW	OPENING SIZE	LOT QTY
HV200	2" MPT INDUCTOR	225	49 GPM	7/16"	1
MHV200	2" MANIFOLD INDUCTOR WITH 1 1/2" PORT	300	37 GPM	5/16"	1
MHV220A	2" FULL PORT MANIFOLD INDUCTOR	225	49 GPM	9/16"	5

# MANIFOLD FLANGE CONNECTIONS

## INDUCTOR SYSTEMS

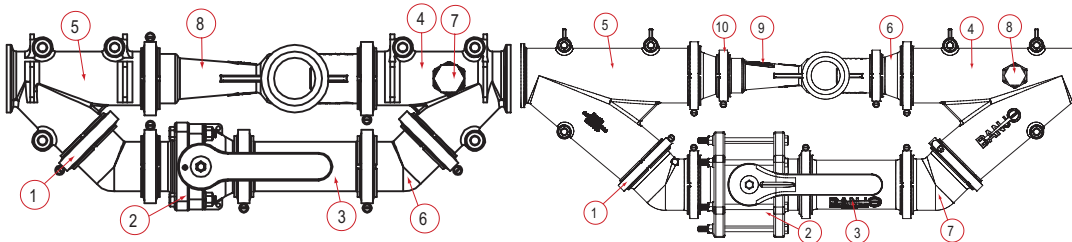
### FEATURES

- Installed after pump; suction completely empties inductor tank
- Keeps pump free of chemicals
- Easy assembly/installation with manifold connections found on pages 39-45.
- Choose your connections and valve
- Tank for illustration purposes only, not included



### MANIFOLD INDUCTOR SYSTEMS

PART NO	DESCRIPTION	MAX PSI	QTY
MIS220	2" FULL PORT MANIFOLD INDUCTOR SYSTEM FLANGE X FLANGE ASSEMBLED	225	1
MIS300	3" FULL PORT MANIFOLD INDUCTOR SYSTEM FLANGE X FLANGE ASSEMBLED	150	1



### MANIFOLD INDUCTORS

ITEM	PART NO	DESCRIPTION	LOT QTY
1	FC220	220 SERIES WORM SCREW CLAMP	10/BAG
2	MVS220CF	2" FP FLANGE X 2" FP FLANGE	9
3	M220CPG6	2" X 2" FULL PORT FLANGE X 6"	5
4	M220YG45	2" FULL PORT 45° Y FLANGE W/ 3/4" GAUGE PORT*	1
5	M220Y45	2" FULL PORT 45° Y FLANGE	5
6	M220CPG45	2" FULL PORT 45° COUPLING	10/BAG
7	PLUG075	3/4" PIPE PLUG	10/BAG
8	MHV220A	2" FULL PORT POLY VENTURI	5
N/S	M221G	2" FULL PORT EPDM MANIFOLD GASKET WITH RIB	30

### MANIFOLD INDUCTORS

ITEM	PART NO	DESCRIPTION	LOT QTY
1	FC300	300 SERIES WORM SCREW CLAMP	10/BAG
2	MV301CF	3" FP FLANGE X 3" FP FLANGE	1
3	M300CPG7	3" X 3" FULL PORT FLANGE X 7"	5
4	M300YG45	3" FULL PORT 45° Y FLANGE W/ 3/4" GAUGE PORT*	1
5	M300Y45	3" FULL PORT 45° Y FLANGE	1
6	M300220CPG	3" X 2" FULL PORT REDUCER FLANGE	10
7	M300CPG45	3" FULL PORT 45° COUPLING	10
8	PLUG075	3/4" PIPE PLUG	10/BAG
9	MHV220A	2" FULL PORT POLY VENTURI	5
10	FC220	220 SERIES WORM SCREW CLAMP	10/BAG
N/S	M221G	2" FULL PORT EPDM MANIFOLD GASKET WITH RIB	30
N/S	M301G	3" EPDM MANIFOLD GASKET WITH RIB	50

\*Note: Gauge not included.

# MANIFOLD FLANGE CONNECTIONS

## FLOW METERS

### FEATURES

- Displays overall total volume and batch total volume
- Flow rate allows for Gallons or Liters per minute
- The display reads 6 digits for rate, 8 digits for total and 1 decimal place reading in tenths
- Magnetic style meter with stainless steel electrodes
- Self calibrating meter
- Measures water and most conductive liquids
- Easy to change six (6) AA batteries
- No moving parts to fail during use
- Glass-reinforced polypropylene
- Temperature range from 0°F to 150°F
- ±1% of reading (between 10% and 100% of maximum flow)
- ±3% of reading (between cutoff and 10% of maximum flow)
- There are 3 photoeyes located on the face of the flow meter. These are not push buttons; to activate you must hold your finger over the photoeye for 2-4 seconds
- Flow meters will not read petroleum based liquids
- It is recommended to have at least 10X the diameter of straight pipe before and after the flow meter



MFM100



MFM220



MFM300

### FLOW METERS

PART NO	DESCRIPTION	MAX PSI	GPM	QTY
MFM100	1" FULL PORT MANIFOLD FLOW METER	200	110 GPM	1
MFM220	2" FULL PORT MANIFOLD FLOW METER	200	300 GPM	1
MFM300	3" FULL PORT FLOW METER	200	670 GPM	1



# MANIFOLD FLANGE CONNECTIONS



## SWEEPS

### FEATURES

- Direct replacement for standard 90° flanged couplings
- Positive seals
- Quick and easy assembly
- Easy on/off hose connections
- 360° orientation
- Improved flow for max GPM

## SWEEPS

PART NO	DESCRIPTION	MAX PSI	LOT QTY
M100125BRBSWP90	1" FLANGE X 1¼" HOSE BARB SWEEP	300	10/BAG
M100BRBSWP90	1" FLANGE X HOSE BARB SWEEP	300	10/BAG
M100BRBSWPG90	1" FULL PORT FLANGE X 1" HOSE BARB SWEEP W/ ¼" GAUGE PORT	300	10/BAG
M100SWP90	1" FLANGE X FLANGE SWEEP	300	10/BAG
M100SWPG90	1" FLANGE X FLANGE SWEEP W/ ¼" GAUGE PORT	300	10/BAG
M200SWP90	2" FLANGE X FLANGE SWEEP	300	10/BAG
M200150BRBSWP90	2" FLANGE X 1½" HOSE BARB SWEEP	300	10/BAG
M220200SWP90	2" FULL PORT FLANGE X 2" FLANGE SWEEP	300	10/BAG
M220ASWP90	2" FULL PORT FLANGE X MALE ADAPTER SWEEP	200	10/BAG
M220BRBSWP90	2" FULL PORT FLANGE X HOSE BARB SWEEP	300	10
M220MPTSWP90	2" FULL PORT FLANGE X MALE NPT THREAD SWEEP	300	1
M220SWP90	2" FULL PORT FLANGE X FLANGE SWEEP	300	10/BAG
M220SWPG90	2" FULL PORT FLANGE X FLANGE SWEEP W/ ¼" GAUGE PORT	300	1
M300ASWP90	3" FLANGE X MALE ADAPTER SWEEP	100	1
M300BRBSWP90	3" FLANGE X HOSE BARB SWEEP	225	10
M300BRBSWPG90	3" FLANGE X HOSE BARB SWEEP W/ ¼" GAUGE PORT	225	1
M300MPTSWP90	3" FLANGE X MALE NPT THREAD SWEEP	200	1
M300SWP90	3" FLANGE X FLANGE SWEEP	200	10
M300SWPG90	3" FLANGE X FLANGE SWEEP W/ ¼" GAUGE PORT	200	1
M300220SWP90	3" FULL PORT FLANGE X 2" FULL PORT FLANGE SWEEP	300	1

# MANIFOLD FLANGE CONNECTIONS

## FITTINGS

### FEATURES

- Quick and easy assembly
- Positive seals
- Easy on/off hose connections
- 360° orientation
- Where noted, parts must be ordered in bag quantities.



### SWIVEL

PART NO	DESCRIPTION	MAX PSI	QTY
MSW220	2" FULL PORT MANIFOLD FLANGE SWIVEL	200	1

### CHECK VALVES

PART NO	DESCRIPTION	OPENING PRESSURE PSI	MAX PSI	LOT QTY
MCV100	1" FLANGED CHECK VALVE	1	300	10
MCV200	2" FLANGED CHECK VALVE	0.5	300	10
MCV221	2" FULL PORT FLANGED CHECK VALVE	>0.5	200	10
MCV300	3" FLANGED CHECK VALVE W/5 LB SPRING	1.5	200	1
MCV301	3" FLANGED CHECK VALVE W/1/2 LB SPRING	>0.5	N/A	1

### PVC GLUE SOCKET

PART NO	DESCRIPTION	MAX PSI	LOT QTY
M101GSA	1" FULL PORT FLANGE X 1" PVC GLUE SOCKET FITTING	300	10
M221GSA	2" FULL PORT FLANGE X 2" PVC GLUE SOCKET FITTING	300	10
M301GSA	3" FULL PORT FLANGE X 3" PVC GLUE SOCKET FITTING	300	1

### 316 SS SOCKET WELD

PART NO	DESCRIPTION	MAX PSI	LOT QTY
M100SWFSS	1" FLANGE X 1" SOCKET WELD FITTING	300	10
M200SWFSS	2" FLANGE X 2" SOCKET WELD FITTING	300	1
M220SWFSS	2" FULL PORT FLANGE X 2" SOCKET WELD FITTING	300	10
M220375SWFSS	2" FULL PORT FLANGE X 2" SOCKET WELD FITTING X 3/4"	300	1
M300SWFSS	3" FLANGE X 3" SOCKET WELD FITTING	300	10
M300375SWFSS	3" FLANGE X 3" SOCKET WELD FITTING X 3/4"	300	1

### COUPLINGS

PART NO	DESCRIPTION	MAX PSI	LOT QTY
M100CPG	1" X 1" FLANGE X 2 1/4" LONG	300	10/BAG
M200CPG	2" X 2" FLANGE X 4 1/2" LONG	300	10/BAG
M220CPG	2" X 2" FULL PORT FLANGE X 2 31/32" LONG	300	10/BAG
M220CPG3G	2" X 2" FULL PORT FLANGE X 3" LONG WITH 1/2" GAUGE PORT	225	1
M220CPG6	2" X 2" FULL PORT FLANGE X 6" LONG	300	5
M300CPG	3" X 3" FULL PORT FLANGE X 4" LONG	200	10
M300CPG7	3" X 3" FULL PORT FLANGE X 7" LONG	225	5
M300CPG12G	3" X 3" FULL PORT FLANGE X 12" LONG WITH 1/2" GAUGE PORT	150	1
M300CPG55G	3" X 3" FULL PORT FLANGE X 5.5" W/ 1/2" PORT	150	1

### 45° COUPLINGS

PART NO	DESCRIPTION	MAX PSI	LOT QTY
M100CPG45	1" X 1" 45° FLANGE	300	10/BAG
M200CPG45	2" X 2" 45° FLANGE	300	10/BAG
M220CPG45	2" X 2" FULL PORT 45° FLANGE	225	10/BAG
M300CPG45	3" X 3" FULL PORT 45° FLANGE	225	10

# MANIFOLD FLANGE CONNECTIONS



90° COUPLINGS			
PART NO	DESCRIPTION	MAX PSI	LOT QTY
M100CPG90	1" X 1" 90° FLANGE	300	10/BAG
M200CPG90	2" X 2" 90° FLANGE	300	10/BAG
M200CPG90SH	2" X 2" 90° SHORT FLANGE	300	10/BAG
M220CPG90	2" X 2" 90° FULL PORT FLANGE	200	10/BAG
M300CPG90	3" X 3" 90° FULL PORT FLANGE	200	5



45° Y FLANGED COUPLINGS			
PART NO	DESCRIPTION	MAX PSI	LOT QTY
M200YG45	2" 45° Y FLANGE W/ 3/4" GAUGE PORT	225	1
M220Y45	2" FULL PORT 45° Y FLANGE	300	5
M220YG45	2" FULL PORT 45° Y FLANGE W/ 3/4" GAUGE PORT	225	1
M300Y45	3" FULL PORT 45° Y FLANGE	200	1
M300YG45	3" FULL PORT 45° Y FLANGE W/ 3/4" GAUGE PORT	200	1



3" MANIFOLD WYE			
PART NO	DESCRIPTION	MAX PSI	QTY
M300220WYCG	M300 X M220 X M220 X M220 FULL PORT FLANGE WYE W/ 3/4" GAUGE PORT	300	1



REDUCER COUPLINGS			
PART NO	DESCRIPTION	MAX PSI	LOT QTY
M200100CPG	2" X 1" REDUCER FLANGE	300	10/BAG
M220100CPG	2" FULL PORT X 1" REDUCER FLANGE	225	10/BAG
M220200CPG	2" FULL PORT X 2" REDUCER FLANGE	225	10/BAG
M300200CPG	3" X 2" REDUCER FLANGE	225	10/BAG
M300220CPG	3" X 2" FULL PORT REDUCER FLANGE	225	10



TEES			
PART NO	DESCRIPTION	MAX PSI	LOT QTY
M100TEE	1" FLANGED TEE	300	10/BAG
M101TEE	1" FLANGED TEE LONG	300	10
M200100TEE	2" X 1" FLANGED TEE	300	10
M200TEE	2" FLANGED TEE	200	10/BAG
M220100TEE	2" FULL PORT FLANGED TEE X 1" FLANGED TEE	225	10
M220200TEE	2" FULL PORT FLANGED TEE X 2" FLANGED TEE	300	10
M220TEE	2" FULL PORT FLANGED TEE	225	10
M300TEE	3" FLANGED TEE	225	10



U BOLTS			
PART NO	DESCRIPTION	MAX PSI	LOT QTY
UB100	100 SERIES MOUNTING U BOLT	N/A	1
UB202	2 SERIES MOUNTING U BOLT	N/A	10
UB220	220 SERIES MOUNTING U BOLT	N/A	10

## FITTINGS

### FEATURES

- Quick and easy assembly
- Positive seals
- Easy on/off hose connections
- 360° orientation
- Where noted, parts must be ordered in bag quantities

# MANIFOLD FLANGE CONNECTIONS

## FITTINGS

### FEATURES

- Quick and easy assembly
- Positive seals
- Easy on/off hose connections
- 360° orientation
- Where noted, parts must be ordered in bag quantities.



### SS BUTT WELD ADAPTER

PART NO	DESCRIPTION	MAX PSI	QTY
M220BWASS	2" FULL PORT STAINLESS STEEL BUTT WELD ADAPTER	300	1



### FEMALE NPT THREAD

PART NO	DESCRIPTION	MAX PSI	LOT QTY
M100050FPT	1" FLANGE X 1/2" FEMALE THREAD	300	10/BAG
M100075FPT	1" FLANGE X 3/4" FEMALE THREAD	300	10/BAG
M100FPT	1" FLANGE X 1" FEMALE THREAD	300	10/BAG
M200FPT	2" FLANGE X 2" FEMALE THREAD	300	10/BAG
M200150FPT	2" FLANGE X 1 1/2" FEMALE THREAD	300	10/BAG
M220FPT	2" FULL PORT FLANGE X 2" FEMALE THREAD	300	10/BAG
M300FPT	3" FLANGE X 3" FEMALE THREAD	200	10/BAG



### MALE THREAD

PART NO	DESCRIPTION	MAX PSI	LOT QTY
M100075MPT	1" FLANGE X 3/4" MALE THREAD	300	10/BAG
M100MPT	1" FLANGE X 1" MALE THREAD	300	10/BAG
M100125MPT	1" FLANGE X 1 1/4" MALE THREAD	300	10/BAG
M200125MPT	2" FLANGE X 1 1/4" MALE THREAD	300	10/BAG
M200150MPT	2" FLANGE X 1 1/2" MALE THREAD	300	10/BAG
M200MPT	2" FLANGE X 2" MALE THREAD	300	10/BAG
M220MPT	2" FULL PORT FLANGE X 2" MALE THREAD	300	10/BAG
M300MPT	3" FLANGE X 3" MALE THREAD	300	10



### 316 SS MALE THREAD

PART NO	DESCRIPTION	MAX PSI	QTY
M100MPTSS	1" FLANGE X 1" MALE THREAD	300	1
M200125MPTSS	2" FLANGE X 1 1/4" MALE THREAD	300	1
M200150MPTSS	2" FLANGE X 1 1/2" MALE THREAD	300	1
M200MPTSS	2" FLANGE X 2" MALE THREAD	300	1
M220150MPTSS	2" FULL PORT FLANGE X 1 1/2" MALE THREAD	300	1
M220MPTSS	2" FULL PORT FLANGE X 2" MALE THREAD	300	1
M300220MPTSS	3" FLANGE X 2" FULL PORT MALE THREAD	300	1
M300MPTSS	3" FLANGE X 3" MALE THREAD	300	1

# MANIFOLD FLANGE CONNECTIONS

## FITTINGS

### FEATURES

- Quick and easy assembly
- Positive seals
- Easy on/off hose connections
- 360° orientation
- Where noted, parts must be ordered in bag quantities



### PLUGS

PART NO	DESCRIPTION	MAX PSI	LOT QTY
M100PLG	1" FLANGE PLUG	300	10/BAG
M200PLG	2" FLANGE PLUG	300	10/BAG
M220PLG	2" FULL PORT FLANGE PLUG	300	10/BAG
M300PLG	3" FULL PORT FLANGE PLUG	225	10/BAG
M100PLG025	1" FLANGE PLUG WITH 1/4" FPT	300	10/BAG
M100PLG050	1" FLANGE PLUG WITH 1/2" FPT	300	10/BAG
M200PLG025	2" FLANGE PLUG WITH 1/4" FPT	225	10/BAG
M200PLG038	2" FLANGE PLUG WITH 3/8" FPT	300	10/BAG
M200PLG050	2" FLANGE PLUG WITH 1/2" FPT	225	10/BAG
M200PLG075	2" FLANGE PLUG WITH 3/4" FPT	225	10/BAG
M200PLG100	2" FLANGE PLUG WITH 1" FPT	225	10/BAG
M220PLG038	2" FULL PORT FLANGE PLUG WITH 3/8" FPT	150	10/BAG
M220PLG075	2" FULL PORT FLANGE PLUG WITH 3/4" FPT	225	10/BAG
M300PLG075	3" FLANGE PLUG WITH 3/4" FPT	200	10/BAG
M300PLG100	3" FLANGE PLUG WITH 1" FPT	200	1

### FEMALE COUPLER

PART NO	DESCRIPTION	MAX PSI	LOT QTY
M220D	2" FULL PORT FLANGE X 2" FEMALE COUPLER	225	20
M303D	3" FULL PORT FLANGE X 3" FEMALE COUPLER WITH 3 ARMS	225	10

### MALE ADAPTER

PART NO	DESCRIPTION	MAX PSI	LOT QTY
M100A	1" FLANGE X 1" MALE ADAPTER	300	10/BAG
M200A	2" FLANGE X 2" MALE ADAPTER	300	10/BAG
M220A	2" FULL PORT FLANGE X 2" MALE ADAPTER	225	10/BAG
M300A	3" FULL PORT FLANGE X 3" MALE ADAPTER	100	10

### CROSS

PART NO	DESCRIPTION	MAX PSI	LOT QTY
M100CR	1" FLANGED CROSS	300	10/BAG
M200CR	2" FLANGED CROSS	300	10
M220CR	2" FULL PORT FLANGED CROSS	200	10
M300CR	3" FLANGED CROSS	125	5

# MANIFOLD FLANGE CONNECTIONS

## FITTINGS

### FEATURES

- Quick and easy assembly
- Positive seals
- Easy on/off hose connections
- 360° orientation
- Where noted, parts must be ordered in bag quantities.



### HOSE BARB

PART NO	DESCRIPTION	MAX PSI	LOT QTY
M100075BRB	1" FLANGE X 3/4" HOSE BARB	300	10/BAG
M100BRB	1" FLANGE X 1" HOSE BARB	300	10/BAG
M100125BRB	1" FLANGE X 1 1/4" HOSE BARB	300	10/BAG
M200100BRB	2" FLANGE X 1" HOSE BARB	300	10/BAG
M200125BRB	2" FLANGE X 1 1/4" HOSE BARB	300	10/BAG
M200150BRB	2" FLANGE X 1 1/2" HOSE BARB	300	10/BAG
M200BRB	2" FLANGE X 2" HOSE BARB	300	10/BAG
M220100BRB	2" FULL PORT FLANGE X 1" HOSE BARB	300	10/BAG
M220125BRB	2" FULL PORT FLANGE X 1 1/4" HOSE BARB	300	10/BAG
M220150BRB	2" FULL PORT FLANGE X 1 1/2" HOSE BARB	300	10/BAG
M220BRB	2" FULL PORT FLANGE X 2" HOSE BARB	300	10/BAG
M300220BRB	3" FLANGE X 2" FULL PORT HOSE BARB	125	10
M300BRB	3" FLANGE X 3" HOSE BARB	200	10

### 90° HOSE BARB ELBOW

PART NO	DESCRIPTION	MAX PSI	LOT QTY
M100075BRB90	1" FLANGE X 3/4" 90° HOSE BARB	300	10/BAG
M100BRB90	1" FLANGE X 1" 90° HOSE BARB	300	10/BAG
M100125BRB90	1" FLANGE X 1 1/4" 90° HOSE BARB	300	10/BAG
M100150BRB90	1" FLANGE X 1 1/2" 90° HOSE BARB	300	10/BAG
M200100BRB90	2" FLANGE X 1" 90° HOSE BARB	300	10/BAG
M200125BRB90	2" FLANGE X 1 1/4" 90° HOSE BARB	300	10/BAG
M200150BRB90	2" FLANGE X 1 1/2" 90° HOSE BARB	300	10/BAG
M200BRB90	2" FLANGE X 2" 90° HOSE BARB	300	10/BAG
M220150BRB90	2" FULL PORT FLANGE X 1 1/2" 90° HOSE BARB	300	10/BAG
M220BRB90	2" FULL PORT FLANGE X 2" 90° HOSE BARB	300	10/BAG
M300220BRB90	3" FLANGE X 2" 90° FULL PORT HOSE BARB	300	1
M300BRB90	3" FLANGE X 3" 90° HOSE BARB	150	10

### 45° HOSE BARB ELBOW

PART NO	DESCRIPTION	MAX PSI	LOT QTY
M100BRB45	1" FLANGE X 1" 45° HOSE BARB ELBOW	300	10/BAG
M200BRB45	2" FLANGE X 2" 45° HOSE BARB ELBOW	300	10/BAG
M200125BRB45	2" FLANGE X 1 1/4" 45° HOSE BARB ELBOW	300	10/BAG
M200150BRB45	2" FLANGE X 1 1/2" 45° HOSE BARB ELBOW	300	10/BAG
M220BRB45	2" FULL PORT FLANGE X 2" 45° HOSE BARB ELBOW	300	10/BAG
M300BRB45	3" FLANGE X 3" 45° HOSE BARB ELBOW	150	10

### HOSE BARB TEE

PART NO	DESCRIPTION	MAX PSI	LOT QTY
M100050HBT	1" FLANGE X 1/2" HOSE BARB TEE	N/A	10/BAG
M100075HBT	1" FLANGE X 3/4" HOSE BARB TEE	N/A	10/BAG
M100100HBT	1" FLANGE X 1" HOSE BARB TEE	300	10/BAG
M220200HBT	2" FULL PORT FLANGE X 2" HOSE BARB TEE	300	10/BAG
M300300HBT	3" FLANGE X 3" HOSE BARB TEE	150	10/BAG

# MANIFOLD FLANGE CONNECTIONS



BOLTED FLANGE CLAMPS			
PART NO	DESCRIPTION	TORQUE	QTY
FC220B	2" FULL PORT BOLTED FLANGE CLAMP	150 IN/LBS	1
FC300B	3" BOLTED FLANGE CLAMP	150 IN/LBS	1

T-BOLT FLANGE CLAMPS			
PART NO	DESCRIPTION	TORQUE	QTY
FC220TB	2" FULL PORT HI-TORQUE T-BOLT FLANGE CLAMP	100 IN/LBS	10/BAG
FC300TB	3" FULL PORT HI-TORQUE T-BOLT FLANGE CLAMP	100 IN/LBS	10/BAG

FLANGE CLAMPS			
PART NO	DESCRIPTION	TORQUE	QTY
FC100	100 SERIES WORM SCREW CLAMP	50-60 IN/LBS	10/BAG
FC200	200 SERIES WORM SCREW CLAMP	90-100 IN/LBS	10/BAG
FC220	220 SERIES WORM SCREW CLAMP	90-100 IN/LBS	10/BAG
FC300	300 SERIES WORM SCREW CLAMP	90-100 IN/LBS	10/BAG

GASKETS			
PART NO	DESCRIPTION	GASKET MATERIAL	LOT QTY
M100G	100 SERIES MANIFOLD GASKET	EPDM	25
M101G	100 SERIES MANIFOLD GASKET WITH RIB	EPDM	35
M102G	1" & 1 1/4" SKIRTED FLANGE GASKET	EPDM	1
M100GV	100 SERIES GASKET	FKM	10
75GV	3/4" FKM GASKET	FKM	10
150G	200 SERIES GASKET	EPDM	25
150GV	200 SERIES GASKET	FKM	10
200G	220 SERIES FULL PORT GASKET	EPDM	25
200GV	220 SERIES FULL PORT GASKET	FKM	10
M201G	200 SERIES MANIFOLD GASKET WITH RIB	EPDM	30
M202G	1 1/2" SKIRTED FLANGE GASKET	EPDM	1
M221G	220 SERIES FULL PORT MANIFOLD GASKET WITH RIB	EPDM	30
M222G	2" SKIRTED FLANGE GASKET	EPDM	1
300G	300 SERIES GASKET	EPDM	25
300GV	300 SERIES GASKET	FKM	10
M301G	300 SERIES MANIFOLD GASKET WITH RIB	EPDM	50
M302G	3" SKIRTED FLANGE GASKET	EPDM	1



Rib keeps gasket in place during assembly.



MINI T STRAINERS			
PART NO	DESCRIPTION	MAX PSI	QTY
MLSTM100-80	1" MANIFOLD MINI T STRAINER 80 MESH	300	1
MLSTM100HB	1" MANIFOLD MINI T STRAINER HEAD & BOWL	N/A	1
MLSTM100HBC	1" MANIFOLD MINI T STRAINER HEAD & CLEAR BOWL	N/A	1

## FITTINGS

### FEATURES

- Quick and easy assembly
- Positive seals
- Easy on/off hose connections
- 360° orientation
- Where noted, parts must be ordered in bag quantities

## MINI T LINE STRAINERS

### FEATURES

- Heavy duty glass reinforced polypropylene
- Clear bowl made of polycarbonate
- EPDM gaskets standard

# MANIFOLD FLANGE CONNECTIONS

## 1"-2" T LINE STRAINERS

### FEATURES

- EPDM gaskets
- Poly ribbed 316 stainless steel screens



## 1" FULL PORT MANIFOLD T LINE STRAINERS

PART NO	DESCRIPTION	MAX PSI	QTY
MLST100-30	1" MANIFOLD T STRAINER W/30 MESH SCREEN	300	1
MLST100-50	1" MANIFOLD T STRAINER W/50 MESH SCREEN	300	1
MLST100-80	1" MANIFOLD T STRAINER W/80 MESH SCREEN	300	1
MLST100-100	1" MANIFOLD T STRAINER W/100 MESH SCREEN	300	1

## 2" STANDARD PORT MANIFOLD T LINE STRAINERS

PART NO	DESCRIPTION	MAX PSI	QTY
MLST150-30	2" MANIFOLD T STRAINER W/30 MESH SCREEN	225	1
MLST150-50	2" MANIFOLD T STRAINER W/50 MESH SCREEN	225	1
MLST150-80	2" MANIFOLD T STRAINER W/80 MESH SCREEN	225	1
MLST150-80V	2" MANIFOLD T STRAINER W/80 MESH SCREEN WITH FKM GASKETS	225	1
MLST150-100	2" MANIFOLD T STRAINER W/100 MESH SCREEN	225	1

## 1"-2" Y LINE STRAINERS

### FEATURES

- EPDM gaskets
- Poly ribbed 316 stainless steel screens



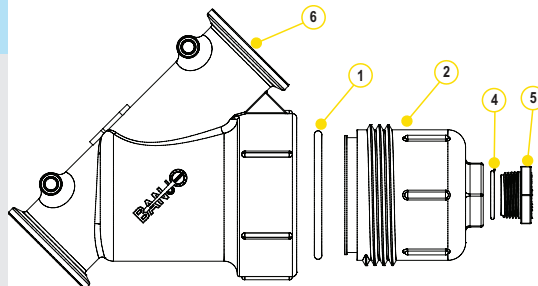
## 1" FULL PORT MANIFOLD Y LINE STRAINERS

PART NO	DESCRIPTION	MAX PSI	QTY
MLS100-80	1" MANIFOLD Y STRAINER W/80 MESH SCREEN	225	1

## 2" STANDARD PORT MANIFOLD Y LINE STRAINERS

PART NO	DESCRIPTION	MAX PSI	QTY
MLS200-12	2" MANIFOLD Y STRAINER W/12 MESH SCREEN	225	1
MLS200-20	2" MANIFOLD Y STRAINER W/20 MESH SCREEN	225	1
MLS200-50	2" MANIFOLD Y STRAINER W/50 MESH SCREEN	225	1
MLS200-80	2" MANIFOLD Y STRAINER W/80 MESH SCREEN	225	1

## Y LINE STRAINERS

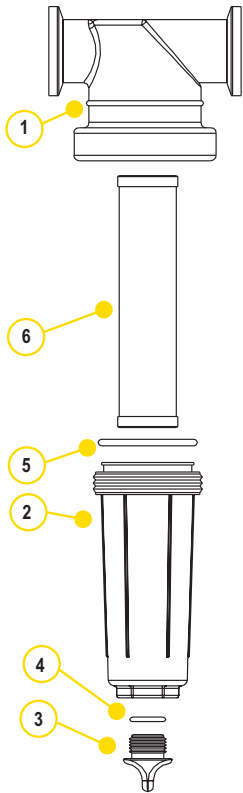


## REPLACEMENT PARTS 2"

ITEM	PART NO	DESCRIPTION	QTY
1	LS150-G	2" EPDM GASKET	1
2	LS150-C	2" Y BOWL, DRAIN PLUG, O-RING	1
3	LSQ200-PL	2" PLUG	1
4	LSQ200-R	O-RING	1
5	LST225D	DECAL	1
6	MLS200BB	2" MANIFOLD Y STRAINER BODY	1
KIT	MLS200BCM	2" FLANGE Y STRAINER BODY & CAP	1



# MANIFOLD FLANGE CONNECTIONS



## REPLACEMENT PARTS 1"

ITEM	PART NO	DESCRIPTION	QTY
1	MLST100-H	1" T BODY	1
2	LST100-B	1" T BOWL, DRAIN PLUG, O-RING	1
3	12777	1/2" PLUG	1
4	UV15163	O-RING	1
5	LST100-G	1" EPDM GASKET	1
5	LST100-GV	1" FKM GASKET	1
6	LST116	16 MESH SCREEN	1
6	LST130	30 MESH SCREEN	1
6	LST150	50 MESH SCREEN	1
6	LST180	80 MESH SCREEN	1
6	LST1100	100 MESH SCREEN	1
KIT	MLST100-HB	KIT INCLUDES ITEMS 1-5	1

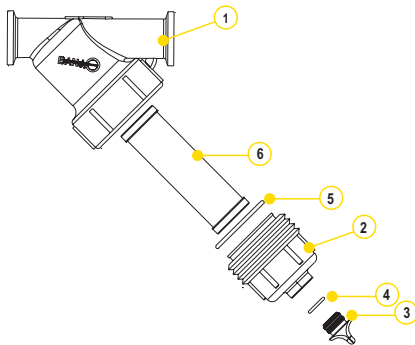
## REPLACEMENT PARTS 2"

ITEM	PART NO	DESCRIPTION	QTY
1	MLST150-H	1 1/2" T BODY	1
2	LST150-B	1 1/2" T BOWL, DRAIN PLUG, O-RING	1
3	LSQ200-PL	1 1/2" PLUG	1
4	LSQ200-R	O-RING	1
5	LST150-G	1 1/2" EPDM GASKET	1
5	LST150-GV	1 1/2" FKM GASKET	1
6	LST1516	16 MESH SCREEN	1
6	LST1530	30 MESH SCREEN	1
6	LST1550	50 MESH SCREEN	1
6	LST1580	80 MESH SCREEN	1
6	LST15100	100 MESH SCREEN	1
KIT	MLST150-HB	KIT INCLUDES ITEMS 1-5	1

## T LINE STRAINERS

### SCREENS

MESH SIZE	RIB COLOR
16 MESH	BROWN RED
30 MESH	FLAME RED
50 MESH	GENTIAN BLUE
80 MESH	ZINC YELLOW
100 MESH	TRAFFIC GREEN



## REPLACEMENT PARTS 2"

ITEM	PART NO	DESCRIPTION	QTY
1	MLS200B	2" Y BODY	1
2	LS150-C	2" Y BOWL, DRAIN PLUG, O-RING	1
3	LSQ200-PL	2" PLUG	1
4	LSQ200-R	O-RING	1
5	LS150-G	2" EPDM GASKET	1
5	LS150-GV	2" FKM GASKET	1
6	LS206	6 MESH SCREEN	1
6	LS212	12 MESH SCREEN	1
6	LS220	20 MESH SCREEN	1
6	LS230	30 MESH SCREEN	1
6	LS250	50 MESH SCREEN	1
6	LS280	80 MESH SCREEN	1
6	LS2120	120 MESH SCREEN	1
KIT	MLS200BC	KIT INCLUDES ITEMS 1-5	1

## REPLACEMENT PARTS 1"

ITEM	PART NO	DESCRIPTION	QTY
1	MLS100B	1" Y BODY	1
2	LS100-C1	1" Y BOWL, DRAIN PLUG, O-RING	1
3	12777	1/2" PLUG	1
4	UV15163	O-RING	1
5	LS100-G	1" EPDM GASKET	1
6	LS120	20 MESH SCREEN	1
6	LS140	40 MESH SCREEN	1
6	LS180	80 MESH SCREEN	1
KIT	MLS100BC	KIT INCLUDES ITEMS 1-5	1

## Y LINE STRAINERS

### SCREENS

MESH SIZE	RIB COLOR
6 MESH	WHITE
12 MESH	BLACK
20 MESH	BEIGE
30 MESH	FLAME RED
40 MESH	BROWN
50 MESH	GENTIAN BLUE
80 MESH	ZINC YELLOW
100 MESH	TRAFFIC GREEN
120 MESH	BLACK

# MANIFOLD FLANGE CONNECTIONS

## 2" FULL PORT Y LINE STRAINERS

### FEATURES

- EPDM gaskets
- 316 stainless steel screens



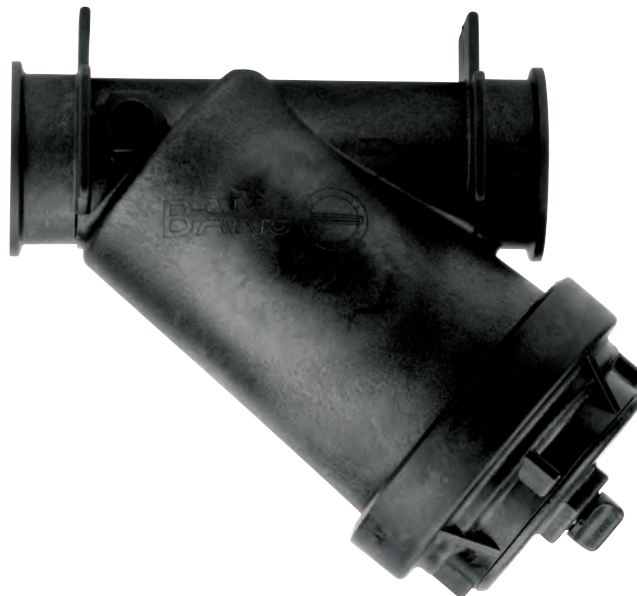
### 2" FULL PORT MANIFOLD Y LINE STRAINERS

PART NO	DESCRIPTION	MAX PSI	QTY
MLS222-04	2" FULL PORT MANIFOLD Y STRAINER W/4 MESH SCREEN	225	1
MLS222-10	2" FULL PORT MANIFOLD Y STRAINER W/12 MESH SCREEN	225	1
MLS222-16	2" FULL PORT MANIFOLD Y STRAINER W/16 MESH SCREEN	225	1
MLS222-30	2" FULL PORT MANIFOLD Y STRAINER W/30 MESH SCREEN	225	1
MLS222-50	2" FULL PORT MANIFOLD Y STRAINER W/50 MESH SCREEN	225	1
MLS222-80	2" FULL PORT MANIFOLD Y STRAINER W/80 MESH SCREEN	225	1

## 3" Y LINE STRAINERS

### FEATURES

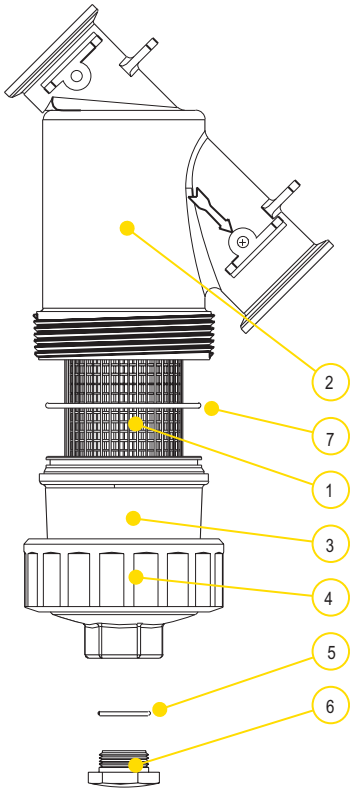
- EPDM gaskets
- 304 stainless steel screens
- Must use on suction side or non-pressure side in all applications



### 3" FULL PORT MANIFOLD Y LINE STRAINERS

PART NO	DESCRIPTION	MAX PSI	LOT QTY
MLS300-12	3" MANIFOLD Y STRAINER W/12 MESH SCREEN	100	1
MLS300-20	3" MANIFOLD Y STRAINER W/20 MESH SCREEN	100	2
MLS300-50	3" MANIFOLD Y STRAINER W/50 MESH SCREEN	100	2

# MANIFOLD FLANGE CONNECTIONS



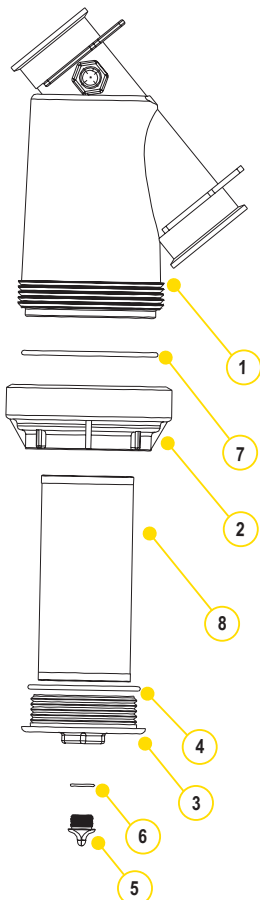
## REPLACEMENT PARTS 2"

ITEM	PART NO	DESCRIPTION	QTY
1	LST204SS	4 SS MESH SCREEN	1
1	LST206SS	6 SS MESH SCREEN	1
1	LST208SS	8 SS MESH SCREEN	1
1	LST210SS	10 SS MESH SCREEN	1
1	LST216SS	16 SS MESH SCREEN	1
1	LST230SS	30 SS MESH SCREEN	1
1	LST250SS	50 SS MESH SCREEN	1
1	MLS250SS	50 SS MESH PERFORATED SCREEN	1
1	LST280SS	80 SS MESH SCREEN	1
1	MLS280SS	80 SS MESH PERFORATED SCREEN	1
1	LST2100SS	100 SS MESH SCREEN	1
1	MLS2100SS	100 SS MESH PERFORATED SCREEN	1
2	MLS222B	2" FLANGED Y STRAINER BODY	1
3	MLS220C1	2" FLANGED Y STRAINER CAP	1
4	MLS220R1	2" FLANGED Y STRAINER RING	1
5	LSQ200-R	2" PLUG GASKET	1
6	LSQ200-PL	2" PLUG	1
7	MLS220G1	2" BODY GASKET	1
2-7	MLS222BC	STRAINER WITHOUT SCREEN	1

## 2" FULL PORT Y LINE STRAINERS

### FEATURES

- EPDM gaskets
- 316 stainless steel screens



## REPLACEMENT PARTS 3"

ITEM	PART NO	DESCRIPTION	QTY
1	MLS300B	3" FLANGED Y STRAINER BODY	1
2	MLS300CAP	3" FLANGED Y STRAINER CAP	1
3	LS300EC	3" END CAP	1
4	MLS300ECG	3" EPDM END CAP GASKET	1
4	MLS300ECGV	3" FKM END CAP GASKET	1
5	13777	3/4" PLUG	1
6	13778	O-RING	1
7	MLS300G	3" EPDM CAP GASKET	1
8	LS304	4 SS MESH SCREEN	1
8	LS308	8 SS MESH SCREEN	1
8	LS312	12 SS MESH SCREEN	1
8	LS320	20 SS MESH SCREEN	1
8	LS350	50 SS MESH SCREEN	1
1-7	MLS300BC	STRAINER WITHOUT SCREEN	1

## 3" Y LINE STRAINERS

### FEATURES

- EPDM gaskets
- 304 stainless steel screens
- Must use on suction side or non-pressure side in all applications

# MANIFOLD FLANGE CONNECTIONS

## BOTTOM DRAIN BOLTED TANK FITTINGS

### FEATURES

- Stainless steel bolts
- Bolt head plugs sealed ultrasonically
- Glass reinforced polypropylene
- EPDM gasket standard
- FKM gasket available



### BOTTOM DRAIN BOLTED TANK FITTINGS

PART NO	DESCRIPTION	MAX PSI	LOT QTY
MBF100BD	1" FLANGE X 1" FEMALE THREAD W/EPDM GASKET	150	5
MBF200BD	2" FLANGE X 2" FEMALE THREAD W/EPDM GASKET	150	5
MBF220BD	2" FP FLANGE X 2" FEMALE THREAD W/EPDM GASKET	150	5
MBF300BD	3" FLANGE X 3" FEMALE THREAD W/EPDM GASKET	150	8

## BOTTOM DRAIN BULKHEAD FITTINGS

### FEATURES

- Glass reinforced polypropylene
- EPDM standard
- Groove allows more drainage
- Gasket not included



### BOTTOM DRAIN BULKHEAD FITTINGS

PART NO	DESCRIPTION	HOLE SIZE	MAX PSI	LOT QTY
MTF100BD	1" FLANGE X 1" FEMALE THREAD W/EPDM GASKET	1 <sup>1</sup> / <sub>32</sub> "	300	10
MTF220BD	2" FP FLANGE X 2" FEMALE THREAD W/EPDM GASKET	3 <sup>1</sup> / <sub>4</sub> "	300	10
MTF300BD	3" FLANGE X 3" FEMALE THREAD W/EPDM GASKET	4 <sup>1</sup> / <sub>2</sub> "	200	1

## BOLTED TANK FITTINGS

### FEATURES

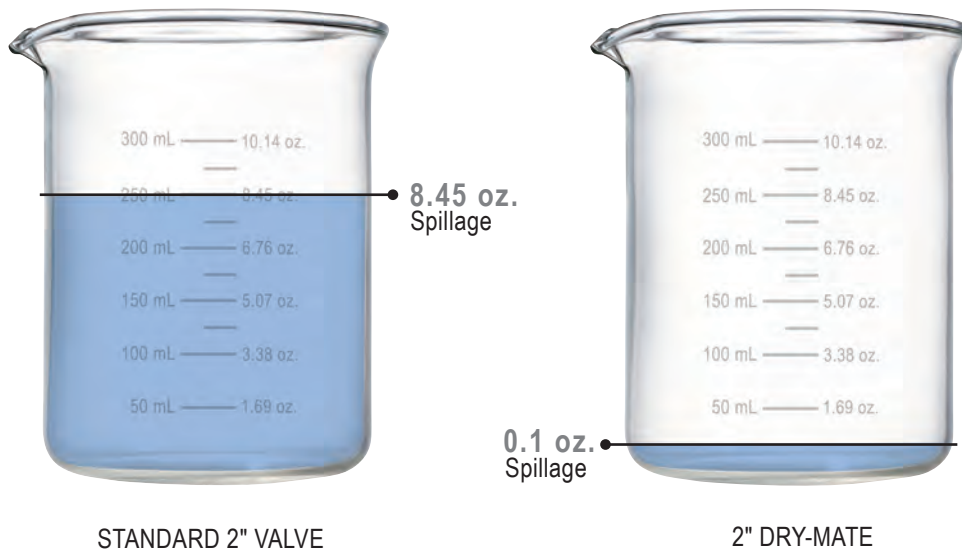
- Stainless steel bolts
- Bolt head plugs sealed ultrasonically
- Glass reinforced polypropylene
- EPDM gasket standard
- FKM gasket available



### BOLTED TANK FITTINGS

PART NO	DESCRIPTION	MAX PSI	LOT QTY
MBF100	1" FLANGE X 1" FEMALE THREAD W/EPDM GASKET	150	5
MBF200	2" FLANGE X 2" FEMALE THREAD W/EPDM GASKET	150	5
MBF220	2" FP FLANGE X 2" FEMALE THREAD W/EPDM GASKET	150	5
MBF300	3" FLANGE X 3" FEMALE THREAD W/EPDM GASKET	150	5

## NOT YOUR TYPICAL SPILLAGE



### 99% SPILLAGE REDUCTION

- Reduction of typical spillage using standard 2" valve with cam lock connection vs. Dry-Mate
- 8.45 oz. (250 mL) vs. 0.1 oz. (3 mL) spillage
- At five disconnections per day, this is **over 118 gallons (450 liters) saved per year**; enough to fill the gas tanks of eight mid-size automobiles

### FEATURES



#### SAFETY FIRST

Product is important, but the safety of your team is essential. With Dry-Mate Dry-Disconnects, leakage from disconnecting is miniscule compared to standard valves. When properly installed and operated, the danger posed by harmful chemicals contacting your team is greatly reduced.



#### EVERY DROP COUNTS

Your product is money. Why waste money in spilling your product every time you disconnect? With Dry-Mate, your spillage amount will be significantly reduced. At 3 mL product spillage for a 2" line, you can have peace of mind that your product is being placed where it should be and not on the ground.



#### PRODUCT ONLY WHERE YOU WANT IT

When a Dry-Mate is properly installed and operated, the assembly will not accidentally separate while fluid is flowing; preventing costly mishaps.



#### DITCH THE MAINTENANCE

All that spillage has to go somewhere. If you are collecting large areas of spillage run-off, you have to have it pumped out. Reduce your maintenance costs on your spillage pits by keeping fluids contained.

# DRY DISCONNECTS

## 1½" POLY DRY-MATES

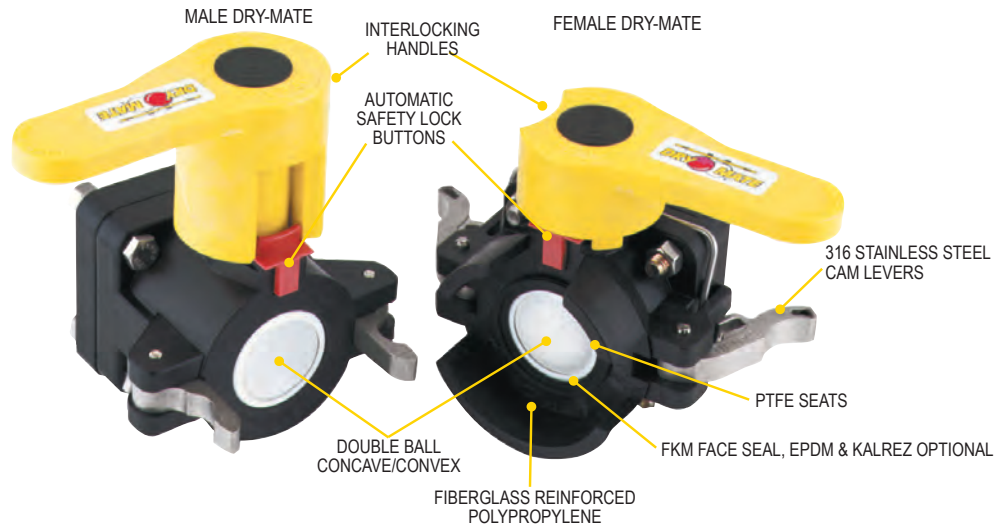
### FEATURES

- Lightweight
- Easy to use
- Economical
- Reduces risk of exposure
- Wide range of chemical resistance
- Unrestricted 1½" flow
- Patented double ball design with cam lever connection
- When properly installed and operated, the assembly will not accidentally separate while fluid is flowing; preventing costly mishaps
- Spillage data: 1½" = 2ml



### REPAIR KIT INCLUDES:

- Ball
- Body gasket
- Thrust washer
- Ball seats
- Upper stem bushing
- Stem o-ring

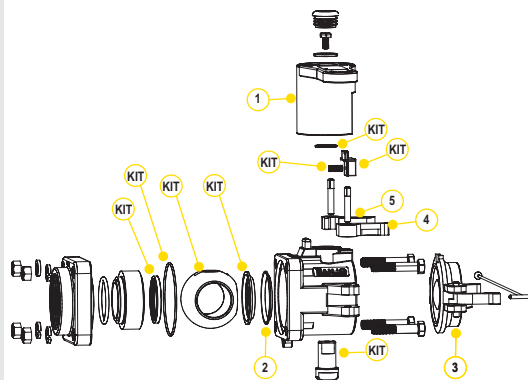


### 1½" POLY MALE DRY-MATE

PART NO	DESCRIPTION	MAX PSI	PIPE SIZE	OPENING THRU BALL	QTY
DM150A	1½" MALE X FPT NPT W/FKM SEALS	100	1½"	1½"	1
DM150AB	1½" MALE X FPT BSP W/FKM SEALS	100	1½"	1½"	1
DM150AE	1½" MALE X FPT NPT W/EPDM SEALS	100	1½"	1½"	1

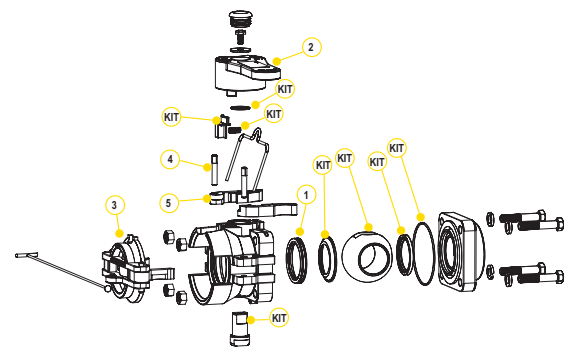
### 1½" POLY FEMALE DRY-MATE

PART NO	DESCRIPTION	MAX PSI	PIPE SIZE	OPENING THRU BALL	QTY
DM150D	1½" FEMALE X FPT NPT W/FKM SEALS	100	1½"	1½"	1
DM150DB	1½" FEMALE X FPT BSP W/FKM SEALS	100	1½"	1½"	1
DM150DE	1½" FEMALE X FPT NPT W/EPDM SEALS	100	1½"	1½"	1



### REPLACEMENT PARTS MALE

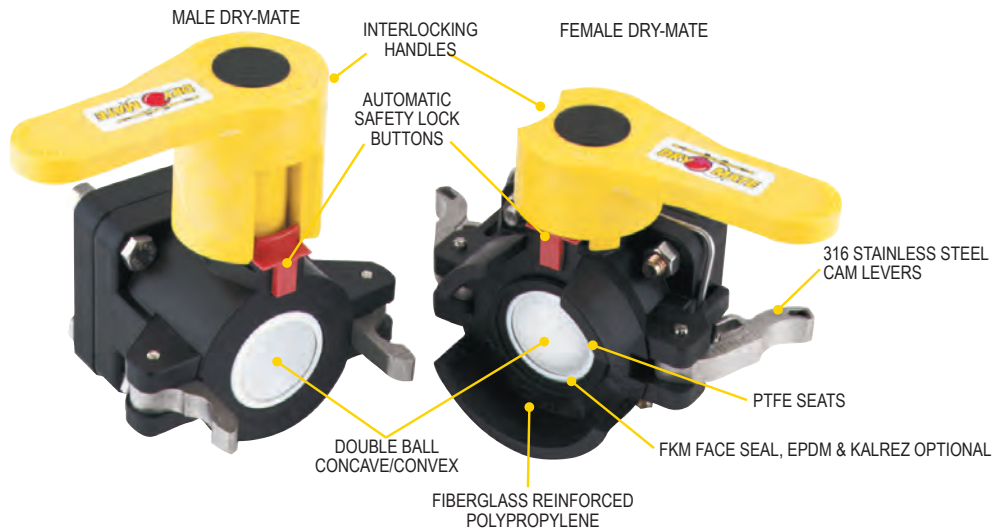
ITEM	PART NO	DESCRIPTION	QTY
1	DM20153M	MALE HANDLE	1
1	DB20153M	LOW PROFILE HANDLE	1
2	DB20290	FKM FACE SEAL	1
2	DB20295	EPDM FACE SEAL	1
2	DM20296	KALREZ® FACE SEAL	1
3	DM200CAP	DUST CAP	1
4	DM20300	PROFILE INSERT	2
5	200P	PIN	2
KIT	DM20200A	REPAIR KIT FOR DM150A	1



### REPLACEMENT PARTS FEMALE

ITEM	PART NO	DESCRIPTION	QTY
1	DM20294A	FKM FACE SEAL	1
1	D20295A	EPDM FACE SEAL	1
1	DM20296	KALREZ® FACE SEAL	1
2	DM20153F	FEMALE HANDLE	1
3	DM200PL	DUST PLUG	1
4	200P	PIN	2
5	DM200KX	CAM ARM	2
KIT	DM20200D	REPAIR KIT FOR DM150D	1

# DRY DISCONNECTS



## 2" POLY MALE DRY-MATE

PART NO	DESCRIPTION	MAX PSI	PIPE SIZE	OPENING THRU BALL	QTY
DM200A	2" MALE X FPT NPT W/FKM SEALS	100	2"	1½"	1
DM200AB	2" MALE X FPT BSP W/FKM SEALS	100	2"	1½"	1
DM200AE	2" MALE X FPT NPT W/EPDM SEALS	100	2"	1½"	1
DM200AT	2" MALE X FPT NPT W/KALREZ® SEALS	100	2"	1½"	1
DMMT201A	2" MALE X MALE NPT W/LOW PROFILE HANDLE	100	2"	1½"	1

## 2" POLY FEMALE DRY-MATE

PART NO	DESCRIPTION	MAX PSI	PIPE SIZE	OPENING THRU BALL	QTY
DM200D	2" FEMALE X FPT NPT W/FKM SEALS	100	2"	1½"	1
DM200DB	2" FEMALE X FPT BSP W/FKM SEALS	100	2"	1½"	1
DM200DE	2" FEMALE W/EPDM SEALS	100	2"	1½"	1
DM200DT	2" FEMALE X FPT NPT W/KALREZ® SEALS	100	2"	1½"	1

## 2" POLY DRY-MATES

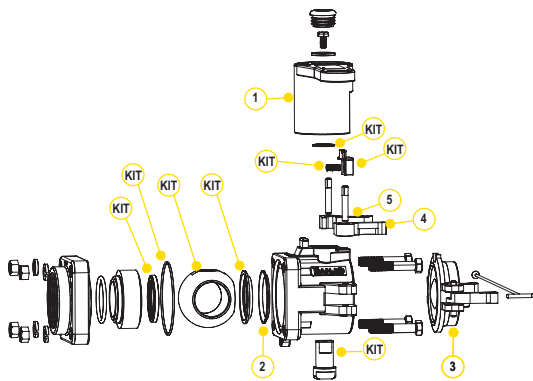
### FEATURES

- Lightweight
- Easy to use
- Economical
- Reduces risk of exposure
- Wide range of chemical resistance
- Unrestricted 1½" flow
- Patented double ball design with cam lever connection
- When properly installed and operated, the assembly will not accidentally separate while fluid is flowing; preventing costly mishaps
- Spillage data: 2" = 2.6ml



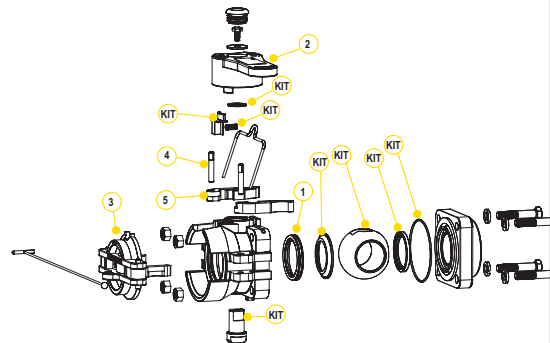
### REPAIR KIT INCLUDES:

- Ball
- Body gasket
- Thrust washer
- Ball seats
- Upper stem bushing
- Stem o-ring



### REPLACEMENT PARTS MALE

ITEM	PART NO	DESCRIPTION	QTY
1	DM20153M	MALE HANDLE	1
1	DB20153M	LOW PROFILE HANDLE	1
2	DB20290	FKM FACE SEAL	1
2	DB20295	EPDM FACE SEAL	1
2	DM20296	KALREZ® FACE SEAL	1
3	DM200CAP	DUST CAP	1
4	DM20300	PROFILE INSERT	2
5	200P	PIN	2
KIT	DM20200A	REPAIR KIT FOR DM200A & DM200AE	1



### REPLACEMENT PARTS FEMALE

ITEM	PART NO	DESCRIPTION	QTY
1	DM20294A	FKM FACE SEAL	1
1	DM20295A	EPDM FACE SEAL	1
1	DM20296	KALREZ® FACE SEAL	1
2	DM20153F	FEMALE HANDLE	1
3	DM200PL	DUST PLUG	1
4	200P	PIN	2
5	DM200KX	CAM ARM	2
KIT	DM20200D	REPAIR KIT FOR DM200D & DM200DE	1

# DRY DISCONNECTS

## 2" FULL PORT POLY DRY-MATES

### FEATURES

- Lightweight
- Easy to use
- Economical
- Reduces risk of exposure
- Wide range of chemical resistance
- Unrestricted 2" flow
- Patented double ball design with cam lever connection
- When properly installed and operated, the assembly will not accidentally separate while fluid is flowing; preventing costly mishaps
- Spillage data: 2" FP = 3.6ml



### REPAIR KIT INCLUDES:

- Body gasket
- Thrust washer
- Ball seats
- Upper stem bushing
- Stem o-ring
- Face seal

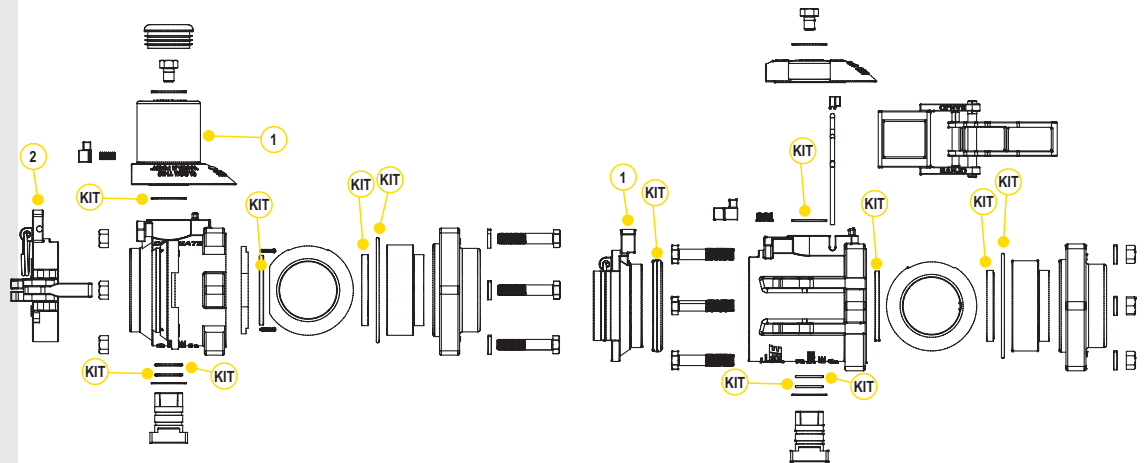


DM220D

DM220A

### 2" FULL PORT POLY DRY-MATES

PART NO	DESCRIPTION	MAX PSI	PIPE SIZE	OPENING THRU BALL	QTY
DM220D	2" FEMALE X FPT NPT W/FKM SEALS	225	2"	2"	1
DM220A	2" MALE X FPT W/FKM SEALS	225	2"	2"	1



### REPLACEMENT PARTS MALE

ITEM	PART NO	DESCRIPTION	QTY
1	DM25153M	MALE HANDLE	1
2	DM220CAP	DUST CAP	1
KIT	DM25200	REPAIR KIT	1

### REPLACEMENT PARTS FEMALE

ITEM	PART NO	DESCRIPTION	QTY
1	DM25153F	FEMALE HANDLE	1
2	DM221PL	DUST PLUG	1
KIT	DM25200	REPAIR KIT	1



# DRY DISCONNECTS

## 3" FULL PORT POLY DRY-MATES



DM300DFP



DM300AFP

### 3" FULL PORT POLY DRY-MATES

PART NO	DESCRIPTION	MAX PSI	PIPE SIZE	OPENING THRU BALL	QTY
DM300AFP	3" FP MALE X 3" FEMALE NPT THREADS W/ FKM SEALS	150	3"	3"	1
DM300DFP	3" FP FEMALE X 3" FEMALE NPT THREADS W/ FKM SEALS	150	3"	3"	1

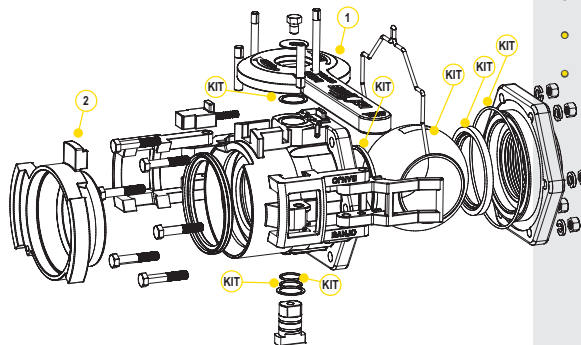
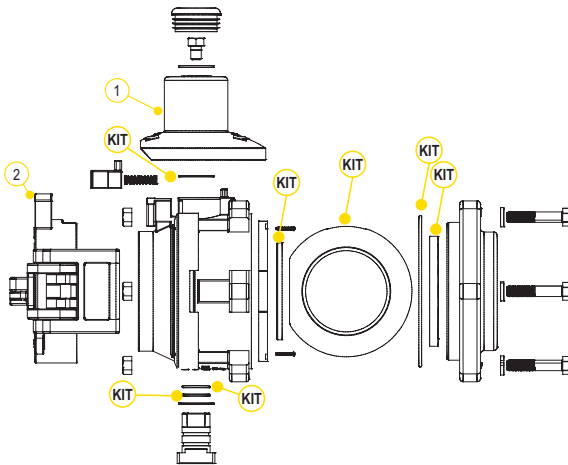
### FEATURES

- Lightweight
- Easy to use
- Economical
- Reduces risk of exposure
- Wide range of chemical resistance
- Unrestricted 3" flow
- Patented double ball design with cam lever connection
- When properly installed and operated, the assembly will not accidentally separate while fluid is flowing; preventing costly mishaps
- Spillage data: 3" = 20ml



### REPAIR KIT INCLUDES:

- Ball
- Body gasket
- Thrust washer
- Ball seats
- Upper stem bushing
- Stem o-ring
- Face seal



### REPLACEMENT PARTS MALE

ITEM	PART NO	DESCRIPTION	QTY
1	DM35153M	MALE HANDLE	1
2	DM300CAP	DUST CAP	1
KIT	DM35200	REPAIR KIT	1

### REPLACEMENT PARTS FEMALE

ITEM	PART NO	DESCRIPTION	QTY
1	DM35153F	FEMALE HANDLE	1
2	DM300PL	DUST PLUG	1
KIT	DM35200	REPAIR KIT	1

# DRY DISCONNECTS

## 1" FULL PORT STAINLESS STEEL DRY-MATES

### FEATURES

- 316 stainless steel construction
- Unrestricted 1" flow
- Patented double ball design with cam lever connection
- 300°F maximum operating temperature
- 100% PTFE ball seats
- When properly installed and operated, the assembly will not accidentally separate while fluid is flowing; preventing costly mishaps
- Spillage data: 1" FP = 1.7ml

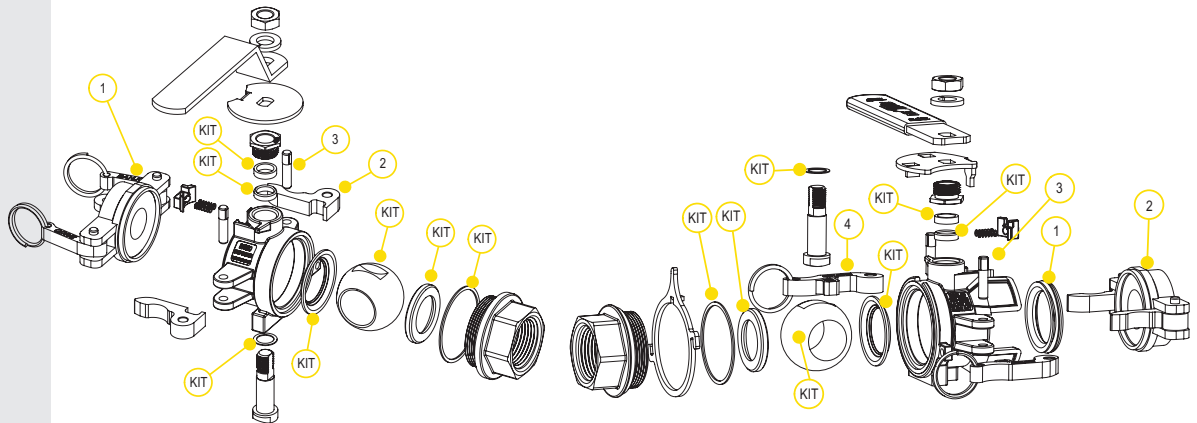


### 1" FULL PORT STAINLESS STEEL DRY-MATE

PART NO	DESCRIPTION	MAX PSI	PIPE SIZE	OPENING THRU BALL	QTY
DM100ASS	1" MALE X FPT NPT W/ PTFE SEALS	150	1"	1"	1
DM100ABSS	1" MALE X BSPP W/ PTFE SEALS	150	1"	1"	1
DM100DSS	1" FEMALE X FPT NPT W/ FKM SEALS	150	1"	1"	1
DM100DSSE	1" FEMALE X FPT NPT W/ EPDM SEALS	150	1"	1"	1
DM100DBSS	1" FEMALE X BSPP W/ FKM SEALS	150	1"	1"	1

### REPAIR KIT INCLUDES:

- Ball
- Body gasket
- Thrust washer
- Ball seats
- Upper stem bushing
- Stem o-ring
- Face seal



### REPLACEMENT PARTS MALE

ITEM	PART NO	DESCRIPTION	QTY
1	DM100CAP	DUST CAP	1
2	DM10300	PROFILE INSERT	2
3	100P	PIN	2
KIT	DM101SS	REPAIR KIT	1

### REPLACEMENT PARTS FEMALE

ITEM	PART NO	DESCRIPTION	QTY
1	DM10294A	FKM FACE SEAL	1
1	DM10295A	EPDM FACE SEAL	1
1	DM10296	KALREZ® FACE SEAL	1
2	DM100PL	POLY PLUG	1
3	100P	PIN	2
4	DM100K	CAM ARM	2
KIT	DM102SSV	FKM REPAIR KIT	1

# DRY DISCONNECTS

## 1½" FULL PORT STAINLESS STEEL DRY-MATES



DM150ASS



DM150DSS

### 1½" FULL PORT STAINLESS STEEL DRY-MATE

PART NO	DESCRIPTION	MAX PSI	PIPE SIZE	OPENING THRU BALL	QTY
DM150ASS	1½" MALE X FPT NPT W/ PTFE SEALS	150	1½"	1½"	1
DM150ABSS	1½" MALE X BSPP W/ PTFE SEALS	150	1½"	1½"	1
DM150DSS	1½" FEMALE X FPT NPT W/ FKM SEALS	150	1½"	1½"	1
DM150DSSE	1½" FEMALE X FPT NPT W/ EPDM SEALS	150	1½"	1½"	1
DM150DBSS	1½" FEMALE X BSPP W/ FKM SEALS	150	1½"	1½"	1

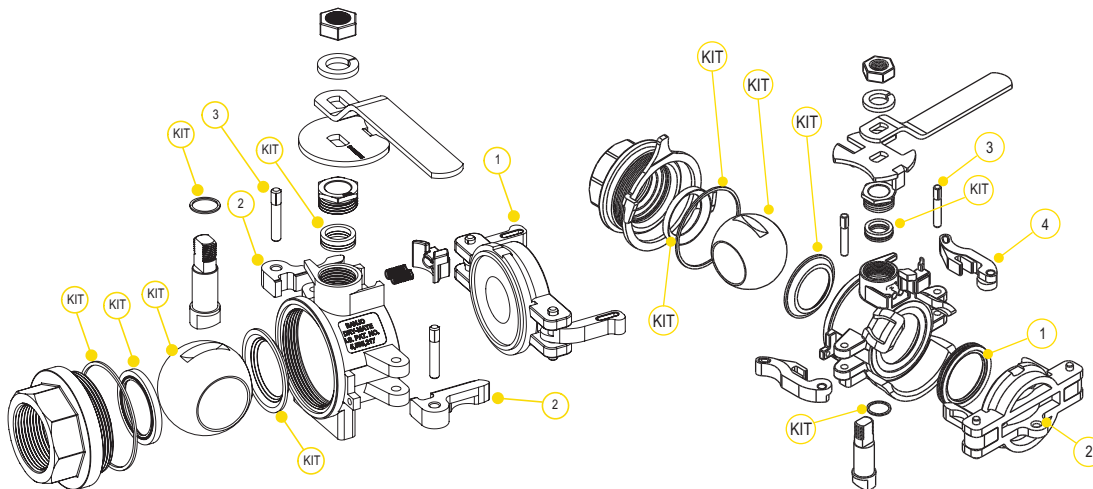
### FEATURES

- 316 stainless steel construction
- Unrestricted 1½" flow
- Patented double ball design with cam lever connection
- 300°F maximum operating temperature
- 100% PTFE ball seats
- When properly installed and operated, the assembly will not accidentally separate while fluid is flowing; preventing costly mishaps
- Spillage data: 1½" FP = 3ml



### REPAIR KIT INCLUDES:

- Ball
- Body gasket
- Thrust washer
- Ball seats
- Upper stem bushing
- Stem o-ring
- Face seal



### REPLACEMENT PARTS MALE

ITEM	PART NO	DESCRIPTION	QTY
1	DM200ACAP	DUST CAP	1
2	DM20300	PROFILE INSERT	2
3	200P	PIN	2
KIT	DM201SS	REPAIR KIT	1

### REPLACEMENT PARTS FEMALE

ITEM	PART NO	DESCRIPTION	QTY
1	DM20294A	FKM FACE SEAL	1
1	DM20295A	EPDM FACE SEAL	1
1	DM20296	KALREZ® FACE SEAL	1
2	DM200APL	DUST PLUG	1
3	200P	PIN	2
4	DM200KX	CAM ARM	2
KIT	DM202SSV	FKM REPAIR KIT	1

# DRY DISCONNECTS

## 2" STAINLESS STEEL DRY-MATES

### FEATURES

- 316 stainless steel construction
- Patented double ball design with cam lever connection
- 300°F maximum operating temperature
- 100% PTFE ball seats
- When properly installed and operated, the assembly will not accidentally separate while fluid is flowing; preventing costly mishaps
- Spillage data: 2" = 3.6ml



DM200ASS



DM200DSS

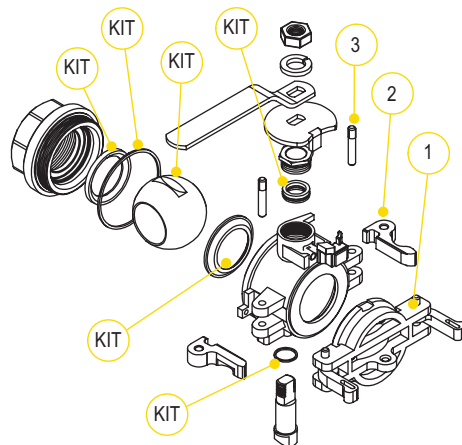
### 2" STANDARD PORT STAINLESS STEEL DRY-MATE

PART NO	DESCRIPTION	MAX PSI	PIPE SIZE	OPENING THRU BALL	QTY
DM200ASS	2" MALE X FPT NPT W/ PTFE SEALS	150	2"	1½"	1
DM200ABSS	2" MALE X BSPP W/ PTFE SEALS	150	2"	1½"	1
DM200DSS	2" FEMALE X FPT NPT W/ FKM SEALS	150	2"	1½"	1
DM200DSST	2" FEMALE X FPT NPT W/ KALREZ® SEALS	150	2"	1½"	1
DM200DBSS	2" FEMALE X BSPP W/ FKM SEALS	150	2"	1½"	1



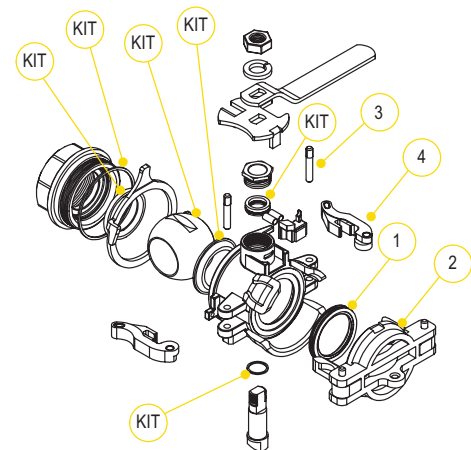
### REPAIR KIT INCLUDES:

- Ball
- Body gasket
- Thrust washer
- Ball seats
- Upper stem bushing
- Stem o-ring
- Face seal



### REPLACEMENT PARTS MALE

ITEM	PART NO	DESCRIPTION	QTY
1	DM200ACAP	DUST CAP	1
2	DM20300	PROFILE INSERT	2
3	200P	PIN	2
KIT	DM201SS	REPAIR KIT	1



### REPLACEMENT PARTS FEMALE

ITEM	PART NO	DESCRIPTION	QTY
1	DM20294A	FKM FACE SEAL	1
1	DM20295A	EPDM FACE SEAL	1
1	DM20296	KALREZ® FACE SEAL	1
2	DM200APL	POLY PLUG	1
3	200P	PIN	2
4	DM200KX	CAM ARM	2
KIT	DM202SSV	FKM REPAIR KIT	1

# DRY DISCONNECTS

## 2" FULL PORT STAINLESS STEEL DRY-MATES



DM220ABSS



DM220DBSS

### FEATURES

- 316 stainless steel construction
- Unrestricted 2" flow
- Patented double ball design with cam lever connection
- 300°F maximum operating temperature
- 100% PTFE ball seats
- When properly installed and operated, the assembly will not accidentally separate while fluid is flowing; preventing costly mishaps
- Spillage data: 2" FP = 3.8ml

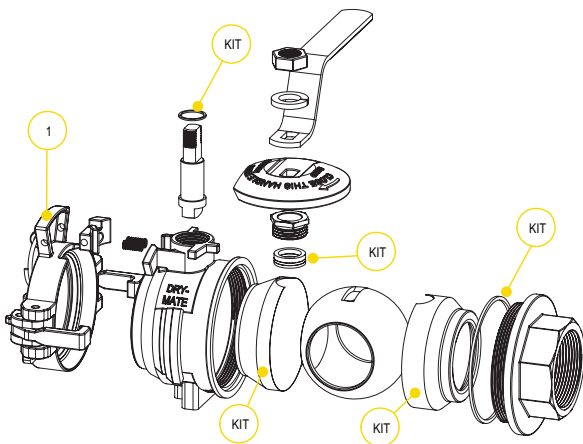
### 2" FULL PORT STAINLESS STEEL DRY-MATE

PART NO	DESCRIPTION	MAX PSI	PIPE SIZE	OPENING THRU BALL	QTY
DM220ASS	2" FULL PORT MALE X FPT NPT W/ PTFE SEALS	300	2"	2"	1
DM220ABSS	2" FULL PORT MALE X BSPP W/ PTFE SEALS	300	2"	2"	1
DM220DSS	2" FULL PORT FEMALE X FPT NPT W/ FKM SEALS	300	2"	2"	1
DM220DBSS	2" FULL PORT FEMALE X BSPP W/ FKM SEALS	300	2"	2"	1



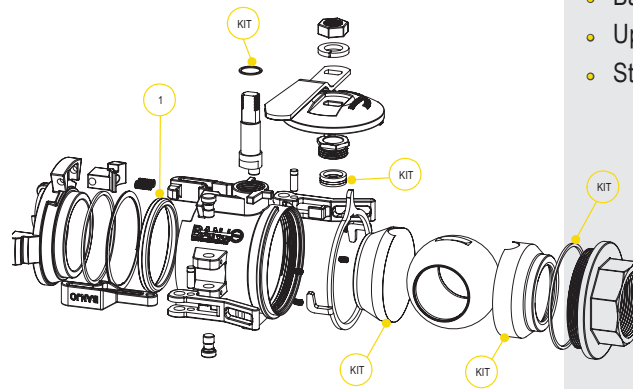
### REPAIR KIT INCLUDES:

- Body gasket
- Thrust washer
- Ball seats
- Upper stem bushing
- Stem o-ring



### REPLACEMENT PARTS MALE

ITEM	PART NO	DESCRIPTION	QTY
1	DM220CAP	DUST CAP	1
KIT	DM221SS	REPAIR KIT	1



### REPLACEMENT PARTS FEMALE

ITEM	PART NO	DESCRIPTION	QTY
1	DM25294	FKM FACE SEAL	1
1	DM25294T	KALREZ® FACE SEAL	1
KIT	DM222SS	REPAIR KIT	1

# DRY DISCONNECTS

## 1" POLY DRY-FITS

### FEATURES

- Double poly-ball valves with integrated quick disconnect
- 1" full-port (unrestricted flow)
- Allows higher pressures & flow
- Economical and simpler design without handle locking feature
- **90+ less spillage** vs. 2 standard valves connected via a coupling



# COMING 2024



### 1/2" POLY MALE DRY-FIT

PART NO	DESCRIPTION	MAX PSI	PIPE SIZE	OPENING THRU BALL	QTY
DF100A	1" MALE X FPT NPT W/FKM SEALS	100	1"	1"	1

### 1/2" POLY FEMALE DRY-FIT

PART NO	DESCRIPTION	MAX PSI	PIPE SIZE	OPENING THRU BALL	QTY
DF100D	1" FEMALE X FPT NPT W/FKM SEALS	100	1"	1"	1



# DRY DISCONNECTS

## DRY POPPET COUPLINGS

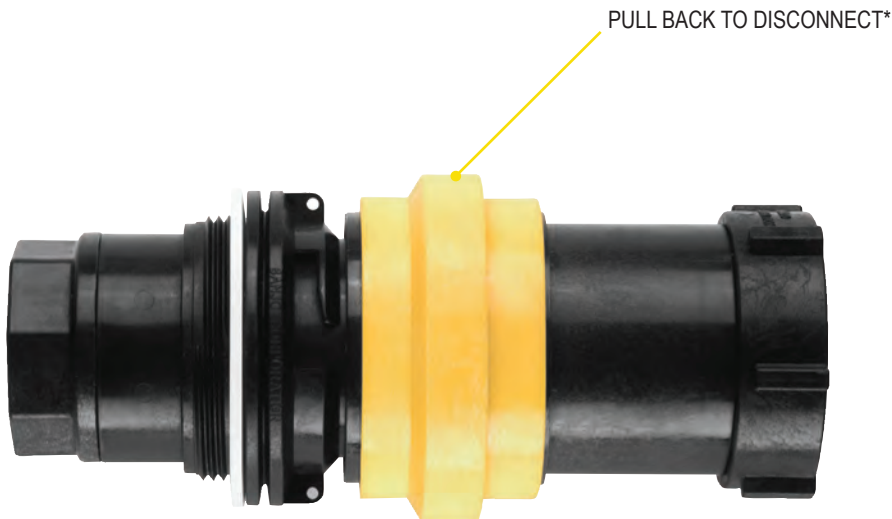


### FEATURES

- Lightweight
- Minimal fluid spillage
- Easy to use
- Economical
- Reduces risk of exposure
- Wide range of chemical resistance
- Maximum operating temperature 150° F
- 30 GPM maximum flow
- Precision molded in polypropylene
- 1" female NPT threads

### APPLICATIONS

- Agriculture
- Industrial
- Pharmaceutical
- Chemical processing



### DRY POPPET COUPLINGS

PART NO	DESCRIPTION	MAX PSI	QTY
DPCF100	FEMALE DRY POPPET COUPLER, 1" FEMALE NPT THREADS W/ FKM SEALS	100	1
DPCM100	MALE DRY POPPET ADAPTER, 1" FEMALE NPT THREADS W/ FKM SEALS	150	1
DPCMT100	MALE DRY POPPET ADAPTER, W/2" MALE THREADED BODY 1" FEMALE NPT THREADS W/ FKM SEALS	150	1

**\*Note:** Male adapter and female coupler shown coupled together but sold separately.

# IBC/TANK ACCESSORIES

## SPIN WELD BALL VALVES

### FEATURES

- PTFE seats
- FKM stem o-rings
- Precision molded polypropylene is reinforced with fiberglass for additional strength
- Zinc alloy collar
- FKM, EPDM and TPV collar gaskets available
- Handles close in either direction
- For faster shipping, order in box quantities



W230237



W230238



W230239



W230240



WSF210FSA



WSF210FSAV



WSMT210FSA



WSMT210FSAV

Identifying collar number found here

### SPINWELD BALL VALVE

PART NO	DESCRIPTION	GASKET MATERIAL	COLLAR FITS	COLLAR NUMBER	COLLAR ID	MAX PSI	QTY
W230237	2" POLY SPINWELD VALVE W/NPT OUTLET & CAP & FOIL SEAL	FKM	MAUSER®	V22283 C & D	2 1/4"	20	1
W230238	2" POLY SPINWELD VALVE W/QDC OUTLET & CAP & FOIL SEAL	FKM	MAUSER®	V22283 C & D	2 1/4"	20	1
W230239	2" POLY SPINWELD VALVE W/NPT OUTLET & CAP & FOIL SEAL	EPDM	MAUSER®	V22283 C & D	2 1/4"	20	1
W230240	2" POLY SPINWELD VALVE W/QDC OUTLET & CAP & FOIL SEAL	EPDM	MAUSER®	V22283 C & D	2 1/4"	20	1
WSF210FSA	2" POLY SPINWELD VALVE W/QDC OUTLET, FOIL SEAL & CAP	TPV	SCHUTZ®	V20280 A & B	2 3/4"	50	1
WSF210FSAV	2" POLY SPINWELD VALVE W/QDC OUTLET, FOIL SEAL & CAP	FKM	SCHUTZ®	V20280 A & B	2 3/4"	50	1
WSMT210FSA	2" POLY SPINWELD VALVE W/NPT OUTLET, FOIL SEAL & CAP	TPV	SCHUTZ®	V20280 A & B	2 3/4"	225	1
WSMT210FSAV	2" POLY SPINWELD VALVE W/NPT OUTLET, FOIL SEAL & CAP	FKM	SCHUTZ®	V20280 A & B	2 3/4"	225	1



# IBC/TANK ACCESSORIES

## FDA UNION VALVE AND ADAPTERS



MBP200



NIP2101



UV204FPFD

### FEATURES

- Precision molded in glass reinforced polypropylene for strength and chemical resistance
- PTFE seats or smooth operation and proper sealing characteristics
- Double EPDM o-rings in stem area for extra sealing protection
- Interlocking body and end plate to allow easy thread connection when installing valves

### UNION VALVE AND ADAPTERS

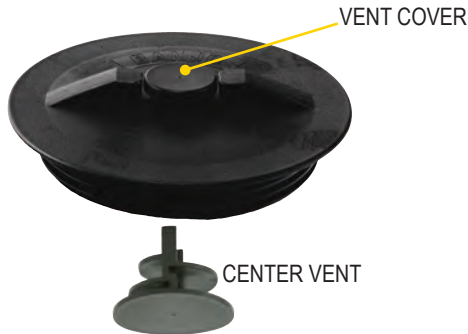
PART NO	DESCRIPTION	MAX PSI	QTY
MBP200	2" BUTTRESS X 2" NPT ASSEMBLY	200	1
NIP2101	2" NPT X BSP NIPPLE	300	1
UV204FPFD	2" FDA UNION VALVE WITH EPDM	225	1

# IBC/TANK ACCESSORIES

## TANK LIDS

### FEATURES

- Maximum air flow through vent channels
- Airflow equivalent to a 3" hole
- No secondary venting needed
- Baffled vents
- Center vent goes in underside of lid
- NPT Threads



### IBC SOLID TANK LIDS

PART NO	DESCRIPTION	GASKET	LOT QTY
TL650S	6" SOLID TANK LID W/GASKET	TPV	10

### IBC TANK LID WITH UNVENTED PLUG

PART NO	DESCRIPTION	GASKET	LOT QTY
TL651S	6" TANK LID W/ UNVENTED 2" PLUG W/GASKET	TPV	10

### IBC TANK LIDS WITH VENTED PLUG

PART NO	DESCRIPTION	GASKET	QTY
TL652S	6" TANK LID W/ VENTED 2" PLUG W/GASKET	TPV	1
TL652E	6" TANK LID VENTED 2" PLUG W/GASKET	EPDM	1

### TANK LID FOR SPRAY TANKS

PART NO	DESCRIPTION	GASKET	QTY
TL600C	6" VENTED TANK LID	N/A	1

### VENTED TANK LIDS

PART NO	DESCRIPTION	GASKET	QTY
TLVA10	10" VENTED TANK LID & RING ASSEMBLY (NEW STYLE)	N/A	1

## SIPHON TUBES

### FEATURES

- Full flow size
- Long length
- Male NPT threads
- Made of polypropylene



### SIPHON TUBES

PART NO	DESCRIPTION	LOT QTY
ST200	2" POLY SIPHON TUBE	5
ST300	3" POLY SIPHON TUBE	5

# IBC/TANK ACCESSORIES



## BUTTRESS BY MALE ADAPTER

PART NO	DESCRIPTION	GASKET	PSI	LOT QTY
TA283	2" BUTTRESS X 2" MALE NPT THREADS W/GASKET	TPV	300	10
TA283QD	2" BUTTRESS X 2" MALE ADAPTER QDC W GASKET	TPV	150	10



## CAPS

PART NO	DESCRIPTION	PSI	QTY
201FPT	2" FEMALE NPT CAP - BLACK	20	1
211FPT	2" FEMALE NPT CAP - YELLOW	N/A	1



## BUNG PLUGS

PART NO	DESCRIPTION	QTY
231MPT	2" MPT SOLID BUNG W/ EPDM GASKET	1
TL6531	2" VENTED PLUG W/ EPDM GASKET	1



## DUST CAPS & LANYARD

PART NO	DESCRIPTION	PSI	LOT QTY
200CAP	2" CAM LEVER DUST CAP	200	20
200CAPSH	2" CAM LEVER DUST CAP WITH SHORT ARMS	200	10
201CAPSH	2" CAM LEVER DUST CAP W/SHORT ARMS & RINGS	N/A	10
202CAP	2" CAM LEVER DUST CAP	20	10
V20207	11" POLYURETHANE LANYARD	N/A	1

## POLYPROPYLENE ACCESSORIES

### FEATURES

- Glass reinforced polypropylene

# IBC/TANK ACCESSORIES

## BOLTED TANK FLANGES

### FEATURES

- Stainless steel bolts
- Bolt head plugs ultrasonically sealed
- Glass reinforced polypropylene
- EPDM gaskets standard and FKM available
- **WARNING:** Do not tighten tank flange bolts more than 12 ft pounds



BF150



BF300



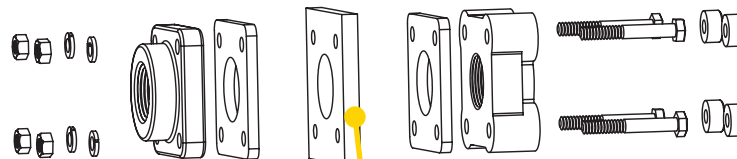
### BOLTED TANK FLANGES

PART NO	DESCRIPTION	PSI	LOT QTY
BF075	3/4" X 1" THREADED FLANGE W/EPDM GASKET	150	10
BF100	1" X 1" THREADED FLANGE W/EPDM GASKET	150	10
BF150	1 1/2" X 2" THREADED FLANGE W/EPDM GASKET	150	5
BF200	2" X 2" THREADED FLANGE W/EPDM GASKET	150	10
BF200V	2" X 2" THREADED FLANGE W/FKM GASKET	150	10
BF220	2" X 2" FP THREADED FLANGE W/EPDM GASKET	150	5
BF300	3" X 3" THREADED FLANGE W/EPDM GASKET	150	4

### BOLTED TANK FLANGE GASKETS

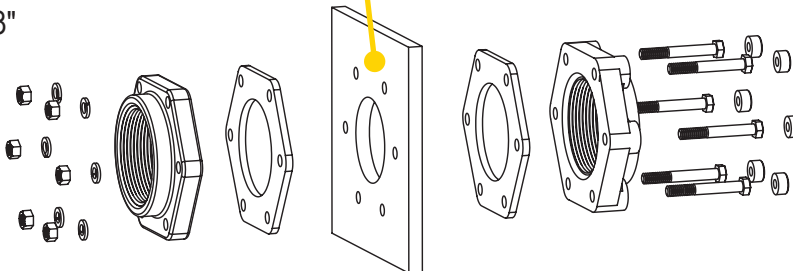
PART NO	DESCRIPTION	PSI	QTY
BF100GE	1" EPDM GASKET	N/A	1
BF200GE	1 1/2" & 2" EPDM GASKET	N/A	1
BF200GV	1 1/2" & 2" FKM GASKET	N/A	1
BF220GE	2" FULL PORT EPDM GASKET	N/A	1
BF220GV	2" FULL PORT FKM GASKET	N/A	1
BF300GE	3" EPDM GASKET	N/A	1
BF300GV	3" FKM GASKET	N/A	1

3/4" — 2"



Tank Wall

3"



# IBC/TANK ACCESSORIES

## BOLTED BOTTOM DRAIN TANK FLANGES

### FEATURES

- Stainless steel bolts
- Bolt head plugs ultrasonically sealed
- Glass reinforced polypropylene
- EPDM gaskets standard and FKM available
- Allows 100% rinse free
- No sediment build up
- Excellent for avoiding herbicide cross contamination
- Fits most cone bottom and chemical inductor tanks, 30 gallons and larger.
- For faster shipping, order in box quantities



### BOLTED TANK FLANGES

PART NO	DESCRIPTION	MAX PSI	LOT QTY
BF075BD	3/4" X 1" THREADED POLY FLANGE W/ EPDM GASKET	150	5
BF100BD	1" X 1" THREADED POLY FLANGE W/EPDM GASKET	150	5
BF150BD	1 1/2" X 2" THREADED POLY FLANGE W/EPDM GASKET	150	5
BF200BD	2" X 2" THREADED POLY FLANGE W/EPDM GASKET	150	5
BF220BD	2" X 2" FULL PORT THREADED POLY FLANGE W/EPDM GASKET	150	5
BF300BD	3" X 3" THREADED POLY FLANGE W/EPDM GASKET	150	4

### BOLTED TANK FLANGE GASKETS

PART NO	DESCRIPTION	MAX PSI	QTY
BF100GE	3/4", 1" & 1 1/4" EPDM GASKET	N/A	1
BF100GRE	3/4", 1" & 1 1/4" FOOT EPDM GASKET	N/A	1
BF100GRV	3/4", 1" & 1 1/4" FOOT FKM GASKET	N/A	1
BF200GE	1 1/2" & 2" EPDM GASKET	N/A	1
BF200GV	1 1/2" & 2" FKM GASKET	N/A	1
BF200GFV	1 1/2" & 2" STD. PORT, 2" FULL PORT FOOT FKM GASKET	N/A	1
BF220GE	2" FULL PORT EPDM GASKET	N/A	1
BF220GV	2" FULL PORT FKM GASKET	N/A	1
BF300GE	3" EPDM GASKET	N/A	1
BF300GV	3" FKM GASKET	N/A	1
BF300GFE	3" FOOT EPDM GASKET	N/A	1
BF300GFV	3" FOOT FKM GASKET	N/A	1

# IBC/TANK ACCESSORIES

## BULKHEAD TANK FITTINGS

### FEATURES

- Double sided female NPT threads
- Available with EPDM or FKM gasket
- Where noted, parts must be ordered in bag quantities



### POLY BULKHEAD FITTINGS

PART NO	DESCRIPTION	HOLE SIZE	MAX PSI	LOT QTY
TF050	1/2" POLY BULKHEAD TANK FITTING W/EPDM GASKET	1 5/8"	300	10/BAG
TF075	3/4" POLY BULKHEAD TANK FITTING W/EPDM GASKET	1 5/8"	300	10/BAG
TF075V	3/4" POLY BULKHEAD TANK FITTING W/FKM GASKET	1 5/8"	300	10
TF100	1" POLY BULKHEAD TANK FITTING W/EPDM GASKET	2 1/4"	300	10/BAG
TF125	1 1/4" POLY BULKHEAD TANK FITTING W/EPDM GASKET	2 1/4"	300	10
TF150	1 1/2" POLY BULKHEAD TANK FITTING W/EPDM GASKET	3"	300	10
TF200	2" POLY BULKHEAD TANK FITTING W/EPDM GASKET	3"	300	10
TF200V	2" POLY BULKHEAD TANK FITTING W/FKM GASKET	3"	300	10
TF220	2" POLY BULKHEAD TANK FITTING W/EPDM GASKET	3 1/4"	300	10
TF300	3" POLY BULKHEAD TANK FITTING W/EPDM GASKET	4 1/2"	300	5
TF400	4" POLY BULKHEAD TANK FITTING W/EPDM GASKET	5 3/4"	225	5

### 316 STAINLESS STEEL BULKHEAD FITTINGS



PART NO	DESCRIPTION	HOLE SIZE	MAX PSI	QTY
TF038SS	3/8" SS BULKHEAD TANK FITTING W/EPDM GASKET	1"	300	1
TF050SS	1/2" SS BULKHEAD TANK FITTING W/EPDM GASKET	1 3/8"	300	1
TF075SS	3/4" SS BULKHEAD TANK FITTING W/EPDM GASKET	1 5/8"	300	1
TF100SS	1" SS BULKHEAD TANK FITTING W/EPDM GASKET	2 1/4"	300	1
TF125SS	1 1/4" SS BULKHEAD TANK FITTING W/EPDM GASKET	2 1/4"	300	1
TF150SS	1 1/2" SS BULKHEAD TANK FITTING W/EPDM GASKET	3"	300	1
TF200SS	2" SS BULKHEAD TANK FITTING W/EPDM GASKET	3"	300	1
TF220SS	2" SS BULKHEAD TANK FITTING W/EPDM GASKET	3 1/4"	300	1
TF300SS	3" SS BULKHEAD TANK FITTING W/EPDM GASKET	4 3/8"	300	1

### BULKHEAD GASKETS

PART NO	DESCRIPTION	HOLE SIZE	FITS POLY	FITS SS	LOT QTY
100G	3/8" BULKHEAD EPDM GASKET	1"		TF038SS	25
100GV	3/8" BULKHEAD FKM GASKET	1"		TF038SS	10
TF100G	1" TANK FLANGE EPDM GASKET	2 7/32"		TF100V	25
TF100GV	1" TANK FLANGE FKM GASKET	2 7/32"		TF100V	10
TF138GV	1/2" BULKHEAD FKM GASKET	1 3/8"		TF050SS	10
150G	1/2" & 3/4" BULKHEAD EPDM GASKET	1 5/8"	TF050 & TF075	TF075SS	25
150GV	1/2" & 3/4" BULKHEAD FKM GASKET	1 5/8"	TF050 & TF075	TF075SS	10
200G	2" BULKHEAD EPDM GASKET	2 1/4"	TF100 & TF125	TF100SS & TF125SS	25
200GV	2" BULKHEAD FKM GASKET	2 1/4"	TF100 & TF125	TF100SS & TF125SS	10
300G	1 1/2" & 2" BULKHEAD EPDM GASKET	3"	TF200 & TF150	TF200SS & TF150SS	25
300GV	1 1/2" & 2" BULKHEAD FKM GASKET	3"	TF200 & TF150	TF200SS & TF150SS	10
TF220G	2" BULKHEAD EPDM GASKET	3 1/4"	TF220	TF220SS	1
TF300G	3" BULKHEAD EPDM GASKET	4 1/2"	TF300	TF300SS	1
TF400G	4" POLY BULKHEAD EPDM GASKET	5 3/4"	TF400		1
TF400GV	4" POLY BULKHEAD FKM GASKET	5 3/4"	TF400		1

# IBC/TANK ACCESSORIES

## ANTI VORTEX VENT CAPS



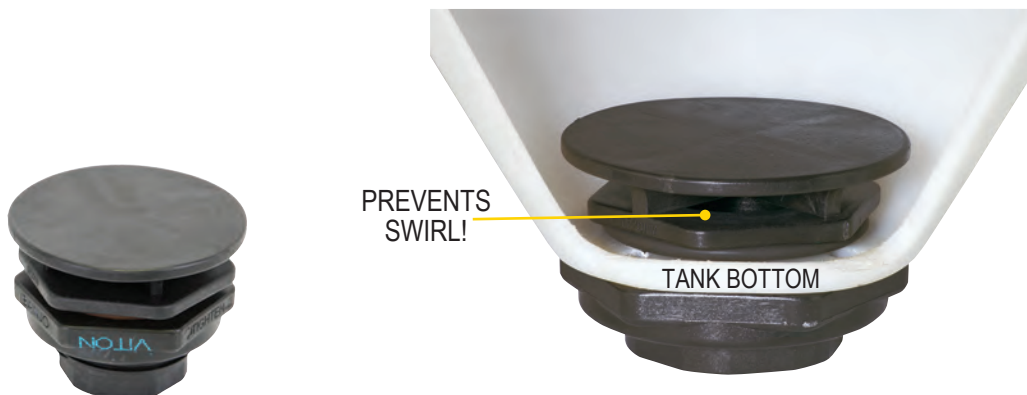
### FEATURES

- Male NPT
- Glass reinforced polypropylene
- 304 stainless steel screen

### ANTI VORTEX VENT CAPS

PART NO	DESCRIPTION	BORE SIZE	BORE AREA	VENT AREA	LOT QTY
VC200	2" ANTI VORTEX VENT CAP WITHOUT SCREEN	2"	3.1 SQ IN	3.9 SQ IN	10
VC230	2" ANTI VORTEX VENT CAP W/12 MESH SS SCREEN	2"	3.1 SQ IN	3.9 SQ IN	10
VC300	3" ANTI VORTEX VENT CAP WITHOUT SCREEN	3"	7 SQ IN	9 SQ IN	10
VC330	3" ANTI VORTEX VENT CAP W/10 MESH SS SCREEN	3"	7 SQ IN	9 SQ IN	1

## ANTI VORTEX TANK FLANGES



### FEATURES

- Standard with FKM
- Prevents swirl in bottom of tank

### ANTI VORTEX TANK FLANGES

PART NO	DESCRIPTION	HOLE SIZE	QTY
TF100AV	1" ANTI VORTEX TANK FLANGES	2 1/4"	1
TF125AV	1 1/4" ANTI VORTEX TANK FLANGES	2 1/4"	1
TF150AV	1 1/2" ANTI VORTEX TANK FLANGES	3"	1
TF200AV	2" ANTI VORTEX TANK FLANGES	3"	1

# IBC/TANK ACCESSORIES

## ANSI FLANGES

### FEATURES

- Glass reinforced polypropylene
- Heavy duty



### THREADED ANSI FLANGES

PART NO	DESCRIPTION	LOT QTY
AF100	1" FEMALE THREADED ANSI FLANGE	10/BAG
AF150	1½" FEMALE THREADED ANSI FLANGE	10/BAG
AF200	2" FEMALE THREADED ANSI FLANGE	10
AF300	3" FEMALE THREADED ANSI FLANGE	5
AF400	4" FEMALE THREADED ANSI FLANGE	5

### BLIND ANSI FLANGES

PART NO	DESCRIPTION	LOT QTY
AFB200	2" BLIND ANSI FLANGE	10/BAG
AFB300	3" BLIND ANSI FLANGE	5

### ANSI FLANGE GASKETS

PART NO	DESCRIPTION	QTY
AF100G	1" ANSI FLANGE EPDM GASKET	1
AF100GV	1" ANSI FLANGE FKM GASKET	1
AF150G	1½" ANSI FLANGE EPDM GASKET	1
AF200G	2" ANSI FLANGE EPDM GASKET	1
AF200GV	2" ANSI FLANGE FKM GASKET	1
AF300G	3" ANSI FLANGE EPDM GASKET	1
AF300GV	3" ANSI FLANGE FKM GASKET	1
AF400G	4" ANSI FLANGE EPDM GASKET	1
AF400GV	4" ANSI FLANGE FKM GASKET	1



# CAM LEVER COUPLINGS



## 1/4"-4" POLYPROPYLENE

### FEATURES

- Stainless steel rings, arms and pins
- Versatile — interchangeable with all types of cam lever couplings
- Precision molded — ensures a uniform and accurate fit
- Durable — polypropylene is glass reinforced for rugged strength
- Smooth operating — finger rings are designed for easy opening of cam levers
- Economical and superior in performance
- Where noted, parts must be ordered in bag quantities
- 1/4" and 1/2" series couplings interchange with 3/4" size couplings. Coupling ends are 3/4" size.
- 1 1/4" series couplings interchange with 1" size couplings. Coupling ends are 1" size.
- 1 1/2" x 1 1/4" couplings interchange with 1 1/2" size couplings. Coupling ends are 1 1/2" size.

### POLYPROPYLENE CAM LEVER COUPLINGS

ITEM	DESCRIPTION	1/4"	1/2"	3/4"	1"	1 1/4"	1 1/2" x 1 1/4"	1 1/2"	2"	2 1/2"	3"	3" 3 ARMS	4" 3 ARMS
A	MALE ADAPTER X FEMALE THREAD	75A1/4	75A1/2	75A3/4	100A	125A	150125A	150A	200A		300A		400A
B	FEMALE COUPLER X MALE THREAD		75B1/2	75B3/4	100B	125B	150125B	150B	200B		300B	303B	400B
C	FEMALE COUPLER X HOSE BARB		050C	075C	100C	125C	150125C	150C	200C		300C	303C	400C
D	FEMALE COUPLER X FEMALE THREAD		050D	075D	100D	125D	150125D	150D	200D		300D		400D
E	MALE ADAPTER X HOSE BARB		050E	075E	100E	125E	150125E	150E	200E		300E		400E
F	MALE ADAPTER X MALE THREAD		050F	075F	100F	125F	150125F	150F	200F		300F		400F
PL	PLUG FOR FEMALE COUPLER		75PL	75PL	100125PL	100125PL	150PL	150PL	200PL		300PL		400PL
CAP	CAP FOR MALE ADAPTER		075CAP	075CAP	100125CAP	100125CAP	150CAP	150CAP	200CAP	250CAP	300CAP		400CAP (2 arms)
CAPSH	CAP WITH SHORT ARMS						200CAPSH						

### 1/4" SERIES POLY CAM LEVER COUPLINGS

PART NO	DESCRIPTION	MAX PSI	GASKET	LOT QTY
75A1/4	3/4" MALE ADAPTER X 1/4" FEMALE THREAD	300	N/A	10/BAG

### 1/2" SERIES POLY CAM LEVER COUPLINGS

PART NO	DESCRIPTION	MAX PSI	GASKET	LOT QTY
75A1/2	3/4" MALE ADAPTER X 1/2" FEMALE THREAD	225	N/A	10/BAG
75B1/2	3/4" FEMALE COUPLER X 1/2" MALE THREAD	300	EPDM	10/BAG
050C	3/4" FEMALE COUPLER X 1/2" HOSE BARB	300	EPDM	10/BAG
050D	3/4" FEMALE COUPLER X 1/2" FEMALE THREAD	300	EPDM	10/BAG
050E	3/4" MALE ADAPTER X 1/2" HOSE BARB	300	N/A	10/BAG
050F	3/4" MALE ADAPTER X 1/2" MALE THREAD	300	N/A	10/BAG
075CAP	3/4" CAP X MALE ADAPTER	300	EPDM	10/BAG
75PL	3/4" PLUG X FEMALE COUPLER	300	N/A	10/BAG



**WARNING!** Couplings should not be disconnected under pressure or with liquid in the line.

# CAM LEVER COUPLINGS

## 1/4"-4" POLYPROPYLENE

### FEATURES

- Stainless steel rings, arms and pins
- Versatile — interchangeable with all types of cam lever couplings
- Precision molded — ensures a uniform and accurate fit
- Durable — polypropylene is glass reinforced for rugged strength
- Smooth operating — finger rings are designed for easy opening of cam levers
- Economical and superior in performance
- Standard with EPDM gaskets, FKM gaskets can be ordered separately on page 79
- Where noted, parts must be ordered in bag quantities
- 1/4", 3/8" and 1/2" series couplings interchange with 3/4" size couplings. Coupling ends are 3/4" size.
- 1 1/4" series couplings interchange with 1" size couplings. Coupling ends are 1" size.
- 1 1/2" x 1 1/4" couplings interchange with 1 1/2" size couplings. Coupling ends are 1 1/2" size.



WARNING! Couplings should not be disconnected under pressure or with liquid in the line.

### 3/4" SERIES POLY CAM LEVER COUPLINGS

PART NO	DESCRIPTION	MAX PSI	GASKET	LOT QTY
75A3/4	3/4" MALE ADAPTER X 3/4" FEMALE THREAD	225	N/A	10/BAG
75B3/4	3/4" FEMALE COUPLER X 3/4" MALE THREAD	300	EPDM	10/BAG
075C	3/4" FEMALE COUPLER X 3/4" HOSE BARB	300	EPDM	10/BAG
075D	3/4" FEMALE COUPLER X 3/4" FEMALE THREAD	300	EPDM	10/BAG
075E	3/4" MALE ADAPTER X 3/4" HOSE BARB	300	N/A	10/BAG
075F	3/4" MALE ADAPTER X 3/4" MALE THREAD	300	N/A	10/BAG
075CAP	3/4" CAP X MALE ADAPTER	300	EPDM	10/BAG
75PL	3/4" PLUG X FEMALE COUPLER	300	N/A	10/BAG

### 1" SERIES POLY CAM LEVER COUPLINGS

PART NO	DESCRIPTION	MAX PSI	GASKET	LOT QTY
100A	1" MALE ADAPTER X 1" FEMALE THREAD	300	N/A	10/BAG
100B	1" FEMALE COUPLER X 1" MALE THREAD	300	EPDM	10/BAG
100C	1" FEMALE COUPLER X 1" HOSE BARB	300	EPDM	10/BAG
100D	1" FEMALE COUPLER X 1" FEMALE THREAD	300	EPDM	10/BAG
100E	1" MALE ADAPTER X 1" HOSE BARB	300	N/A	10/BAG
100F	1" MALE ADAPTER X 1" MALE THREAD	300	N/A	10/BAG
100125CAP	1" CAP X MALE ADAPTER	300	EPDM	10/BAG
100125PL	1" PLUG X FEMALE COUPLER	300	N/A	10/BAG

### 1 1/4" SERIES POLY CAM LEVER COUPLINGS

PART NO	DESCRIPTION	MAX PSI	GASKET	LOT QTY
125A	1" MALE ADAPTER X 1 1/4" FEMALE THREAD	300	N/A	10/BAG
125B	1" FEMALE COUPLER X 1 1/4" MALE THREAD	300	EPDM	10/BAG
125C	1" FEMALE COUPLER X 1 1/4" HOSE BARB	300	EPDM	10/BAG
125D	1" FEMALE COUPLER X 1 1/4" FEMALE THREAD	300	EPDM	10/BAG
125E	1" MALE ADAPTER X 1 1/4" HOSE BARB	300	N/A	10/BAG
125F	1" MALE ADAPTER X 1 1/4" MALE THREAD	300	N/A	10/BAG
100125CAP	1" CAP X MALE ADAPTER	300	EPDM	10/BAG
100125PL	1" PLUG X FEMALE COUPLER	300	N/A	10/BAG

### 1 1/2" X 1 1/4" SERIES POLY CAM LEVER COUPLINGS

PART NO	DESCRIPTION	MAX PSI	GASKET	LOT QTY
150125A	1 1/2" MALE ADAPTER X 1 1/4" FEMALE THREAD	225	N/A	10/BAG
150125B	1 1/2" FEMALE COUPLER X 1 1/4" MALE THREAD	300	EPDM	10
150125C	1 1/2" FEMALE COUPLER X 1 1/4" HOSE BARB	300	EPDM	10
150125D	1 1/2" FEMALE COUPLER X 1 1/4" FEMALE THREAD	300	EPDM	10
150125E	1 1/2" MALE ADAPTER X 1 1/4" HOSE BARB	225	EPDM	10/BAG
150125F	1 1/2" MALE ADAPTER X 1 1/4" MALE THREAD	300	N/A	10/BAG
150CAP	1 1/2" CAP X MALE ADAPTER	300	EPDM	10
150PL	1 1/2" PLUG X FEMALE COUPLER	225	N/A	10/BAG

### 1 1/2" SERIES POLY CAM LEVER COUPLINGS

PART NO	DESCRIPTION	MAX PSI	GASKET	LOT QTY
150A	1 1/2" MALE ADAPTER X 1 1/2" FEMALE THREAD	225	N/A	10/BAG
150B	1 1/2" FEMALE COUPLER X 1 1/2" MALE THREAD	300	EPDM	10
150C	1 1/2" FEMALE COUPLER X 1 1/2" HOSE BARB	300	EPDM	10
150D	1 1/2" FEMALE COUPLER X 1 1/2" FEMALE THREAD	300	EPDM	10
150E	1 1/2" MALE ADAPTER X 1 1/2" HOSE BARB	200	N/A	10/BAG
150F	1 1/2" MALE ADAPTER X 1 1/2" MALE THREAD	300	N/A	10/BAG
150CAP	1 1/2" CAP X MALE ADAPTER	300	EPDM	10
150PL	1 1/2" PLUG X FEMALE COUPLER	225	N/A	10/BAG

# CAM LEVER COUPLINGS

## 2" SERIES POLY CAM LEVER COUPLINGS

PART NO	DESCRIPTION	MAX PSI	GASKET	LOT QTY
200A	2" MALE ADAPTER X 2" FEMALE THREAD	225	N/A	10/BAG
200B	2" FEMALE COUPLER X 2" MALE THREAD	225	EPDM	20
201B	2" FEMALE COUPLER X 2" EXTENDED MALE THREAD	200	EPDM	10
200C	2" FEMALE COUPLER X 2" HOSE BARB	225	EPDM	20
200D	2" FEMALE COUPLER X 2" FEMALE THREAD	200	EPDM	20
200E	2" MALE ADAPTER X 2" HOSE BARB	200	N/A	10/BAG
200F	2" MALE ADAPTER X 2" MALE THREAD	300	N/A	10/BAG
200CAP	2" CAP X MALE ADAPTER	200	EPDM	20
200CAPSH	2" CAP X MALE ADAPTER W/SHORT ARMS	200	EPDM	10
200PL	2" PLUG X FEMALE COUPLER	225	N/A	10/BAG



## 2" X 1½" SERIES POLY CAM LEVER COUPLINGS

PART NO	DESCRIPTION	MAX PSI	GASKET	LOT QTY
200150C	2" FEMALE COUPLER X 1½" HOSE BARB	300	EPDM	10

## 2½" SERIES POLY CAM LEVER COUPLINGS

PART NO	DESCRIPTION	MAX PSI	GASKET	QTY
250CAP	2½" CAP X MALE ADAPTER	300	EPDM	1

## 3" SERIES POLY CAM LEVER COUPLINGS

PART NO	DESCRIPTION	MAX PSI	GASKET	LOT QTY
300A	3" MALE ADAPTER X 3" FEMALE THREAD	100	N/A	10
300B	3" FEMALE COUPLER X 3" MALE THREAD	150	EPDM	10
303B	3" FEMALE COUPLER X 3" EXTENDED MALE THREAD	200	EPDM	10
303B200A	3" FEMALE COUPLER W/ 3 ARMS X 2" MALE ADAPTER	200	EPDM	10
300C	3" FEMALE COUPLER X 3" HOSE BARB	200	EPDM	10
303C	3" FEMALE COUPLER W/ 3 ARMS X 3" HOSE BARB	200	EPDM	10
300D	3" FEMALE COUPLER X 3" FEMALE THREAD	200	EPDM	10
300E	3" MALE ADAPTER X 3" HOSE BARB	150	N/A	10
300F	3" MALE ADAPTER X 3" MALE THREAD	100	N/A	10
300CAP	3" CAP X MALE ADAPTER	100	EPDM	10
300PL	3" PLUG X FEMALE COUPLER	150	N/A	10



## 4" SERIES POLY CAM LEVER COUPLINGS

PART NO	DESCRIPTION	MAX PSI	GASKET	LOT QTY
400A	4" MALE ADAPTER X 4" FEMALE THREAD	75	N/A	10
400B	4" FEMALE COUPLER X 4" MALE THREAD	150	EPDM	10
400C	4" FEMALE COUPLER X 4" HOSE BARB	150	EPDM	10
400D	4" FEMALE COUPLER X 4" FEMALE THREAD	100	EPDM	10
400E	4" MALE ADAPTER X 4" HOSE BARB	50	N/A	10
400F	4" MALE ADAPTER X 4" MALE THREAD	75	N/A	10
400CAP	4" CAP X MALE ADAPTER (W/2 ARMS)	100	EPDM	10
400PL	4" PLUG X FEMALE COUPLER	75	N/A	10

## ¼"-4" POLYPROPYLENE

### FEATURES

- Stainless steel rings, arms and pins
- Versatile — interchangeable with all types of cam lever couplings
- Precision molded — ensures a uniform and accurate fit
- Durable — polypropylene is glass reinforced for rugged strength
- Smooth operating — finger rings are designed for easy opening of cam levers
- Economical and superior in performance
- Where noted, parts must be ordered in bag quantities
- ¼", ⅜" and ½" series couplings interchange with ¾" size couplings. Coupling ends are ¾" size.
- 1¼" series couplings interchange with 1" size couplings. Coupling ends are 1" size.
- 1½" x 1¼" couplings interchange with 1½" size couplings. Coupling ends are 1½" size.



**WARNING!** Couplings should not be disconnected under pressure or with liquid in the line.

# CAM LEVER COUPLINGS

1/4"-4" POLYPROPYLENE

## FEATURES

- Chemical resistant to protect against corrosion
- Versatile to interchange with all types of cam lever couplings
- Smooth operation makes connections quick and easy
- Where noted, parts must be ordered in bag quantities
- Locking cam arm lever is not intended to be used as a security device or prevent unauthorized opening of coupling assembly.



**WARNING!** Couplings should not be disconnected under pressure or with liquid in the line.

EASY ACTION  
LOCKING LEVER!



EPDM



FKM

LOCKING ARM  
WITH RING



PIN

## 1 1/2" - 2" SERIES LOCKING POLY CAM LEVER COUPLINGS

PART NO	DESCRIPTION	MAX PSI	GASKET	QTY
L200B	2" FEMALE COUPLER X 2" MALE THREAD	225	EPDM	1
L200C	2" FEMALE COUPLER X 2" HOSE BARB	225	EPDM	1
L200D	2" FEMALE COUPLER X 2" FEMALE THREAD	200	EPDM	1
L200CAP	2" CAP X MALE ADAPTER	200	EPDM	1

## SPOOL ADAPTERS

PART NO	DESCRIPTION	MAX PSI	GASKET	LOT QTY
200FF	2" MALE ADAPTER X 2" MALE ADAPTER	150	N/A	10/BAG
300F200F	3" MALE ADAPTER X 2" MALE ADAPTER	75	N/A	10
300FF	3" MALE ADAPTER X 3" MALE ADAPTER	75	N/A	10

## REPLACEMENT PARTS

PART NO	DESCRIPTION	LOT QTY
100RING	RING FITS 3/4" & 1"	10
150RING	RING FITS 1 1/2", 2", 3", 4"	10
150(200)K	1 1/2", 2" SS CAM ARM W/RING	1
300K	3" SS CAM ARM WITH RING	1
V20207	11" LANYARD	25
75G	1/2" & 3/4" EPDM GASKET	25
75GV	3/4" FKM GASKET	10
100G	1" & 1 1/4" EPDM GASKET	25
100GV	1" & 1 1/4" FKM GASKET	10
150G	1 1/2" EPDM GASKET	25
150GV	1 1/2" FKM GASKET	10
200G	2" EPDM GASKET	25
200GV	2" FKM GASKET	10
300G	3" EPDM GASKET	25
300GV	3" FKM GASKET	10
400G	4" EPDM GASKET	1
200KL	2" LOCKING CAM ARM WITH RING FITS 1 1/2" & 2"	1
200PKL	2" COUPLING PIN FITS 1 1/2" & 2"	1
200P	2" COUPLING PIN	1
300P	3" COUPLING PIN	1

# CAM LEVER COUPLINGS



A



B



C



D

## 1 1/2" 90° POLY CAM LEVER COUPLINGS

PART NO	DESCRIPTION	MAX PSI	GASKET	LOT QTY
150A90	1 1/2" 90° MALE ADAPTER X 1 1/2" FEMALE THREAD	225	N/A	10/BAG
150C90	1 1/2" 90° FEMALE COUPLER X 1 1/2" HOSE BARB	225	EPDM	10
150D90	1 1/2" 90° FEMALE COUPLER X 1 1/2" FEMALE THREAD	300	EPDM	10
150F90	1 1/2" 90° MALE ADAPTER X 1 1/2" MALE THREAD	300	N/A	10/BAG

## 2" 90° SERIES POLY CAM LEVER COUPLINGS

PART NO	DESCRIPTION	MAX PSI	GASKET	LOT QTY
200A90	2" 90° MALE ADAPTER X 2" FEMALE THREAD	225	N/A	10/BAG
200B90	2" 90° FEMALE COUPLER X 2" MALE THREAD	225	EPDM	10
200C90	2" 90° FEMALE COUPLER X 2" HOSE BARB	225	EPDM	10
200D90	2" 90° FEMALE COUPLER X 2" FEMALE THREAD	200	EPDM	10
200F90	2" 90° MALE ADAPTER X 2" MALE THREAD	225	N/A	10/BAG

## 2" 45° POLY CAM LEVER COUPLINGS

PART NO	DESCRIPTION	MAX PSI	GASKET	LOT QTY
200F45	2" 45° MALE ADAPTER X 2" MALE THREAD	225	N/A	10/BAG



F90



F45

## GARDEN HOSE FITTINGS

PART NO	DESCRIPTION	MAX PSI	LOT QTY
GHFT075A	3/4" ADAPTER X 3/4" GARDEN HOSE FEMALE THREAD	225	10/BAG
GHMT075B	3/4" COUPLER X 3/4" GARDEN HOSE MALE THREAD	300	10/BAG
GHFT075D	3/4" COUPLER X 3/4" GARDEN HOSE FEMALE THREAD	300	10/BAG
GHMT075F	3/4" ADAPTER X 3/4" GARDEN HOSE MALE THREAD	300	10/BAG
GHFT075MPT	3/4" MALE NPT X 3/4" GARDEN HOSE FEMALE THREAD	300	10/BAG
GHMT075FPT	3/4" FEMALE NPT X 3/4" GARDEN HOSE MALE THREAD	300	10/BAG
GHMT075MPT	3/4" MALE NPT X 3/4" GARDEN HOSE MALE THREAD	300	10/BAG
GHFT075G	3/4" GARDEN HOSE FITTING GASKET	N/A	25

## GARDEN HOSE NOZZLE

PART NO	DESCRIPTION	MAX PSI	QTY
GHN075	3/4" GARDEN HOSE SPRAY NOZZLE	N/A	1



Spray nozzle patterns

## 1 1/2"-2" 90° & 45° POLYPROPYLENE

### FEATURES

- Precision molded in polypropylene, reinforced with fiberglass for strength
- Stainless steel rings, arms and pins resist corrosion
- 90° angle couplings and adapters will reduce the number of elbows and other pipe fittings used in plumbing applications



WARNING! Couplings should not be disconnected under pressure or with liquid in the line.

## GARDEN HOSE FITTINGS & NOZZLE

- Same construction and design that farmers use for their heavy spraying applications.
- Rugged, secure quick-connect cam arms
- Heavy-duty thick wall reinforced polypropylene
- Proven, leak-free construction
- Full flow design

### FEATURES

- Heavy duty machined aluminum construction stands up to hard use
- Comfort grip soft rubber
- Resists dents, mars and scratches; protects any surface that comes in contact with nozzle
- Aluminum hose connection provides a tight fit, will not rust
- Multiple spray pattern adjusts from a powerful jet stream to a gentle fan spray. Ideal for all your spraying needs.
- Stainless steel spray cap for precise spray patterns



A

B

C

D

E

F

G

H

I

J

K

L

M

# PIPE FITTINGS

## SUPER CLAMPS

### FEATURES

- Stainless steel construction
- 304 stainless steel bolt with 316 stainless steel nut to prevent seizing
- 360° sealing surface
- Ideal for high torque applications
- Strong, positive connections where ordinary hose clamps fail
- T-bolt design
- 3 spot welds for extra strength
- Sold in bags of 10 only
- Torque specifications: working torque 50-80 inch pounds, maximum torque 125 inch pounds
- Please note new Min-Max Diameter measurements.



### SUPER CLAMPS

PART NO	DESCRIPTION	MIN-MAX DIAMETER	MAX TORQUE	LOT QTY
TC120	1" T-BOLT HOSE CLAMP	1.18"-1.34"	75 IN-LBS	10/BAG
TC130	1¼" T-BOLT HOSE CLAMP	1.34"-1.50"	75 IN-LBS	10/BAG
TC150	1½" T-BOLT HOSE CLAMP	1.50"-1.62"	75 IN-LBS	10/BAG
TC162	1¾" T-BOLT HOSE CLAMP	1.59"-1.87"	75 IN-LBS	10/BAG
TC181	1½" T-BOLT HOSE CLAMP	1.84"-2.12"	75 IN-LBS	10/BAG
TC193	1½" T-BOLT HOSE CLAMP	1.90"-2.24"	75 IN-LBS	10/BAG
TC206	2" T-BOLT HOSE CLAMP	2.16"-2.40"	75 IN-LBS	10/BAG
TC218	2" T-BOLT HOSE CLAMP	2.18"-2.52"	75 IN-LBS	10/BAG
TC224	2" T-BOLT HOSE CLAMP	2.24"-2.58"	75 IN-LBS	10/BAG
TC231	2" T-BOLT HOSE CLAMP	2.31"-2.65"	75 IN-LBS	10/BAG
TC250	2" T-BOLT HOSE CLAMP	2.50"-2.84"	75 IN-LBS	10/BAG
TC287	2" T-BOLT HOSE CLAMP	2.87"-3.18"	75 IN-LBS	10/BAG
TC312	3" T-BOLT HOSE CLAMP	3.28"-3.50"	75 IN-LBS	10/BAG
TC331	3" T-BOLT HOSE CLAMP	3.31"-3.70"	75 IN-LBS	10/BAG
TC343	3" T-BOLT HOSE CLAMP	3.50"-3.89"	75 IN-LBS	10/BAG
TC425	4" T-BOLT HOSE CLAMP	4.25"-4.64"	75 IN-LBS	10/BAG
TC438	4" T-BOLT HOSE CLAMP	4.38"-4.69"	180 IN-LBS	10/BAG
TC456	4" T-BOLT HOSE CLAMP	4.56"-4.87"	180 IN-LBS	10/BAG



### 4" PLUMBING FITTINGS

PART NO	DESCRIPTION	LOT QTY
M300400A	3" Manifold x 4" Male Coupler	1
M300400BRB	3" Manifold x 4" Hose Barb	1



## NIPPLES

PART NO	DESCRIPTION	MAX PSI	LOT QTY
NIP025-SH	1/4" SHORT POLY NIPPLE	300	10/BAG
NIP038-SH	3/8" SHORT POLY NIPPLE	300	10/BAG
NIP050-SH	1/2" SHORT POLY NIPPLE	300	10/BAG
NIP050-3	1/2" X 3" POLY NIPPLE	300	10/BAG
NIP075-SH	3/4" SHORT POLY NIPPLE	300	10/BAG
NIP075-4	3/4" X 4" POLY NIPPLE	300	10/BAG
NIP075-6	3/4" X 6" POLY NIPPLE	300	10/BAG
NIP100-SH	1" SHORT POLY NIPPLE	300	10/BAG
NIP100-4	1" X 4" POLY NIPPLE	300	10/BAG
NIP100-6	1" X 6" POLY NIPPLE	300	10/BAG
NIP125-SH	1 1/4" SHORT POLY NIPPLE	300	10/BAG
NIP125-4	1 1/4" X 4" POLY NIPPLE	300	10/BAG
NIP125-6	1 1/4" X 6" POLY NIPPLE	300	10/BAG
NIP150-SH	1 1/2" SHORT POLY NIPPLE	300	10/BAG
NIP150-3	1 1/2" X 3" POLY NIPPLE	300	10/BAG
NIP150-4	1 1/2" X 4" POLY NIPPLE	300	10/BAG
NIP150-5	1 1/2" X 5" POLY NIPPLE	300	10/BAG
NIP150-6	1 1/2" X 6" POLY NIPPLE	300	10/BAG
NIP200-SH	2" SHORT POLY NIPPLE	300	10/BAG
NIP200-4	2" X 4" POLY NIPPLE	300	10/BAG
NIP200-6	2" X 6" POLY NIPPLE	300	10/BAG
NIP300-SH	3" SHORT POLY NIPPLE	300	10/BAG
NIP300-4	3" X 4" POLY NIPPLE	300	10/BAG
NIP300-6	3" X 6" POLY NIPPLE	300	10



## REDUCING NIPPLES

PART NO	DESCRIPTION	MAX PSI	LOT QTY
RN050-038	1/2" X 3/8" POLY REDUCING NIPPLE	300	10/BAG
RN075-050	3/4" X 1/2" POLY REDUCING NIPPLE	300	10/BAG
RN100-050	1" X 1/2" POLY REDUCING NIPPLE	300	10/BAG
RN100-075	1" X 3/4" POLY REDUCING NIPPLE	300	10/BAG
RN125-075	1 1/4" X 3/4" POLY REDUCING NIPPLE	300	10/BAG
RN125-100	1 1/4" X 1" POLY REDUCING NIPPLE	300	10/BAG
RN150-100	1 1/2" X 1" POLY REDUCING NIPPLE	300	10/BAG
RN150-125	1 1/2" X 1 1/4" POLY REDUCING NIPPLE	300	10/BAG
RN200-125	2" X 1 1/4" POLY REDUCING NIPPLE	300	10/BAG
RN200-150	2" X 1 1/2" POLY REDUCING NIPPLE	300	10/BAG
RN300-200	3" X 2" POLY REDUCING NIPPLE	300	10/BAG



## PIPE COUPLINGS

PART NO	DESCRIPTION	MAX PSI	LOT QTY
CPLG025	1/4" POLY PIPE COUPLING	300	10/BAG
CPLG038	3/8" POLY PIPE COUPLING	300	10/BAG
CPLG050	1/2" POLY PIPE COUPLING	300	10/BAG
CPLG075	3/4" POLY PIPE COUPLING	300	10/BAG
CPLG100	1" POLY PIPE COUPLING	300	10/BAG
CPLG125	1 1/4" POLY PIPE COUPLING	300	10/BAG
CPLG150	1 1/2" POLY PIPE COUPLING	300	10/BAG
CPLG200	2" POLY PIPE COUPLING	300	10/BAG
CPLG300	3" POLY PIPE COUPLING	225	5



## REDUCING COUPLINGS

PART NO	DESCRIPTION	MAX PSI	LOT QTY
RC100-075	1" X 3/4" POLY REDUCING COUPLING	300	10/BAG
RC150-100	1 1/2" X 1" POLY REDUCING COUPLING	300	10/BAG
RC150-125	1 1/2" X 1 1/4" POLY REDUCING COUPLING	300	10/BAG
RC200-050	2" X 1/2" POLY REDUCING COUPLING	300	10/BAG
RC200-100	2" X 1" POLY REDUCING COUPLING	300	10/BAG
RC200-125	2" X 1 1/4" POLY REDUCING COUPLING	300	10/BAG
RC200-150	2" X 1 1/2" POLY REDUCING COUPLING	300	10/BAG
RC300-200	3" X 2" POLY REDUCING COUPLING	300	5

## REDUCING BUSHINGS

PART NO	DESCRIPTION	MAX PSI	LOT QTY
RB038-025	3/8" MPT X 1/4" FPT REDUCING BUSHING	300	10/BAG
RB050-018	1/2" MPT X 1/8" FPT REDUCING BUSHING	300	10/BAG
RB050-025	1/2" MPT X 1/4" FPT REDUCING BUSHING	300	10/BAG
RB050-038	1/2" MPT X 3/8" FPT REDUCING BUSHING	300	10/BAG
RB075-025	3/4" MPT X 1/4" FPT REDUCING BUSHING	300	10/BAG
RB075-038	3/4" MPT X 3/8" FPT REDUCING BUSHING	300	10/BAG
RB075-050	3/4" MPT X 1/2" FPT REDUCING BUSHING	300	10/BAG
RB100-018	1" MPT X 1/8" FPT REDUCING BUSHING	300	10/BAG
RB100-025	1" MPT X 1/4" FPT REDUCING BUSHING	300	10/BAG
RB100-050	1" MPT X 1/2" FPT REDUCING BUSHING	300	10/BAG
RB100-075	1" MPT X 3/4" FPT REDUCING BUSHING	300	10/BAG
RB125-038	1" MPT X 3/8" FPT REDUCING BUSHING	300	10/BAG
RB125-075	1 1/4" MPT X 3/4" FPT REDUCING BUSHING	300	10/BAG
RB125-100	1 1/4" MPT X 1" FPT REDUCING BUSHING	300	10/BAG
RB150-075	1 1/2" MPT X 3/4" FPT REDUCING BUSHING	300	10/BAG
RB150-100	1 1/2" MPT X 1" FPT REDUCING BUSHING	300	10/BAG
RB150-125	1 1/2" MPT X 1 1/4" FPT REDUCING BUSHING	300	10/BAG
RB200-075	2" MPT X 3/4" FPT REDUCING BUSHING	300	10/BAG
RB200-100	2" MPT X 1" FPT REDUCING BUSHING	300	10/BAG
RB200-125	2" MPT X 1 1/4" FPT REDUCING BUSHING	300	10/BAG
RB200-150	2" MPT X 1 1/2" FPT REDUCING BUSHING	300	10/BAG
RB300-150	3" MPT X 1 1/2" FPT REDUCING BUSHING	300	10
RB300-200	3" MPT X 2" FPT REDUCING BUSHING	300	10/BAG
RB400-300	4" MPT X 3" FPT REDUCING BUSHING	300	5

## PIPE FITTINGS

### FEATURES

- Glass reinforced polypropylene
- Heavy duty (Schedule 80)
- Lightweight with excellent strength
- NPT threads
- Excellent chemical resistance
- Where noted, parts must be ordered in bag quantities



# PIPE FITTINGS

## PIPE FITTINGS

### FEATURES

- Glass reinforced polypropylene
- Heavy duty (Schedule 80)
- Lightweight with excellent strength
- NPT threads
- Excellent chemical resistance
- Where noted, parts must be ordered in bag quantities



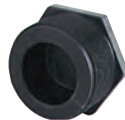
### PIPE CAPS

PART NO	DESCRIPTION	MAX PSI	LOT QTY
CAP038	3/8" POLY PIPE CAP	300	10/BAG
CAP050	1/2" POLY PIPE CAP	300	10/BAG
CAP075	3/4" POLY PIPE CAP	300	10/BAG
CAP100	1" POLY PIPE CAP	300	10/BAG
CAP125	1 1/4" POLY PIPE CAP	300	10/BAG
CAP150	1 1/2" POLY PIPE CAP	300	10/BAG
CAP200	2" POLY PIPE CAP	300	10/BAG
CAP300	3" POLY PIPE CAP	300	5



### CROSSES

PART NO	DESCRIPTION	MAX PSI	LOT QTY
CR025	1/4" POLY CROSS	300	10/BAG
CR038	3/8" POLY CROSS	300	10/BAG
CR050	1/2" POLY CROSS	300	10/BAG
CR075	3/4" POLY CROSS	300	10/BAG
CR100	1" POLY CROSS	300	10/BAG
CR125	1 1/4" POLY CROSS	300	10/BAG
CR150	1 1/2" POLY CROSS	300	10
CR200	2" POLY CROSS	300	10



### PIPE PLUGS

PART NO	DESCRIPTION	MAX PSI	LOT QTY
PLUG025	1/4" POLY PIPE PLUG	300	10/BAG
PLUG038	3/8" POLY PIPE PLUG	300	10/BAG
PLUG050	1/2" POLY PIPE PLUG	300	10/BAG
PLUG075	3/4" POLY PIPE PLUG	300	10/BAG
PLUG100	1" POLY PIPE PLUG	300	10/BAG
PLUG125	1 1/4" POLY PIPE PLUG	300	10/BAG
PLUG150	1 1/2" POLY PIPE PLUG	300	10/BAG
PLUG200	2" POLY PIPE PLUG	300	10/BAG
PLUG300	3" POLY PIPE PLUG	300	10



### TEES

PART NO	DESCRIPTION	MAX PSI	LOT QTY
TEE025	1/4" POLY TEE	300	10/BAG
TEE038	3/8" POLY TEE	300	10/BAG
TEE050	1/2" POLY TEE	300	10/BAG
TEE075	3/4" POLY TEE	300	10/BAG
TEE100	1" POLY TEE	300	10/BAG
TEE125	1 1/4" POLY TEE	300	10/BAG
TEE150	1 1/2" POLY TEE	300	10/BAG
TEE200	2" POLY TEE	300	10
TEE300	3" POLY TEE	225	10



### HOSE BARB CROSS

PART NO	DESCRIPTION	MAX PSI	LOT QTY
HBC050075	1/2" X 3/4" HOSE BARB CROSS	300	10/BAG



### GAUGE PORT TEE

PART NO	DESCRIPTION	MAX PSI	LOT QTY
TEG075	3/4" POLY TEE W/ 1/4" FEMALE THREAD	300	10/BAG
TEG100	1" POLY TEE W/ 1/4" FEMALE THREAD	300	10/BAG



## PIPE FITTINGS



### 90° ELBOWS

PART NO	DESCRIPTION	MAX PSI	LOT QTY
EL025-90	1/4" 90° POLY ELBOW	300	10/BAG
EL038-90	3/8" 90° POLY ELBOW	300	10/BAG
EL050-90	1/2" 90° POLY ELBOW	300	10/BAG
EL075-90	3/4" 90° POLY ELBOW	300	10/BAG
EL100-90	1" 90° POLY ELBOW	300	10/BAG
EL125-90	1 1/4" 90° POLY ELBOW	300	10/BAG
EL150-90	1 1/2" 90° POLY ELBOW	300	10/BAG
EL200-90	2" 90° POLY ELBOW	300	10/BAG
EL300-90	3" 90° POLY ELBOW	300	10



### 45° STREET ELBOWS

PART NO	DESCRIPTION	MAX PSI	LOT QTY
SL075-45	3/4" 45° POLY STREET ELBOW	300	10/BAG
SL100-45	1" 45° POLY STREET ELBOW	300	10/BAG
SL125-45	1 1/4" 45° POLY STREET ELBOW	300	10/BAG
SL150-45	1 1/2" 45° POLY STREET ELBOW	300	10/BAG
SL200-45	2" 45° POLY STREET ELBOW	225	10/BAG
SL300-45	3" 45° POLY STREET ELBOW	300	5

## FEATURES

- Glass reinforced polypropylene
- Heavy duty (Schedule 80)
- Lightweight with excellent strength
- NPT threads
- Excellent chemical resistance
- Where noted, parts must be ordered in bag quantities



### 45° ELBOW

PART NO	DESCRIPTION	MAX PSI	LOT QTY
EL100-45	1" 45° POLY ELBOW	300	10/BAG



### 90° HOSE BARB ELBOW

PART NO	DESCRIPTION	MAX PSI	LOT QTY
HBB20012590	2" X 1 1/4" 90° POLY HOSE BARB ELBOW	300	10/BAG



### 90° STREET ELBOWS

PART NO	DESCRIPTION	MAX PSI	LOT QTY
SL025-90	1/4" 90° POLY STREET ELBOW	300	10/BAG
SL038-90	3/8" 90° POLY STREET ELBOW	300	10/BAG
SL050-90	1/2" 90° POLY STREET ELBOW	300	10/BAG
SL075-90	3/4" 90° POLY STREET ELBOW	300	10/BAG
SL100-90	1" 90° POLY STREET ELBOW	300	10/BAG
SL125-90	1 1/4" 90° POLY STREET ELBOW	300	10/BAG
SL150-90	1 1/2" 90° POLY STREET ELBOW	300	10/BAG
SL200-90	2" 90° POLY STREET ELBOW	300	10/BAG
SL300-90	3" 90° POLY STREET ELBOW	300	10



### 90° HOSE BARB ELBOW

PART NO	DESCRIPTION	MAX PSI	LOT QTY
HBEL100-90	1" 90° POLY HOSE BARB ELBOW	300	10/BAG
HBEL150/100-90	1 1/2" X 1" 90° POLY HOSE BARB ELBOW	300	10/BAG

# PIPE FITTINGS

## HOSE BARBS



### FEATURES

- Glass reinforced polypropylene
- Heavy duty (Schedule 80)
- Lightweight with excellent strength
- NPT threads
- Excellent chemical resistance
- Where noted, parts must be ordered in bag quantities

### STRAIGHT HOSE BARBS

PART NO	DESCRIPTION	MAX PSI	LOT QTY
HB025	1/4" MALE THREAD X 1/4" HOSE BARB	300	10/BAG
HB025-038	1/4" MALE THREAD X 3/8" HOSE BARB	300	10/BAG
HB025-050	1/4" MALE THREAD X 1/2" HOSE BARB	300	10/BAG
HB038	3/8" MALE THREAD X 3/8" HOSE BARB	300	10/BAG
HB038-025	3/8" MALE THREAD X 1/4" HOSE BARB	300	10/BAG
HB038-050	3/8" MALE THREAD X 1/2" HOSE BARB	300	10/BAG
HB050-025	1/2" MALE THREAD X 1/4" HOSE BARB	300	10/BAG
HB050-038	1/2" MALE THREAD X 3/8" HOSE BARB	300	10/BAG
HB050	1/2" MALE THREAD X 1/2" HOSE BARB	300	10/BAG
HB050-075	1/2" MALE THREAD X 3/4" HOSE BARB	300	10/BAG
HB075-038	3/4" MALE THREAD X 3/8" HOSE BARB	300	10/BAG
HB075-050	3/4" MALE THREAD X 1/2" HOSE BARB	300	10/BAG
HB075-058	3/4" MALE THREAD X 5/8" HOSE BARB	300	10/BAG
HB075	3/4" MALE THREAD X 3/4" HOSE BARB	300	10/BAG
HB075-100	3/4" MALE THREAD X 1" HOSE BARB	300	10/BAG
HB100-075	1" MALE THREAD X 3/4" HOSE BARB	300	10/BAG
HB100	1" MALE THREAD X 1" HOSE BARB	300	10/BAG
HB100-125	1" MALE THREAD X 1 1/4" HOSE BARB	300	10/BAG
HB125-075	1 1/4" MALE THREAD X 3/4" HOSE BARB	300	10/BAG
HB125-100	1 1/4" MALE THREAD X 1" HOSE BARB	300	10/BAG
HB125	1 1/4" MALE THREAD X 1 1/4" HOSE BARB	300	10/BAG
HB125-150	1 1/4" MALE THREAD X 1 1/2" HOSE BARB	300	10/BAG
HB150-100	1 1/2" MALE THREAD X 1" HOSE BARB	300	10/BAG
HB150-125	1 1/2" MALE THREAD X 1 1/4" HOSE BARB	300	10/BAG
HB150	1 1/2" MALE THREAD X 1 1/2" HOSE BARB	300	10/BAG
HB150-200	1 1/2" MALE THREAD X 2" HOSE BARB	300	10/BAG
HB200-150	2" MALE THREAD X 1 1/2" HOSE BARB	300	10/BAG
HB200	2" MALE THREAD X 2" HOSE BARB	300	10/BAG
HB300	3" MALE THREAD X 3" HOSE BARB	225	10
HB400	4" MALE THREAD X 4" HOSE BARB	150	1

### 90° HOSE BARBS

PART NO	DESCRIPTION	MAX PSI	LOT QTY
HB025-90	1/4" MALE THREAD X 1/4" 90° HOSE BARB	300	10/BAG
HB025/038-90	1/4" MALE THREAD X 3/8" 90° HOSE BARB	300	10/BAG
HB025/050-90	1/4" MALE THREAD X 1/2" 90° HOSE BARB	300	10/BAG
HB038-90	3/8" MALE THREAD X 3/8" 90° HOSE BARB	300	10/BAG
HB050/038-90	1/2" MALE THREAD X 3/8" 90° HOSE BARB	300	10/BAG
HB050-90	1/2" MALE THREAD X 1/2" 90° HOSE BARB	300	10/BAG
HB050/075-90	1/2" MALE THREAD X 3/4" 90° HOSE BARB	300	10/BAG
HB075/050-90	3/4" MALE THREAD X 1/2" 90° HOSE BARB	300	10/BAG
HB075-90	3/4" MALE THREAD X 3/4" 90° HOSE BARB	300	10/BAG
HB075/100-90	3/4" MALE THREAD X 1" 90° HOSE BARB	300	10/BAG
HB100/075-90	1" MALE THREAD X 3/4" 90° HOSE BARB	300	10/BAG
HB100-90	1" MALE THREAD X 1" 90° HOSE BARB	300	10/BAG
HB100/125-90	1" MALE THREAD X 1 1/4" 90° HOSE BARB	300	10/BAG
HB125/100-90	1 1/4" MALE THREAD X 1" 90° HOSE BARB	300	10/BAG
HB125-90	1 1/4" MALE THREAD X 1 1/4" 90° HOSE BARB	300	10/BAG
HB125/150-90	1 1/4" MALE THREAD X 1 1/2" 90° HOSE BARB	300	10/BAG
HB150/125-90	1 1/2" MALE THREAD X 1 1/4" 90° HOSE BARB	300	10/BAG
HB150-90	1 1/2" MALE THREAD X 1 1/2" 90° HOSE BARB	300	10/BAG
HB200/150-90	2" MALE THREAD X 1 1/2" 90° HOSE BARB	300	10/BAG
HB200-90	2" MALE THREAD X 2" 90° HOSE BARB	300	10/BAG
HB300-90	3" MALE THREAD X 3" 90° HOSE BARB	225	10



### 316 STAINLESS STEEL HOSE BARBS

PART NO	DESCRIPTION	MAX PSI	LOT QTY
HB025SS	1/4" MALE THREAD X 1/4" HOSE BARB	300	10
HB025-038SS	1/4" MALE THREAD X 3/8" HOSE BARB	300	10
HB025-050SS	1/4" MALE THREAD X 1/2" HOSE BARB	300	10
HB038SS	3/8" MALE THREAD X 3/8" HOSE BARB	300	10
HB038-050SS	3/8" MALE THREAD X 1/2" HOSE BARB	300	10
HB050SS	1/2" MALE THREAD X 1/2" HOSE BARB	300	10
HB050-058SS	1/2" MALE THREAD X 5/8" HOSE BARB	300	1
HB050-075SS	1/2" MALE THREAD X 3/4" HOSE BARB	300	10
HB075-050SS	3/4" MALE THREAD X 1/2" HOSE BARB	300	10
HB075SS	3/4" MALE THREAD X 3/4" HOSE BARB	300	10
HB075-100SS	3/4" MALE THREAD X 1" HOSE BARB	300	1
HB100-075SS	1" MALE THREAD X 3/4" HOSE BARB	300	1
HB100SS	1" MALE THREAD X 1" HOSE BARB	300	10
HB125SS	1 1/4" MALE THREAD X 1 1/4" HOSE BARB	300	1
HB150SS	1 1/2" MALE THREAD X 1 1/2" HOSE BARB	300	10
HB200SS	2" MALE THREAD X 2" HOSE BARB	300	1
HB300SS	3" MALE THREAD X 3" HOSE BARB	300	1



### FEMALE HOSE BARBS

PART NO	DESCRIPTION	MAX PSI	LOT QTY
HBF075	3/4" FEMALE THREAD X 3/4" HOSE BARB	300	10/BAG
HBF075-90	3/4" FEMALE THREAD X 3/4" 90° HOSE BARB	300	10/BAG
HBF075-100	3/4" FEMALE THREAD X 1" HOSE BARB	300	10/BAG
HBF100	1" FEMALE THREAD X 1" HOSE BARB	300	10/BAG
HBF100-90	1" FEMALE THREAD X 1" 90° HOSE BARB	300	10/BAG

# PIPE FITTINGS



## HOSE BARB TEES

PART NO	DESCRIPTION	MAX PSI	LOT QTY
HBT025	1/4" HOSE BARB TEE	300	10/BAG
HBT038	3/8" HOSE BARB TEE	300	10/BAG
HBT050	1/2" HOSE BARB TEE	300	10/BAG
HBT050-038	1/2" X 3/8" HOSE BARB TEE	300	10/BAG
HBT050-075	1/2" X 1/2" X 3/4" HOSE BARB TEE	300	10/BAG
HBT075-050	3/4" X 3/4" X 1/2" HOSE BARB TEE	300	10/BAG
HBT075	3/4" HOSE BARB TEE	300	10/BAG
HBT075-100	3/4" X 3/4" X 1" HOSE BARB TEE	300	10/BAG
HBT100-075	1" X 1" X 3/4" HOSE BARB TEE	300	10/BAG
HBT100	1" HOSE BARB TEE	300	10/BAG
HBT200	2" HOSE BARB TEE	300	10
HBT300	3" HOSE BARB TEE	300	1



## HOSE BARB THREADED TEES

PART NO	DESCRIPTION	MAX PSI	LOT QTY
HBT100-100	1" HOSE BARB X 1" HOSE BARB X 1" MALE THREAD HOSE BARB TEE	300	10/BAG
HBT150-100	1 1/2" HOSE BARB X 1 1/2" HOSE BARB X 1" MALE THREAD HOSE BARB TEE	300	10/BAG
HBT150-150	1 1/2" HOSE BARB X 1 1/2" HOSE BARB X 1 1/2" MALE THREAD HOSE BARB TEE	300	10/BAG



## SS HOSE BARB THREADED TEES

PART NO	DESCRIPTION	MAX PSI	QTY
HBT075-050SS	3/4" HOSE BARB X 3/4" HOSE BARB X 1/2" HOSE BARB TEE	N/A	1



## HOSE MENDERS

PART NO	DESCRIPTION	MAX PSI	LOT QTY
HM038	3/8" X 3/8" HOSE BARB	300	10/BAG
HM050	1/2" X 1/2" HOSE BARB	300	10/BAG
HM075	3/4" X 3/4" HOSE BARB	300	10/BAG
HM100	1" X 1" HOSE BARB	300	10/BAG
HM125	1 1/4" X 1 1/4" HOSE BARB	300	10/BAG
HM150	1 1/2" X 1 1/2" HOSE BARB	300	10/BAG
HM200	2" X 2" HOSE BARB	300	10/BAG
HM300	3" X 3" HOSE BARB	300	10



## SWIVELS

PART NO	DESCRIPTION	MAX PSI	LOT QTY
SW100	1" MALE X 1" FEMALE SWIVEL	300	10
SW150	1 1/2" MALE X 1 1/2" FEMALE SWIVEL	300	1
SW220	2" FULL PORT MALE X 2" FULL PORT FEMALE SWIVEL	150	1



## 8 STATION MANIFOLD

PART NO	DESCRIPTION	MAX PSI	QTY
TM075/050	8 STATION MANIFOLD 3/4" INLET X 1/2" OUTLET. 1/4" GAUGE PORT	225	1

## PIPE FITTINGS

### FEATURES

- Glass reinforced polypropylene
- Heavy duty (Schedule 80)
- Lightweight with excellent strength
- NPT threads
- Excellent chemical resistance
- Where noted, parts must be ordered in bag quantities

Recommended procedure for sealing pipe threads:

We DO NOT recommend using pipe tape. Pipe tape enlarges the outside diameter of the male thread and may cause the female thread to split. We recommend using a pipe thread sealant. Use on clean tapered threads. Apply a thick even coat on male threads using brush applicator. For pipe diameters smaller than 1 1/4" apply to male threads only. For 1 1/4" and larger sizes apply to both male and female threads. Avoid applying excessive amounts. Hand tighten joints and then torque another 1/2 to 3/4 turn until threads seal.



## PIPE SEALANT

PART NO	DESCRIPTION	LOT QTY
RS21	RECTORSEAL® NO. 21™ (8 OZ W/ BRUSH IN CAP-24/CASE)	1
RSTB	RECTORSEAL® TRU-BLU™ (8 OZ W/ BRUSH IN CAP-24/CASE)	24

## PIPE SEALANT

### FEATURES

- RectorSeal® No. 21™ is slow drying, soft set multi-purpose sealant designed for use where black is preferred. 8 oz can with brush in the cap. Conforms to TT-S-1732.
- RectorSeal® Tru-Blu™ is fast drying, flexible set designed for high vibration environments. Teflon™ has been added to enhance thread lubrication during assembly and break out. Conforms to TT-S-1732.

\*DuPont Registered Trademark



# LINE STRAINERS

## MINI T STRAINERS

### FEATURES

- Heavy duty glass reinforced polypropylene
- Clear bowl made of polycarbonate
- Black bowl made of polypropylene
- Polypropylene ribbed 316 stainless steel screens
- EPDM gaskets
- Convenient color coded screens for easy mesh size identification (Refer to chart on next page)



### MINI T STRAINERS W/CLEAR BOWLS

PART NO	DESCRIPTION	MAX PSI	QTY
LSTM050-30C	1/2" X 1/2" CLEAR BOWL STRAINER W/30 MESH SCREEN	100	1
LSTM050-50C	1/2" X 1/2" CLEAR BOWL STRAINER W/50 MESH SCREEN	100	1
LSTM050-80C	1/2" X 1/2" CLEAR BOWL STRAINER W/80 MESH SCREEN	100	1
LSTM075-30C	3/4" X 3/4" CLEAR BOWL STRAINER W/30 MESH SCREEN	100	1
LSTM075-50C	3/4" X 3/4" CLEAR BOWL STRAINER W/50 MESH SCREEN	100	1
LSTM075-80C	3/4" X 3/4" CLEAR BOWL STRAINER W/80 MESH SCREEN	100	1

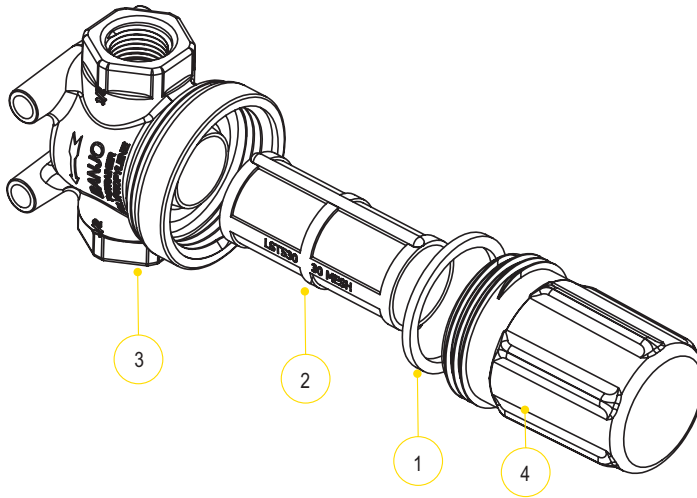


### MINI T STRAINERS W/BLACK BOWLS

PART NO	DESCRIPTION	MAX PSI	QTY
LSTM050-30	1/2" X 1/2" BLACK BOWL STRAINER W/30 MESH SCREEN	200	1
LSTM050-50	1/2" X 1/2" BLACK BOWL STRAINER W/50 MESH SCREEN	200	1
LSTM050-80	1/2" X 1/2" BLACK BOWL STRAINER W/80 MESH SCREEN	200	1
LSTM075-30	3/4" X 3/4" BLACK BOWL STRAINER W/30 MESH SCREEN	200	1
LSTM075-50	3/4" X 3/4" BLACK BOWL STRAINER W/50 MESH SCREEN	200	1
LSTM075-80	3/4" X 3/4" BLACK BOWL STRAINER W/80 MESH SCREEN	200	1

# LINE STRAINERS

## MINI T STRAINERS



### SCREENS

MESH SIZE	RIB COLOR
30 MESH	FLAME RED
50 MESH	GENTIAN BLUE
80 MESH	ZINC YELLOW
100 MESH	TRAFFIC GREEN

### REPLACEMENT PARTS

ITEM	PART NO	DESCRIPTION	QTY
1	LSTM050G	EPDM GASKET	1
2	LST530	30 MESH SCREEN	1
2	LST550	50 MESH SCREEN	1
2	LST580	80 MESH SCREEN	1
2	LST5100	100 MESH SCREEN	1
3	LSTM050H	1/2" STRAINER HEAD	1
3	LSTM075H	3/4" STRAINER HEAD	1
4	LSTM050BC	CLEAR BOWL	1
4	LSTM050B	BLACK BOWL	1

### STANDARD MESHERS & DATA

	30 MESH	50 MESH	80 MESH	100 MESH
MICRONS	595	297	177	149
WIRE DIAMETER	.012	.009	.0055	.0045
OPENING	.021	.011	.007	.005
% OPEN AREA	40.8	30.3	31.4	30.3

# LINE STRAINERS

## 3/4"-1 1/2" T STRAINERS

### FEATURES

- Heavy duty glass reinforced polypropylene
- Clean out plug
- Polypropylene ribbed 316 stainless steel screens
- EPDM gaskets standard, FKM available
- Convenient color coded screens for easy mesh size identification (Refer to chart on next page)



## 3/4"-1" T STRAINERS

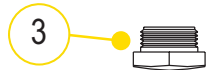
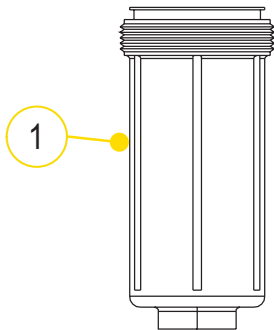
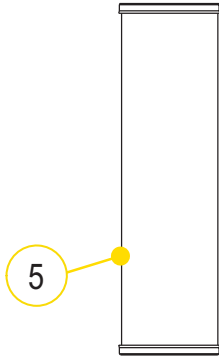
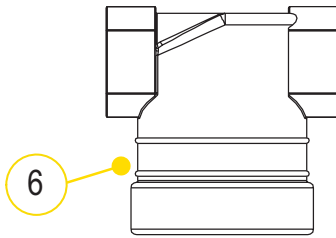
PART NO	DESCRIPTION	MAX PSI	QTY
LST075-16	3/4" X 3/4" FP T STRAINER W/16 MESH SS SCREEN	300	1
LST075-30	3/4" X 3/4" FP T STRAINER W/30 MESH SS SCREEN	300	1
LST075-50	3/4" X 3/4" FP T STRAINER W/50 MESH SS SCREEN	300	1
LST075-80	3/4" X 3/4" FP T STRAINER W/80 MESH SS SCREEN	300	1
LST075-100	3/4" X 3/4" FP T STRAINER W/100 MESH SS SCREEN	300	1
LST100-16	1" X 1" T STRAINER W/16 MESH SS SCREEN	300	1
LST100-30	1" X 1" T STRAINER W/30 MESH SS SCREEN	300	1
LST100-50	1" X 1" T STRAINER W/50 MESH SS SCREEN	300	1
LST100-80	1" X 1" T STRAINER W/80 MESH SS SCREEN	300	1
LST100-100	1" X 1" T STRAINER W/100 MESH SS SCREEN	300	1

## 1 1/4"-1 1/2" T STRAINERS

PART NO	DESCRIPTION	MAX PSI	QTY
LST125-16	1 1/4" X 1 1/4" FP T STRAINER W/16 MESH SS SCREEN	300	1
LST125-30	1 1/4" X 1 1/4" FP T STRAINER W/30 MESH SS SCREEN	300	1
LST125-50	1 1/4" X 1 1/4" FP T STRAINER W/50 MESH SS SCREEN	300	1
LST125-80	1 1/4" X 1 1/4" FP T STRAINER W/80 MESH SS SCREEN	300	1
LST150-30	1 1/2" X 1 1/2" T STRAINER W/30 MESH SS SCREEN	300	1
LST150-50	1 1/2" X 1 1/2" T STRAINER W/50 MESH SS SCREEN	300	1
LST150-80	1 1/2" X 1 1/2" T STRAINER W/80 MESH SS SCREEN	300	1
LST150-100	1 1/2" X 1 1/2" T STRAINER W/100 MESH SS SCREEN	300	1

# LINE STRAINERS

## 3/4"-1 1/2" T STRAINERS



### REPLACEMENT PARTS

ITEM	PART NO	DESCRIPTION	QTY
1	LST100-B	3/4" & 1" BOWL (CONTAINS #1, #3, #4)	1
2	LST100-G	3/4" & 1" EPDM GASKET	1
2	LST100-GV	3/4" & 1" FKM GASKET	1
3	12777	1/2" PLUG	1
4	UV15163	EPDM O-RING FOR CLEAN OUT PLUG	1
5	LST116	16 MESH SCREEN	1
5	LST130	30 MESH SCREEN	1
5	LST150	50 MESH SCREEN	1
5	LST180	80 MESH SCREEN	1
5	LST1100	100 MESH SCREEN	1
6	LST075-H	3/4" STRAINER HEAD	1
6	LST100-H	1" STRAINER HEAD	1
N/S	LST075-HB	3/4" STRAINER HEAD, BOWL & GASKET	1
N/S	LST100-HB	1" STRAINER HEAD, BOWL & GASKET	1

### REPLACEMENT PARTS

ITEM	PART NO	DESCRIPTION	QTY
1	LST150-B	1 1/4" & 1 1/2" BOWL (CONTAINS #1, #3, #4)	1
2	LST150-G	1 1/4" & 1 1/2" EPDM GASKET	1
2	LST150-GV	1 1/4" & 1 1/2" FKM GASKET	1
3	LSQ200-PL	1" CLEAN OUT PLUG	1
4	LSQ200-R	EPDM O-RING FOR CLEAN OUT PLUG	1
5	LST1516	16 MESH SCREEN	1
5	LST1530	30 MESH SCREEN	1
5	LST1550	50 MESH SCREEN	1
5	LST1580	80 MESH SCREEN	1
5	LST15100	100 MESH SCREEN	1
6	N/A	1 1/4" STRAINER HEAD	1
N/S	LST125-HB	1 1/4" STRAINER HEAD, BOWL & GASKET	1
N/S	LST150-HB	1 1/2" STRAINER HEAD, BOWL & GASKET	1

### SCREENS

MESH SIZE	RIB COLOR
16 MESH	BROWN RED
30 MESH	FLAME RED
50 MESH	GENTIAN BLUE
80 MESH	ZINC YELLOW
100 MESH	TRAFFIC GREEN

### STANDARD MESHERS & DATA

	16 MESH	30 MESH	50 MESH	80 MESH	100 MESH
MICRONS	1190	595	297	177	149
WIRE DIAMETER	.018	.012	.009	.0055	.0045
OPENING	.044	.021	.011	.007	.005
% OPEN AREA	50.7	40.8	30.3	31.4	30.3

# LINE STRAINERS

## 2" T STRAINERS POLY/STAINLESS COMBO

### FEATURES

- Heavy duty glass reinforced polypropylene bowl
- 316 stainless steel head
- Clean out plug
- 316 stainless steel screens
- FKM gaskets



### 2" T STRAINERS POLY/SS COMBO

PART NO	DESCRIPTION	MAX PSI	QTY
LST200-10SS	2" X 2" T STRAINER (SS HEAD & POLY BODY) W/10 MESH SCREEN	300	1
LST200-50SS	2" X 2" T STRAINER (SS HEAD & POLY BODY) W/50 MESH SCREEN	300	1

## LSQ STRAINERS

### FEATURES

- Precision molded in glass reinforced polypropylene
- Cam lever configuration for easy access for cleaning and servicing
- 3/4" plug in cam lever cap for attaching ball valve for draining or back flushing
- Poly ribbed 316 stainless steel screen
- EPDM lathe cut gasket
- For faster shipping, order in box quantities
- Convenient color coded screens for easy mesh size identification (Refer to chart on next page)



### 1 1/2" LSQ STRAINERS

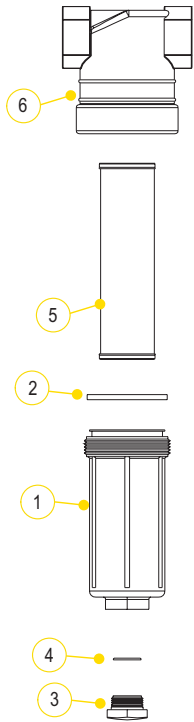
PART NO	DESCRIPTION	MAX PSI	LOT QTY
LSQ150-B/C	1 1/2" X 1 1/2" LSQ STRAINER BODY/CAP	N/A	1

### 2" LSQ STRAINERS

PART NO	DESCRIPTION	MAX PSI	LOT QTY
LSQ200-06	2" X 2" LSQ STRAINER W/6 MESH SCREEN	100	6/BOX
LSQ200-20	2" X 2" LSQ STRAINER W/20 MESH SCREEN	100	6/BOX
LSQ200-30	2" X 2" LSQ STRAINER W/30 MESH SCREEN	100	6/BOX
LSQ200-50	2" X 2" LSQ STRAINER W/50 MESH SCREEN	100	6/BOX
LSQ200-80	2" X 2" LSQ STRAINER W/80 MESH SCREEN	100	6/BOX

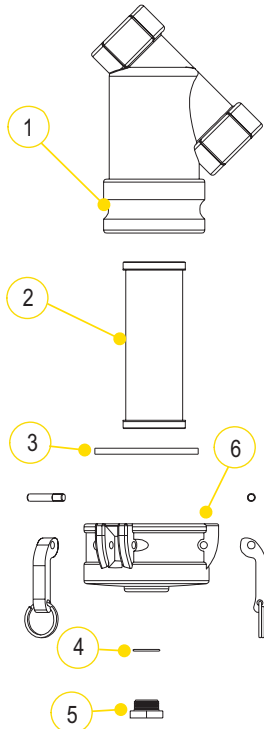


# LINE STRAINERS



REPLACEMENT PARTS			
ITEM	PART NO	DESCRIPTION	QTY
1	LST200-B	2" POLY BOWL (CONTAINS #1, #3, #4)	1
2	LST200-GV	2" FKM GASKET	1
3	LSQ200-PL	1" CLEAN OUT PLUG	1
4	LSQ200-RV	FKM O-RING FOR CLEAN OUT PLUG	1
5	LST204SS	4 MESH SS SCREEN	1
5	LST206SS	6 MESH SS SCREEN	1
5	LST208SS	8 MESH SS SCREEN	1
5	LST210SS	10 MESH SS SCREEN	1
5	LST216SS	16 MESH SS SCREEN	1
5	LST220SS	20 MESH SS SCREEN	1
5	LST230SS	30 MESH SS SCREEN	1
5	LST250SS	50 MESH SS SCREEN	1
5	LST280SS	80 MESH SS SCREEN	1
6	LST200-HSS	2" SS HEAD	1

## 2" T STRAINERS POLY/STAINLESS COMBO



REPLACEMENT PARTS			
ITEM	PART NO	DESCRIPTION	QTY
1	N/A	2" LSQ BODY	1
2	LS206	6 MESH SCREEN	1
2	LS212	12 MESH SCREEN	1
2	LS220	20 MESH SCREEN	1
2	LS230	30 MESH SCREEN	1
2	LS250	50 MESH SCREEN	1
2	LS280	80 MESH SCREEN	1
2	LS2120	120 MESH SCREEN	1
3	LSQ150-B/C	1 1/2" X 1 1/2" LSQ STRAINER BODY/CAP	1
3	LSQ200-G	2" EPDM GASKET	1
3	LSQ200-GV	2" FKM GASKET	1
4	LSQ200R1	O-RING	1
5	N/A	3/4" CLEAN OUT PLUG	1
6	LSQ200-C	2" CAP (CONTAINS #3-6)	1
N/S	LSQ200-B/C	2" BODY/CAP (CONTAINS #1, 3-6)	1

## LSQ STRAINERS

### SCREENS

MESH SIZE	RIB COLOR
6 MESH	WHITE
12 MESH	BLACK
20 MESH	BEIGE
30 MESH	FLAME RED
50 MESH	GENTIAN BLUE
80 MESH	ZINC YELLOW
120 MESH	BLACK

### STANDARD MESHERS & DATA

	6 MESH	8 MESH	10 MESH	12 MESH	16 MESH	20 MESH	30 MESH	50 MESH	80 MESH	100 MESH	120 MESH
MICRONS	3360	2380	2000	1680	1190	841	595	297	177	149	116
WIRE DIAMETER	.035	.028	.025	.023	.018	.016	.012	.009	.0055	.0045	.0037
OPENING	.132	.097	.075	.060	.044	.034	.021	.011	.007	.005	.0046
% OPEN AREA	62.7	60.2	56.3	51.8	50.7	46.2	40.8	30.3	31.4	30.3	30.5

# LINE STRAINERS

## 1/2"-1 1/4" Y STRAINERS

### FEATURES

- Heavy duty glass reinforced polypropylene
- Corrosion resistant
- Easy grip end cap
- Heavy duty end cap threads
- Clean out plug
- Polypropylene ribbed 316 stainless steel screens
- EPDM gaskets
- Convenient color coded screens for easy mesh size identification (Refer to chart on next page)



### 1/2" - 3/4" Y STRAINERS

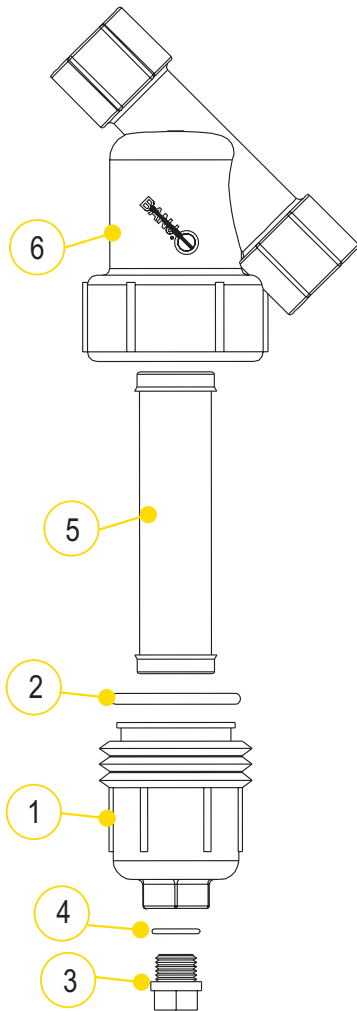
PART NO	DESCRIPTION	MAX PSI	QTY
LS050-20	1/2" X 1/2" FP Y STRAINER W/20 MESH SS SCREEN	225	1
LS050-40	1/2" X 1/2" FP Y STRAINER W/40 MESH SS SCREEN	225	1
LS050-80	1/2" X 1/2" FP Y STRAINER W/80 MESH SS SCREEN	225	1
LS075-20	3/4" X 3/4" Y STRAINER W/20 MESH SS SCREEN	225	1
LS075-40	3/4" X 3/4" Y STRAINER W/40 MESH SS SCREEN	225	1
LS075-80	3/4" X 3/4" Y STRAINER W/80 MESH SS SCREEN	225	1



### 1" - 1 1/4" Y STRAINERS

PART NO	DESCRIPTION	MAX PSI	QTY
LS100-20	1" X 1" Y STRAINER W/20 MESH SS SCREEN	200	1
LS100-40	1" X 1" Y STRAINER W/40 MESH SS SCREEN	200	1
LS100-80	1" X 1" Y STRAINER W/80 MESH SS SCREEN	200	1
LS125-20	1 1/4" X 1 1/4" Y STRAINER W/20 MESH SS SCREEN	200	1
LS125-40	1 1/4" X 1 1/4" Y STRAINER W/40 MESH SS SCREEN	200	1
LS125-80	1 1/4" X 1 1/4" Y STRAINER W/80 MESH SS SCREEN	200	1

# LINE STRAINERS



REPLACEMENT PARTS			
ITEM	PART NO	DESCRIPTION	QTY
1	N/A	1/2"-3/4" END CAP (CONTAINS #1, #3, #4)	1
2	LS075-G	1/2"-3/4" O-RING	1
3	12723	1/4" DRAIN PLUG (FITS 1/2"-3/4")	1
4	12724	1/2"-3/4" EPDM O-RING FOR DRAIN PLUG	1
5	LS720	1/2"-3/4" 20 MESH SCREEN	1
5	LS740	1/2"-3/4" 40 MESH SCREEN	1
5	LS780	1/2"-3/4" 80 MESH SCREEN	1
6	N/A	3/4" Y BODY	1
N/S	LS050B/C1	1/2" Y BODY, CAP & GASKET	1
N/S	LS075B/C1	3/4" Y BODY, CAP & GASKET	1

REPLACEMENT PARTS			
ITEM	PART NO	DESCRIPTION	QTY
1	LS100-C1	1"-1 1/4" END CAP (CONTAINS #1, #3, #4)	1
2	LS100-G	1"-1 1/4" O-RING	1
2	LS100-GV	1"-1 1/4" FKM GASKET	1
3	12777	1/2" PLUG (FITS 1"-1 1/4")	1
4	UV15163	EPDM O-RING FOR DRAIN PLUG	1
4	UV15163V	FKM O-RING FOR DRAIN PLUG	1
5	LS120	1"-1 1/4" 20 MESH SCREEN	1
5	LS140	1"-1 1/4" 40 MESH SCREEN	1
5	LS180	1"-1 1/4" 80 MESH SCREEN	1
6	N/A	1" Y BODY	1
6	N/A	1 1/4" Y BODY	1
N/S	LS100B/C1	1" Y BODY, CAP & GASKET	1
N/S	LS125B/C1	1 1/4" Y BODY, CAP & GASKET	1

STANDARD MESHES & DATA											
	6 MESH	8 MESH	10 MESH	12 MESH	16 MESH	20 MESH	30 MESH	50 MESH	80 MESH	100 MESH	120 MESH
MICRONS	3360	2380	2000	1680	1190	841	595	297	177	149	116
WIRE DIAMETER	.035	.028	.025	.023	.018	.016	.012	.009	.0055	.0045	.0037
OPENING	.132	.097	.075	.060	.044	.034	.021	.011	.007	.005	.0046
% OPEN AREA	62.7	60.2	56.3	51.8	50.7	46.2	40.8	30.3	31.4	30.3	30.5

## 1/2"-1 1/4" Y STRAINERS

SCREENS	
MESH SIZE	RIB COLOR
6 MESH	WHITE
12 MESH	BLACK
20 MESH	BEIGE
30 MESH	FLAME RED
40 MESH	BROWN
50 MESH	GENTIAN BLUE
60 MESH	GENTIAN BLUE
80 MESH	ZINC YELLOW
100 MESH	TRAFFIC GREEN
120 MESH	BLACK

# LINE STRAINERS

## 1½"-2" Y STRAINERS

### FEATURES

- Heavy duty glass reinforced polypropylene
- Corrosion resistant
- Easy grip end cap
- Heavy duty end cap threads
- Clean out plug
- Polypropylene ribbed 316 stainless steel screens
- EPDM gaskets
- Convenient color coded screens for easy mesh size identification (Refer to chart on next page)



### 1½" Y STRAINERS

PART NO	DESCRIPTION	MAX PSI	QTY
LS150-06	1½" X 1½" Y STRAINER W/6 MESH SS SCREEN	150	1
LS150-12	1½" X 1½" Y STRAINER W/12 MESH SS SCREEN	150	1
LS150-20	1½" X 1½" Y STRAINER W/20 MESH SS SCREEN	150	1
LS150-30	1½" X 1½" Y STRAINER W/30 MESH SS SCREEN	150	1
LS150-50	1½" X 1½" Y STRAINER W/50 MESH SS SCREEN	150	1
LS150-80	1½" X 1½" Y STRAINER W/80 MESH SS SCREEN	150	1
LS150-120	1½" X 1½" Y STRAINER W/120 MESH SS SCREEN	150	1

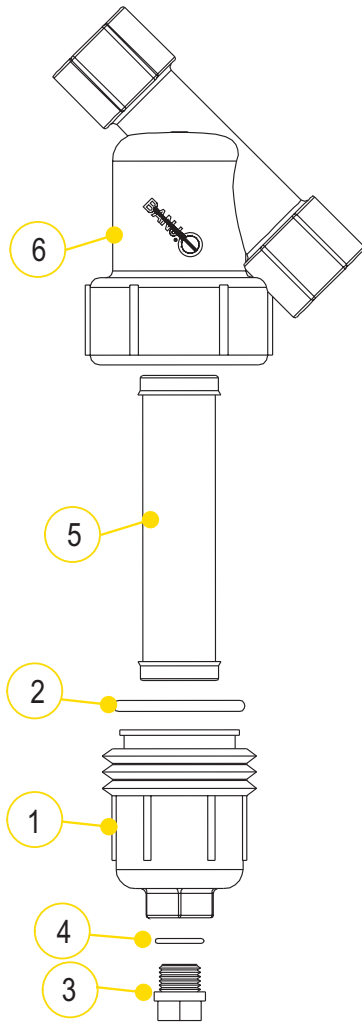


### 2" Y STRAINERS

PART NO	DESCRIPTION	MAX PSI	LOT QTY
LS200-06	2" X 2" Y STRAINER W/6 MESH POLY RIBBED SS SCREEN	150	1
LS200-12	2" X 2" Y STRAINER W/12 MESH POLY RIBBED SS SCREEN	150	1
LS200-20	2" X 2" Y STRAINER W/20 MESH POLY RIBBED SS SCREEN	150	1
LS200-30	2" X 2" Y STRAINER W/30 MESH POLY RIBBED SS SCREEN	150	1
LS200-50	2" X 2" Y STRAINER W/50 MESH POLY RIBBED SS SCREEN	150	5
LS200-80	2" X 2" Y STRAINER W/80 MESH POLY RIBBED SS SCREEN	150	1
LS200-100	2" X 2" Y STRAINER W/100 MESH POLY RIBBED SS SCREEN	150	1
LS200-120	2" X 2" Y STRAINER W/120 MESH POLY RIBBED SS SCREEN	150	1

# LINE STRAINERS

## 1½"-2" Y STRAINERS



REPLACEMENT PARTS			
ITEM	PART NO	DESCRIPTION	QTY
1	LS150-C	1½" - 2" END CAP (CONTAINS #1, #3, #4)	1
2	LS150-G	1½"-2" O-RING	1
2	LS150-GV	1½"-2" FKM GASKET	1
3	LSQ200-PL	1" DRAIN PLUG (FITS 1½" - 2")	1
4	LSQ200-RV	1½"-2" FKM O-RING FOR DRAIN PLUG	1
5	LS206	1½"-2" 6 MESH SCREEN	1
5	LS212	1½"-2" 12 MESH SCREEN	1
5	LS220	1½"-2" 20 MESH SCREEN	1
5	LS230	1½"-2" 30 MESH SCREEN	1
5	LS250	1½"-2" 50 MESH SCREEN	1
5	LS280	1½"-2" 80 MESH SCREEN	1
5	LS2100	1½"-2" 100 MESH SCREEN	1
5	LS2120	1½"-2" 120 MESH SCREEN	1
5	LS250P	1½"-2" 50 MESH ALL POLY SCREEN	1
6	N/A	1½" Y BODY	1
6	N/A	2" Y BODY	1
N/S	LS150B/C	1½" Y BODY, CAP & GASKET	1
N/S	LS200B/C	2" Y BODY, CAP & GASKET	1

SCREENS	
MESH SIZE	RIB COLOR
6 MESH	WHITE
12 MESH	BLACK
20 MESH	BEIGE
30 MESH	FLAME RED
40 MESH	BROWN
50 MESH	GENTIAN BLUE
80 MESH	ZINC YELLOW
100 MESH	TRAFFIC GREEN
120 MESH	BLACK

STANDARD MESHERS & DATA									
	6 MESH	8 MESH	12 MESH	20 MESH	30 MESH	50 MESH	80 MESH	100 MESH	120 MESH
MICRONS	3360	2380	1680	841	595	297	177	149	116
WIRE DIAMETER	.035	.028	.023	.016	.012	.009	.0055	.0045	.0037
OPENING	.132	.097	.060	.034	.021	.011	.007	.005	.0046
% OPEN AREA	62.7	60.2	51.8	46.2	40.8	30.3	31.4	30.3	30.5

# LINE STRAINERS

## 3" Y STRAINERS

### FEATURES

- Heavy duty glass reinforced polypropylene
- Corrosion resistant
- High volume
- Heavy duty end cap threads
- ½" clean out plug
- 304 stainless steel screens
- EPDM gaskets
- Warning: to be used on suction side or non-pressure side in all applications



### 3" Y STRAINERS

PART NO	DESCRIPTION	MAX PSI	LOT QTY
LSM300-04	3" X 3" Y STRAINER W/4 MESH SCREEN	75	2/BOX
LSM300-08	3" X 3" Y STRAINER W/8 MESH SCREEN	75	2/BOX
LSM300-12	3" X 3" Y STRAINER W/12 MESH SCREEN	75	2/BOX
LSM300-20	3" X 3" Y STRAINER W/20 MESH SCREEN	75	2/BOX
LSM300-50	3" X 3" Y STRAINER W/50 MESH SCREEN	75	2/BOX

## 3" Y STAINLESS STEEL STRAINERS

### FEATURES

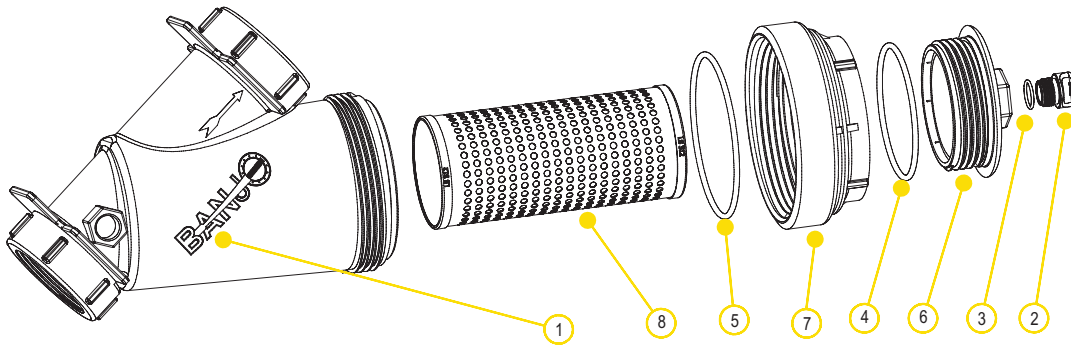
- Heavy duty stainless steel
- Corrosion resistant
- High volume
- Heavy duty end cap threads
- ½" clean out plug
- 304 stainless steel screens
- EPDM gaskets standard, FKM available
- Maximum operating pressure 225 psi
- Warning: to be used on suction side or non-pressure side in all applications



### 3" Y STRAINERS

PART NO	DESCRIPTION	QTY
LSS300-BC	3" SS BODY, CAP & GASKETS	1
LSS300-C	3" SS CAP	1
LSS300-S	EPDM SCREEN SEAL	1
LSS300-SV	FKM SCREEN SEAL	1
LSS300-G	EPDM CAP GASKET	1
LSS300-GV	FKM CAP GASKET	1

# LINE STRAINERS

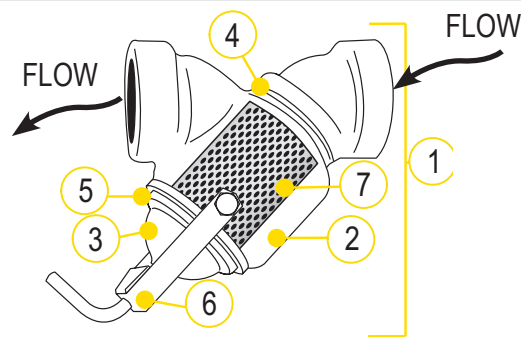


## 3" Y STRAINERS

- 304 stainless steel screens

### REPLACEMENT PARTS

ITEM	PART NO	DESCRIPTION	QTY
1	MLS300B1	3" BODY	1
2	13777	3/4" PLUG	1
3	13778	O-RING	1
4	MLS300ECG	EPDM END CAP GASKET	1
4	MLS300ECGV	FKM CAP GASKET	1
5	MLS300G	EPDM CAP GASKET	1
6	LS300EC	END CAP ONLY (PLUG SOLD SEPARATELY)	1
7	MLS300CAP	3" CAP	1
8	LS304	4 MESH SCREEN	1
8	LS308	8 MESH SCREEN	1
8	LS312	12 MESH SCREEN	1
8	LS320	20 MESH SCREEN	1
8	LS350	50 MESH SCREEN	1



## 3" Y STAINLESS STEEL STRAINERS

- 304 stainless steel screens

### REPLACEMENT PARTS

ITEM	PART NO	DESCRIPTION	QTY
1	LSS300-BC	3" SS BODY, CAP & GASKETS	1
2	N/A	3" SS BODY	1
3	LSS300-C	3" SS CAP	1
4	LSS300-S	EPDM SCREEN SEAL	1
4	LSS300-SV	FKM SCREEN SEAL	1
5	LSS300-G	EPDM CAP GASKET	1
5	LSS300-GV	FKM CAP GASKET	1
6	LSS300-H	HANDLE/CLAMP ASSEMBLY	1
7	LSS306	6 MESH SS SCREEN	1
7	LSS308	8 MESH SS SCREEN	1
7	LSS312	12 MESH SS SCREEN	1
7	LSS320	20 MESH SS SCREEN	1
7	LSS330	30 MESH SS SCREEN	1
7	LSS350	50 MESH SS SCREEN	1

# CENTRIFUGAL PUMPS

**PUMP ACCESSORIES**  
**PAGES 95**

SUCTION BASKET STRAINERS  
BASE PLATES

**2" POLY PUMPS**  
**PAGES 96 - 109**

GAS ENGINE PUMPS  
PUMP ONLY/ BEARING PEDESTAL  
WET SEAL WITH GAS ENGINE  
ELECTRIC MOTOR DRIVEN  
HYDRAULIC MOTOR DRIVEN  
MANIFOLD

**3" POLY PUMPS**  
**PAGES 110- 119**

GAS ENGINE PUMPS  
PUMP ONLY/ BEARING PEDESTAL  
MANIFOLD  
HYDRAULIC MOTOR DRIVEN  
WET SEAL WITH GAS ENGINE

**1½" & 2" CAST IRON PUMPS**  
**PAGES 120 - 127**

GAS ENGINE PUMPS  
PUMP ONLY/ BEARING PEDESTAL  
WET SEALS  
ELECTRIC MOTOR DRIVEN  
HYDRAULIC MOTOR DRIVEN

**2" CAST IRON 222**  
**SERIES PUMPS**  
**PAGES 128- 131**

GAS ENGINE PUMPS  
PUMP ONLY/ BEARING PEDESTAL  
HYDRAULIC MOTOR DRIVEN  
ELECTRIC MOTOR DRIVEN  
MANIFOLD WET SEAL

**3" CAST IRON PUMPS**  
**PAGES 132 - 137**

GAS ENGINE PUMPS  
PUMP ONLY/ BEARING PEDESTAL  
WET SEALS  
HYDRAULIC MOTOR DRIVEN

**3" CAST IRON 333**  
**SERIES PUMPS**  
**PAGES 138 - 139**

GAS ENGINE PUMPS  
PUMP ONLY/ BEARING PEDESTAL  
ELECTRIC MOTOR DRIVEN

**3" CAST IRON MANIFOLD WET**  
**SEAL M332 SERIES PUMPS**  
**PAGES 140 - 143**

GAS ENGINE PUMPS  
PUMP ONLY/ BEARING PEDESTAL  
ELECTRIC MOTOR DRIVEN  
HYDRAULIC MOTOR DRIVEN

**4" CAST IRON 444**  
**SERIES PUMPS**  
**PAGES 144 - 145**

GAS ENGINE PUMPS  
PUMP ONLY

**2" & 3" STAINLESS STEEL**  
**PUMPS**  
**PAGES 146- 153**

GAS ENGINE PUMPS  
PUMP ONLY/ BEARING PEDESTAL  
ELECTRIC MOTOR DRIVEN  
HYDRAULIC MOTOR DRIVEN



## SUCTION BASKET STRAINERS



### SUCTION BASKET STRAINERS

PART NO	DESCRIPTION	QTY
200SBS	2" FEMALE THREAD POLY BASKET	1
300SBS	3" FEMALE THREAD POLY BASKET	1

### FEATURES

- Made of polyethylene
- Prevents plugging and damage to pump while suctioning from streams or ponds.

## BASE PLATE ASSEMBLY



### BASE PLATE ASSEMBLY

PART NO	DESCRIPTION	QTY
18700	BASE PLATE ASSEMBLY INCLUDES PLATE, COUPLING GUARD, BOLT BAG AND SHIMS	1

### FEATURES

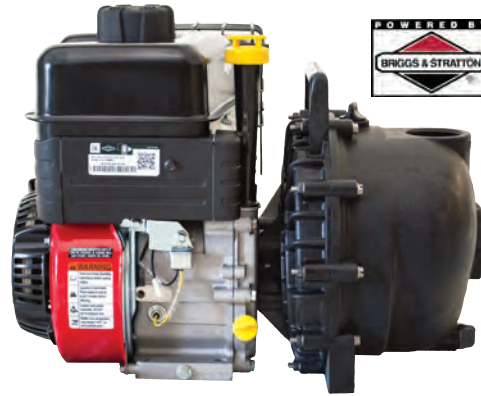
- Universal fit for 1½", 2" and 3" polypropylene or cast iron pumps

# CENTRIFUGAL PUMPS

## 2" POLY PUMPS

### FEATURES

- Precision molded construction
- Lightweight
- Corrosion resistant
- Superior design
- Low maintenance
- EPDM standard, FKM available
- Engine warranty service available at authorized Briggs & Stratton® and Honda® dealers



### 2" POLY PUMPS W/GAS ENGINES

PART NO	DESCRIPTION	HP	QTY	SKID QTY
200PH-5	2" POLY PUMP W/5.5 HP HONDA® ENGINE	5.5	1	12
200PH-5E	2" POLY PUMP W/5.5 HP HONDA® ENGINE W/ ELECTRIC START	5.5	1	12
200PH-5V	2" POLY PUMP W/5.5 HP HONDA® ENGINE W/FKM & 316 SS SEAL	5.5	1	12
200PH6	2" POLY PUMP W/6.5 HP HONDA® ENGINE	6.5	1	12
200P6PRO	2" POLY PUMP W/6.5 HP BRIGGS & STRATTON® ENGINE PRO SERIES	6.5	1	12
200P6PROE	2" POLY PUMP W/6.5 HP BRIGGS & STRATTON® ENGINE PRO SERIES W/ELECTRIC START	6.5	1	12
200P6PROV	2" POLY PUMP W/6.5 HP BRIGGS & STRATTON® ENGINE PRO SERIES W/FKM & 316 SS SEAL	6.5	1	12



WARNING! DO NOT RUN PUMP DRY, RESTRICT OR REDUCE PORT SIZES OR DEAD HEAD PUMP



WARNING! DO NOT USE WITH FLAMMABLE LIQUIDS



### 2" POLY PUMP BEARING PEDESTALS

PART NO	DESCRIPTION	HP	QTY	SKID QTY
200PB	2" POLY BEARING PEDESTAL W/ 3/4" SHAFT & 3 VANE IMPELLER	N/A	1	18
205PB	2" POLY BEARING PEDESTAL W/ 3/4" SHAFT & 5 VANE IMPELLER	N/A	1	18
205PB-V	2" POLY BEARING PEDESTAL W/ 3/4" SHAFT & 5 VANE IMPELLER W/FKM & 316 SS SEAL	N/A	1	18



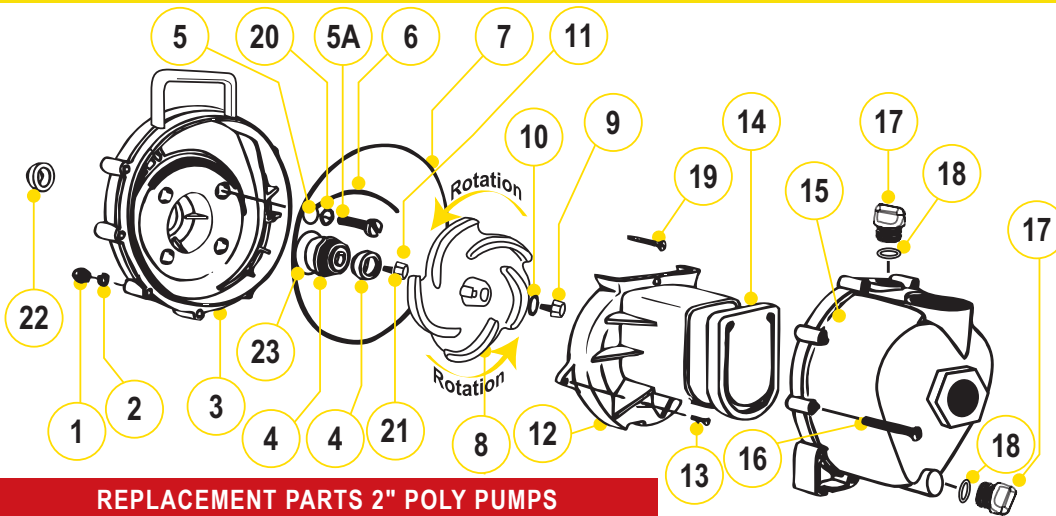
### 2" POLY PUMP ONLYS

PART NO	DESCRIPTION	HP	QTY	SKID QTY
200PO	2" POLY PUMP ONLY* W/ 3 & 5 VANE IMPELLER	N/A	1	27
200PO-V	2" POLY PUMP ONLY* W/ 3 & 5 VANE IMPELLER W/FKM & 316 SS SEAL	N/A	1	27

Note: Requires 3/4" shaft on motor

# CENTRIFUGAL PUMPS

## 2" POLY PUMPS

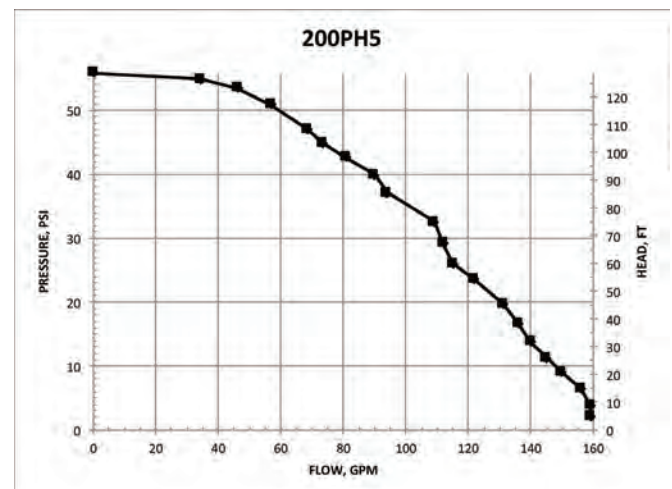
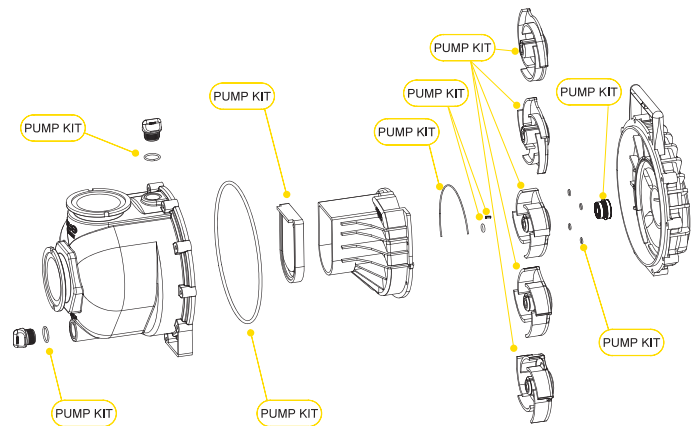


### REPLACEMENT PARTS 2" POLY PUMPS

ITEM	PART NO	DESCRIPTION	QTY
1	V07019	SS BODY NUTS	10
2	V07018	SS LOCK WASHERS	10
3	12703A	POLY PUMP REAR BRACKET	1
4	12713	SEAL ASSEMBLY	1
4	12713V	FKM SEAL ASSEMBLY	1
5	12717	O-RING FOR SCREW HEAD	4
5	12717V	FKM O-RING FOR SCREW HEAD	4
5A	12715A	SS BRACKET SCREWS	4
6	12754	O-RING SEGMENT	1
6	12754V	FKM O-RING SEGMENT	1
7	12719A	BODY O-RING	1
7	12719AV	FKM BODY O-RING	1
8	12772	5 VANE IMPELLER	1
8	12771A	3 VANE IMPELLER	1
9	12765A	SS IMPELLER BOLT	1
10	A204	O-RING	1
10	A204V	FKM O-RING	1
11	12775A	IMPELLER HEX NUT	1
12	12702A	POLY PUMP VOLUTE	1
13	12725	SS VOLUTE SCREWS	1
14	12705	POLY PUMP CHECK VALVE	1
14	12705V	FKM CHECK VALVE	1
15	12712A	BODY ASSEMBLY	1
16	12720	SS BODY SCREWS	10
17	12777	1/2" PLUG	2
18	UV15163	PRIME/DRAIN PLUG O-RING	2
18	UV15163V	FKM PRIME/DRAIN PLUG O-RING	2
19	12900	SS UPPER VOLUTE SCREW	1
20	12901	SS REAR BRACKET WASHER	4
21	12902A	IMPELLER KEY	1
22	12716	POLY PUMP SLINGER	1
23	12710	O-RING FOR SEAL ASSEMBLY	1
23	12710V	FKM O-RING FOR SEAL ASSEMBLY	1
N/S	12882A	BEARING PEDESTAL	1
N/S	12099	7/16"-14 X 1.25" HHCS	1
KIT	12000A	POLY PUMP EPDM REPAIR KIT (ITEMS 4-8, 10, 14, 18, 21-23 & 12099)	1
KIT	12000AV	POLY PUMP FKM REPAIR KIT (ITEMS 4-8, 10, 14, 18, 21-23 & 12099)	1
KIT	12999A	PUMP SEAL/O-RING KIT (ITEMS 5-7, 10, 18, 22, 23 & 12099)	1
KIT	12999AV	FKM PUMP SEAL/O-RING KIT (ITEMS 5-7, 10, 18, 22, 23 & 12099)	1

### KITS 2" POLY PUMPS

PART NO	REPAIR KIT NO	SEAL KIT NO
200PH-5	12000A	12999A
200PH-5E	12000A	12999A
200PH-5V	12000AV	12999AV
200PH6	12000A	12999A
200P6PRO	12000A	12999A
200P6PROE	12000A	12999A
200P6PROV	12000AV	12999AV
200PB	12000A	12999A
205PB	12000A	12999A
205PB-V	12000AV	12999AV
200PO	12000A	12999A
200PO-V	12000AV	12999AV



# CENTRIFUGAL PUMPS

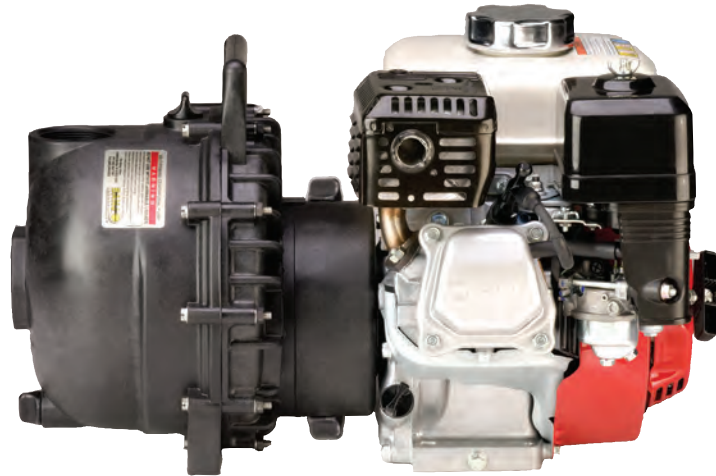
## 2" POLY WET SEAL PUMPS

### FEATURES

- Run dry capability
- Double seal contained in ethylene glycol reservoir. Carbon ceramic seal faces with stainless steel cup and spring with EPDM rubber.
- Pump end separated from engine
- V-shaped for quicker priming
- Engine warranty service available at authorized Briggs & Stratton® and Honda® dealers



WARNING! DO NOT USE WITH  
FLAMMABLE LIQUIDS



### 2" POLY WET SEAL PUMPS W/GAS ENGINES

PART NO	DESCRIPTION	HP	QTY	SKID QTY
200PH5W	2" POLY WET SEAL PUMP W/5.5 HP HONDA® ENGINE	5.5	1	12

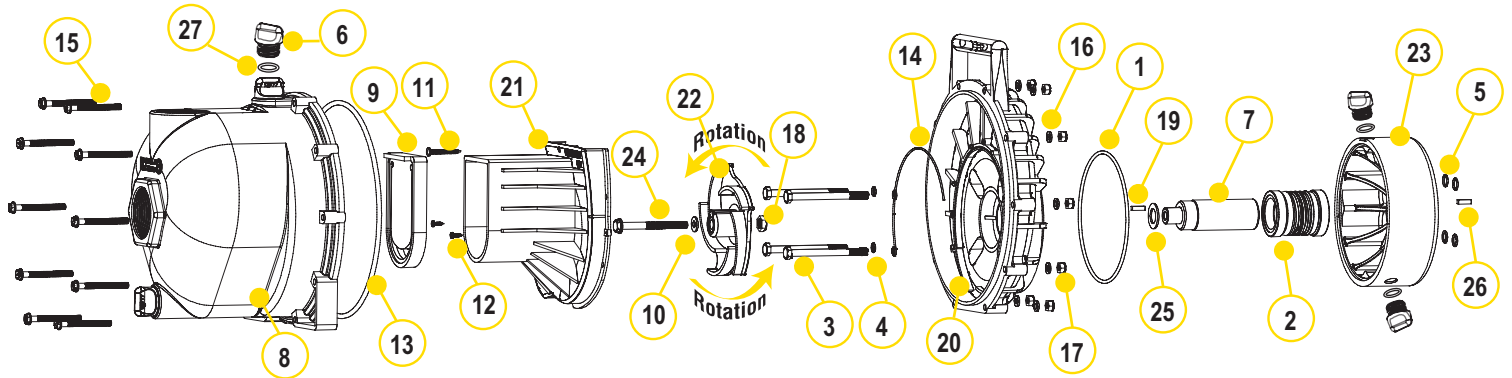


### 2" POLY WET SEAL PUMP ONLY

PART NO	DESCRIPTION	HP	QTY	SKID QTY
205POW	2" POLY WET SEAL PUMP ONLY, 5 VANE IMPELLER WITH EPDM SEALS	N/A	1	27

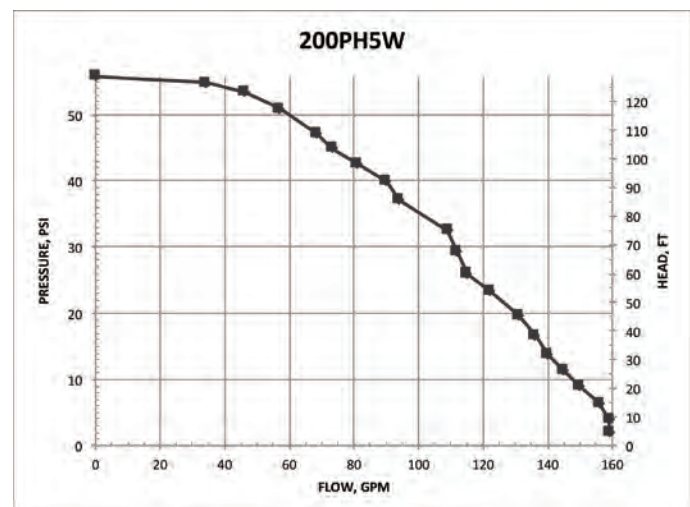
# CENTRIFUGAL PUMPS

## 2" POLY WET SEAL PUMPS



### REPLACEMENT PARTS 2" POLY PUMPS

ITEM	PART NO	DESCRIPTION	QTY
1	13719	O-RING	1
2	15035E	EPDM MECHANICAL SEAL ASSEMBLY	1
3	13034	5/16" -24 X 3 3/4" HHCS	4
4	12717	O-RING FOR BRACKET SCREW	4
5	12709	O-RING	4
6	12777	1/2" PLUG	4
7	12155	ADAPTER SHAFT	1
8	12712A	BODY ASSEMBLY	1
9	12705	CHECK VALVE	1
10	A204	IMPELLER BOLT GASKET	1
11	12900	#10 X 1 1/2" PPH SMS	1
12	12725	#6 X 1/2" PPH SMS	2
13	12719A	BODY O-RING	1
14	12754	O-RING SEGMENT	1
15	12720	1/4" - 20 X 2 1/2" SL IND HWHS	10
16	V07018	1/4" LOCK WASHER	10
17	V07019	1/4" - 20 HEX NUT	10
18	12775A	7/16" - 14 HEX NUT	1
19	12902A	3/16" SQ. X 5/8" KEY	2
20	12707W	WET SEAL REAR BRACKET	1
21	12702A	VOLUTE	1
22	12772	5 VANE IMPELLER	1
23	12202W	WET SEAL RESERVOIR	1
24	12766	5/16" - 24 X 3 3/4" HFS	1
25	CV10175	GASKET	1
26	12902A	1/4" SQ. 3/4" KEY STOCK	1
27	UV15163	O-RING FOR DRAIN PLUG	4

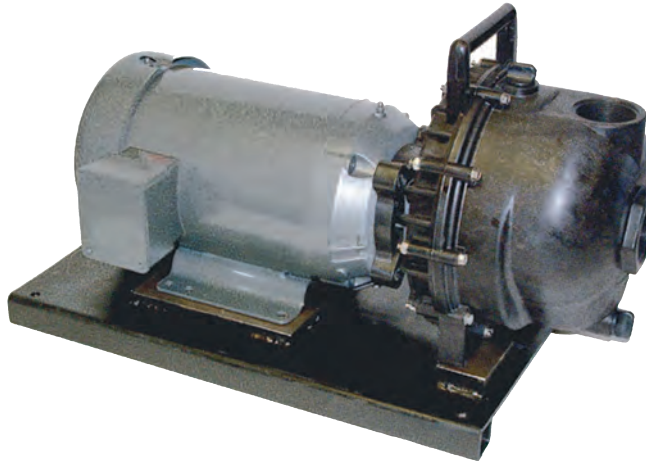


# CENTRIFUGAL PUMPS

## 2" POLY PUMPS WITH ELECTRIC MOTORS

### FEATURES

- Additional drive unit protection with added 1" spacer for ultimate protection
- The "Super Slinger" included for even more drive unit protection (not shown)



WARNING! DO NOT RUN PUMP DRY, RESTRICT OR REDUCE PORT SIZES OR DEAD HEAD PUMP



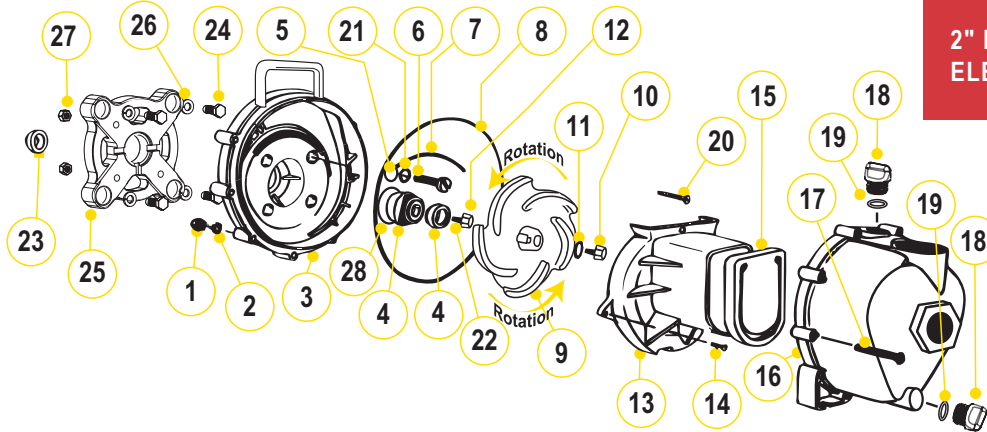
WARNING! DO NOT USE WITH FLAMMABLE LIQUIDS

### 2" POLY PUMPS W/ELECTRIC MOTORS

PART NO	DESCRIPTION	HP	QTY	SKID QTY
234PPE5	2" POLY PUMP W/5 HP THREE PHASE ELECTRIC MOTOR W/ EPDM ELASTOMERS	5	1	3
234PPE5V	2" POLY PUMP W/5 HP THREE PHASE ELECTRIC MOTOR W/FKM ELASTOMERS	5	1	3
234PPE51	2" POLY PUMP W/5 HP SINGLE PHASE ELECTRIC MOTOR W/ EPDM ELASTOMERS	5	1	3
234PPE51V	2" POLY PUMP W/5 HP SINGLE PHASE ELECTRIC MOTOR W/FKM ELASTOMERS	5	1	3

# CENTRIFUGAL PUMPS

2" POLY PUMPS WITH  
ELECTRIC MOTORS



## REPLACEMENT PARTS 2" POLY PUMPS

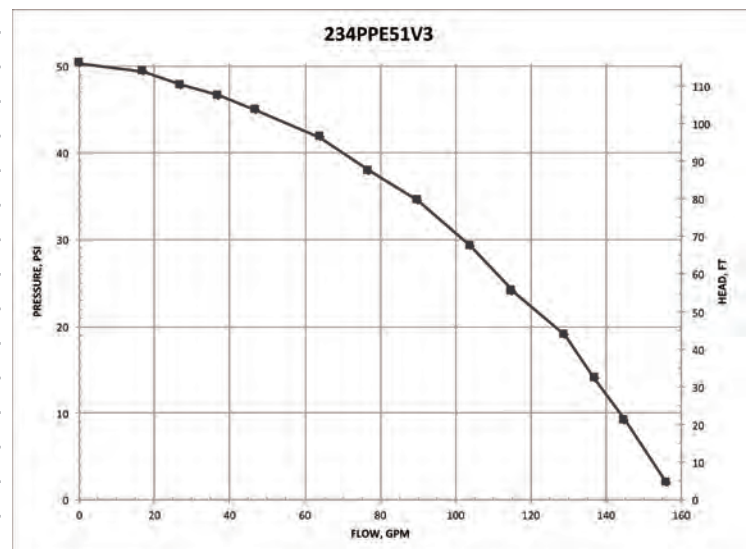
ITEM	PART NO	DESCRIPTION	QTY
1	V07019	SS BODY NUTS	10
2	V07018	SS LOCK WASHERS	10
3	12703A	POLY PUMP REAR BRACKET	1
4	12713	SEAL ASSEMBLY EPDM	1
4	12713V	SEAL ASSEMBLY FKM	1
5	12717	SCREW HEADS O-RING EPDM	4
5	12717V	SCREW HEADS O-RING FKM	4
6	N/A	SS BRACKET SCREWS	4
7	12754	O-RING SEGMENT EPDM	1
7	12754V	O-RING SEGMENT FKM	1
8	12719A	BODY O-RING EPDM	1
8	12719AV	BODY O-RING FKM	1
9	12772	5 VANE IMPELLER	1
10	12765A	SS IMPELLER BOLT	1
11	A204	O-RING	1
11	A204V	FKM O-RING	1
12	12775A	IMPELLER HEX NUT	1
13	12702A	POLY PUMP VOLUTE	1
14	12725	SS VOLUTE SCREWS	2
15	12705	POLY PUMP CHECK VALVE EPDM	1
15	12705V	POLY PUMP CHECK VALVE FKM	1
16	12712A	BODY ASSEMBLY EPDM	1
16	N/A	BODY ASSEMBLY FKM	1
17	12720	SS BODY SCREWS	10
18	12777	1/2" PLUG	2
19	UV15163	PRIME/DRAIN PLUG O-RING	2
19	UV15163V	FKM PRIME/DRAIN PLUG O-RING	2
20	12900	SS UPPER VOLUTE SCREW	1
21	12901	SS REAR BRACKET WASHER	4
22	12902A	IMPELLER KEY	1
23	12716	PUMP SLINGER	1
24	17704	3/8"-16 X 1.25" HHCS	8
25	12046	56C FRAME ADAPTER	1
26	V20018	LOCK WASHER FOR 56C FRAME ADAPTER	8
27	V10119	NUT FOR 56C FRAME ADAPTER	4
28	12710	O-RING FOR SEAL ASSEMBLY	1
28	12710V	FKM O-RING FOR SEAL ASSEMBLY	1

## REPLACEMENT PARTS 2" POLY PUMPS

ITEM	PART NO	DESCRIPTION	QTY
N/S	17701	BASE PLATE	1
N/S	12099	7/16"-14 X 1.25" HHCS	1
N/S	12052	56C FRAME ADAPTER SHAFT FOR 200PEO	1
KIT	12756	56C FRAME ADAPTER KIT (ITEMS 4, 6, 22, 24-27, 12052, 12053, 15751, 15752)	1
KIT	12000A	POLY PUMP EPDM REPAIR KIT (ITEMS 4, 5, 7, 8, 9, 11, 15, 19, 22-23 & 12099)	1
KIT	12000AV	POLY PUMP FKM REPAIR KIT (ITEMS 4, 5, 7, 8, 9, 11, 15, 19, 22-23 & 12099)	1
KIT	12999A	PUMP SEAL/O-RING KIT (ITEMS 4, 5, 7, 8, 11, 19, 23)	1
KIT	12999AV	FKM PUMP SEAL/O-RING KIT (ITEMS 4, 5, 7, 8, 11, 19, 23)	1

## KITS 2" POLY PUMPS

PART NO	REPAIR KIT NO	SEAL KIT NO	FRAME ADAPTER KIT
234PPE5	12000A	12999A	12756
234PPE5V	12000AV	12999AV	12756
234PPE51	12000A	12999A	12756
234PPE51V	12000AV	12999AV	12756



# CENTRIFUGAL PUMPS

## 2" POLY PUMPS WITH HYDRAULIC MOTORS

### FEATURES

- Precision molded construction
- Lightweight
- Corrosion resistant
- Low maintenance
- Hydraulic fluid capacity is minimum 6 gallons and maximum 10 gallons
- Open or closed system
- 3600 R.P.M.
- Recommendation to use the motor spool control valve or a suitable equivalent. The lack of such a valve in this circuit may cause failure to the hydraulic motor.



### 2" POLY PUMPS W/HYDRAULIC MOTORS

PART NO	DESCRIPTION	HP	QTY	SKID QTY
200PHA	2" POLY PUMP WITHOUT HYDRAULIC MOTOR	N/A	1	27
200PHY	2" POLY PUMP W/12 HP HYDRAULIC MOTOR	12.0	1	18
200PHYW	2" POLY WET SEAL PUMP W/12 HP HYDRAULIC MOTOR	12.0	1	18

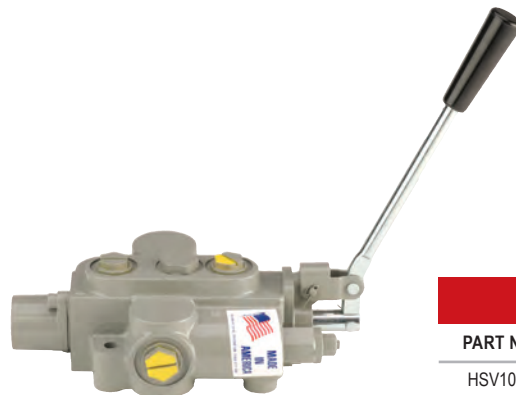
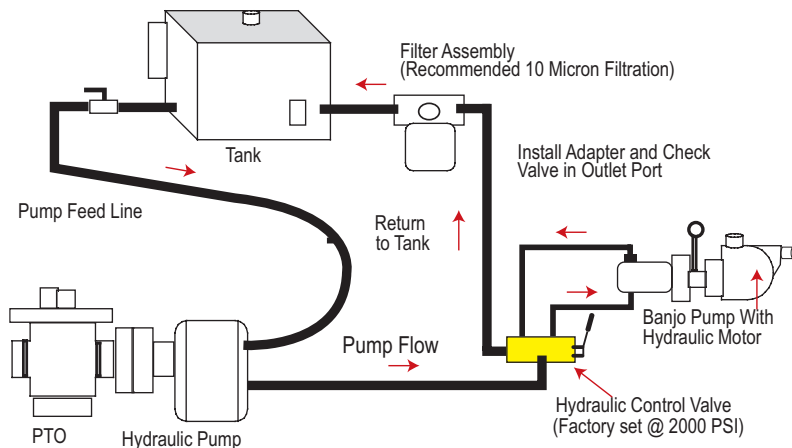


WARNING! DO NOT RUN PUMP DRY, RESTRICT OR REDUCE PORT SIZES OR DEAD HEAD PUMP



WARNING! DO NOT USE WITH FLAMMABLE LIQUIDS

### SPOOL VALVE ASSEMBLY DIAGRAM



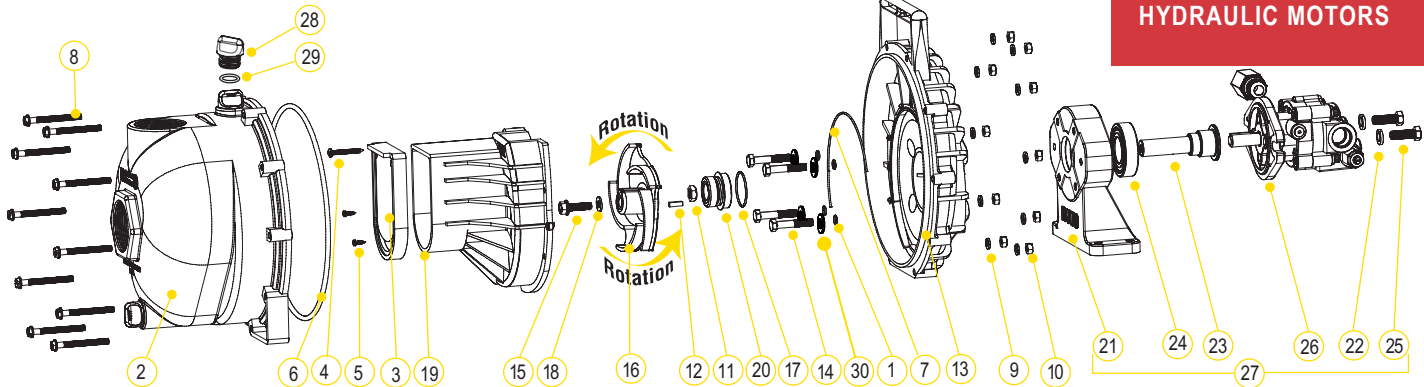
### HYDRAULIC MOTOR SPOOL VALVE

PART NO	DESCRIPTION	HP	QTY
HSV1000	HYDRAULIC MOTOR SPOOL VALVE	N/A	1



# CENTRIFUGAL PUMPS

## 2" POLY PUMPS WITH HYDRAULIC MOTORS



### REPLACEMENT PARTS 2" POLY PUMPS

ITEM	PART NO	DESCRIPTION	QTY
1	12717	O-RING FOR SCREW HEADS	4
2	12712A	BODY ASSEMBLY	1
3	12705	CHECK VALVE	1
4	12900	SS UPPER VOLUTE SCREW	1
5	12725	SS VOLUTE SCREWS	2
6	12719A	BODY O-RING	1
7	12754	O-RING SEGMENT	1
8	12720	SS BODY SCREWS	10
9	V07018	SS LOCK WASHERS	10
10	V07019	SS BODY NUTS	10
11	12775A	IMPELLER HEX NUT	1
12	12902A	IMPELLER KEY	1
13	12703A	POLY PUMP REAR BRACKET	1
14	12715A	5/16"-24 X 1.75" HHCS	4
15	12765A	SS IMPELLER BOLT	1
16	12772	5 VANE IMPELLER	1
17	12710	O-RING FOR SEAL ASSEMBLY	1
18	A204	O-RING	1
19	12702A	POLY PUMP VOLUTE	1
20	12713	MECHANICAL SEAL ASSEMBLY	1
21	12049F	HYDRAULIC PEDESTAL HOUSING	1
22	V20018	3/8" LOCK WASHER	2
23	12055E	ADAPTER SHAFT	1
24	17056E	BEARING	1
25	18010SS	3/8"-16 X 1.25" HHCS	2
26	HY1013	HYDRAULIC MOTOR	1
27	12600B	COMPLETE HYDRAULIC ASSEMBLY	1
28	12777	1/2" PLUG	2
29	UV15163	O-RING FOR PLUG	2
30	12901	WASHER (200PHA & 200PHY)	4
N/S	HY1003	HYDRAULIC MOTOR SEAL KIT	1
KIT	12000A	POLY PUMP EPDM REPAIR KIT (ITEMS 1, 3, 6, 7, 12, 16-18, 20, 12099)	1
KIT	12999A	PUMP SEAL/O-RING KIT (ITEMS 1, 6, 7, 17, 20, 29, 12099)	1

### KITS 2" POLY PUMPS

PART NO	EPDM REPAIR KIT NO	EPDM SEAL KIT NO	HYDRAULIC MOTOR SEAL KIT
200PHA	12000A	12999A	N/A
200PHY	12000A	12999A	HY1003

### HYDRAULIC MOTOR DATA

U.S. GALLONS/REV.	0.0025
CUBIC INCHES/REV.	0.580
LITERS/REV.	0.0097
MAX HYDRAULIC PRESSURE	2000 PSI
MIN HYDRAULIC PRESSURE	200 PSI
INLET PORT	SAE 10 (7/8-14 UNF-2B)
OUTLET PORT	SAE 10 (7/8-14 UNF-2B)
MINIMUM GPM REQUIRED	6 GPM 2400 RPM
MAXIMUM GPM REQUIRED	10 GPM 4000 RPM
IDEAL GPM REQUIRED	9 GPM 3600 RPM

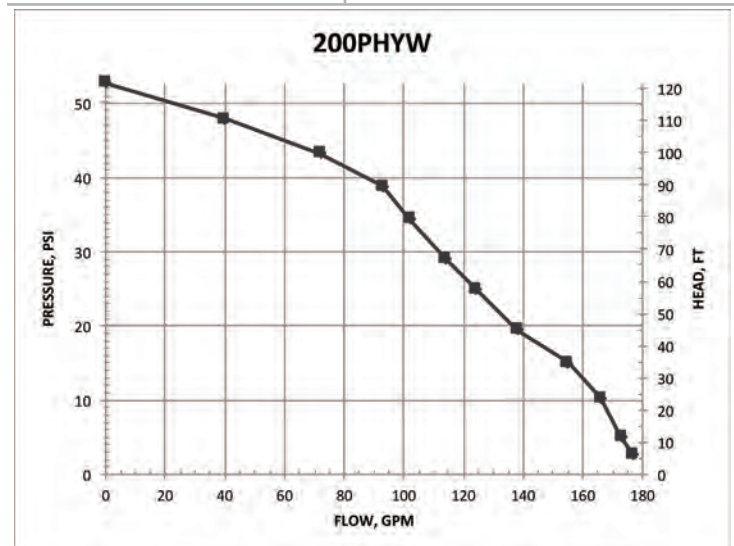
### CONNECTION INFORMATION

INLET	"A" PORT
OUTLET	"B" PORT

SUPPLIED CHECK VALVE IS TO ENSURE PROPER ROTATION OF THE BANJO PUMP. PLACE CHECK VALVE IN OUTLET PORT (MARKED "B") FOR PROPER RIGHT HAND ROTATION.

### SPOOL VALVE INFORMATION

REQUIRED OUTLET FLOW	MIN 6 GPM / MAX 10 GPM
REQUIRED SYSTEM PRESSURE	MIN 600 PSI / MAX 3000 PSI



# CENTRIFUGAL PUMPS

## 2" POLY MANIFOLD PUMPS WITH GAS ENGINES

### FEATURES

- Precision molded construction
- Lightweight
- Corrosion resistant
- Low maintenance
- See pages 41-47 on manifold fittings for easy plumbing.



### 2" POLY MANIFOLD PUMPS W/GAS ENGINES

PART NO	DESCRIPTION	HP	QTY	SKID QTY
M220PH5	2" POLY MANIFOLD PUMP W/5.5 HP HONDA® ENGINE	5.5	1	12
M220PH6	2" FP MANIFOLD PUMP W/6.5 HP HONDA® ENGINE	6.5	1	12
M220P6PRO	2" FP MANIFOLD PUMP W/6.5 HP BRIGGS & STRATTON® PRO SERIES ENGINE	6.5	1	12



WARNING! DO NOT RUN PUMP DRY, RESTRICT OR REDUCE PORT SIZES OR DEAD HEAD PUMP



WARNING! DO NOT USE WITH FLAMMABLE LIQUIDS

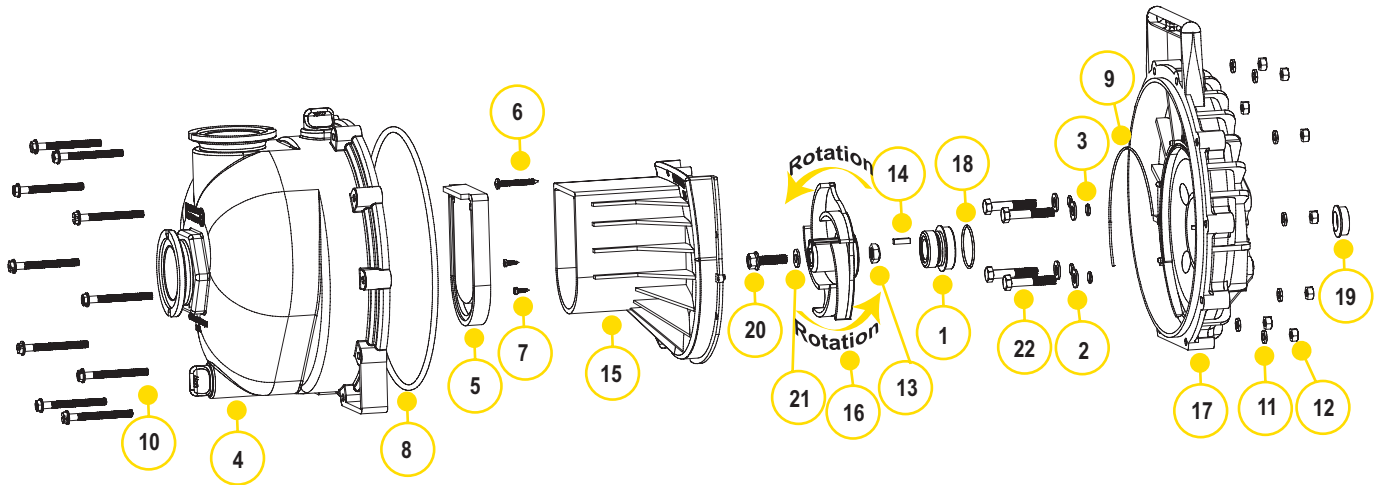


### 2" POLY MANIFOLD PUMP ONLY

PART NO	DESCRIPTION	HP	QTY	SKID QTY
M225PO	2" POLY MANIFOLD PUMP ONLY W/ 3/4" SHAFT & 5 VANE IMPELLER	N/A	1	27

# CENTRIFUGAL PUMPS

## 2" POLY MANIFOLD PUMPS WITH GAS ENGINES



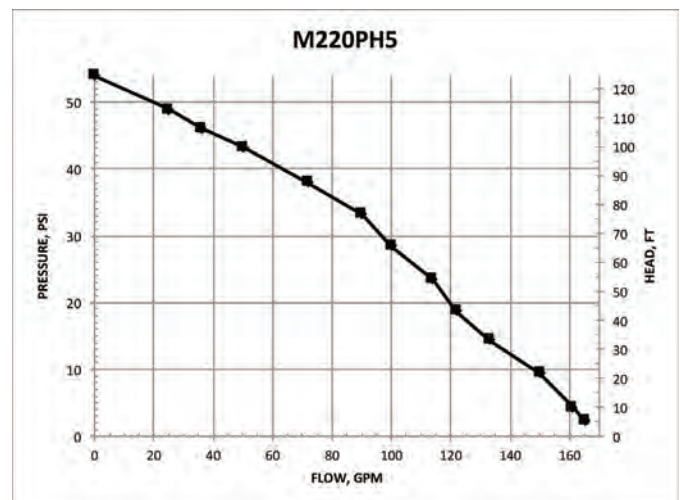
### REPLACEMENT PARTS 2" POLY PUMPS

ITEM	PART NO	DESCRIPTION	QTY
1	12713	MECHANICAL SEAL ASSEMBLY	1
2	12901	SS REAR BRACKET WASHER	4
3	12717	O-RING FOR SCREW HEAD	4
4	M12712	2" FP MANIFOLD PUMP BODY ASSEMBLY	1
5	12705	POLY PUMP CHECK VALVE	1
6	12900	SS UPPER VOLUTE SCREW	1
7	12725	SS VOLUTE SCREWS	2
8	12719A	BODY O-RING	1
9	12754	O-RING SEGMENT	1
10	12720	SS BODY SCREWS	10
11	V07018	SS LOCK WASHERS	10
12	V07019	SS BODY NUTS	10
13	12775A	IMPELLER HEX NUT	1
14	12902A	IMPELLER KEY	1
15	12702A	POLY PUMP VOLUTE	1
16	12772	5 VANE IMPELLER	1
16	12771A	3 VANE IMPELLER	1
17	12703A	POLY PUMP REAR BRACKET	1
18	12710	O-RING FOR SEAL ASSEMBLY	1
19	12716	POLY PUMP SLINGER	1
20	12765A	SS IMPELLER BOLT	1
21	A204	O-RING	1
22	12715A	SS BRACKET SCREWS	4
KIT	12000A	POLY PUMP EPDM REPAIR KIT (ITEMS 2,4,7,8,14, 17,19,21,30, 12099)	1
KIT	12000AV	POLY PUMP FKM REPAIR KIT (ITEMS 2,4,7,8,14, 17,19,21,30, 12099)	1
KIT	12999A	PUMP SEAL/O-RING KIT (ITEMS 2,4,7,8,17,19,21,30, 12099)	1
KIT	12999AV	FKM PUMP SEAL/O-RING KIT (ITEMS 4-7,8,10,18, 23 & 12099)	1

### KITS 2" POLY PUMPS

PART NO	EPDM REPAIR KIT NO	FKM REPAIR KIT NO	EPDM SEAL KIT NO	FKM SEAL KIT NO
M220PH5	12000A	12000AV	12999A	12999AV
M220PH6	12000A	12000AV	12999A	12999AV
M220P6PRO	12000A	12000AV	12999A	12999AV
M225PO	12000A	12000AV	12999A	12999AV

SEE 12000A & 12000AV KIT DRAWING ON PAGE 99



# CENTRIFUGAL PUMPS

## 2" POLY MANIFOLD WET SEAL PUMPS

### FEATURES

- Run dry capability
- Double seal contained in ethylene glycol reservoir. Carbon ceramic seal faces with stainless steel cup and spring with EPDM rubber
- Pump end separated from engine
- Large weep holes between pump and engine
- V-shaped for quicker priming
- See pages 41-47 on manifold fittings for easy plumbing.



### 2" POLY MANIFOLD WET SEAL PUMPS W/GAS ENGINES

PART NO	DESCRIPTION	HP	QTY	SKID QTY
M220PH5W	2" POLY MANIFOLD WET SEAL PUMP W/5.5 HP HONDA® ENGINE	5.5	1	12



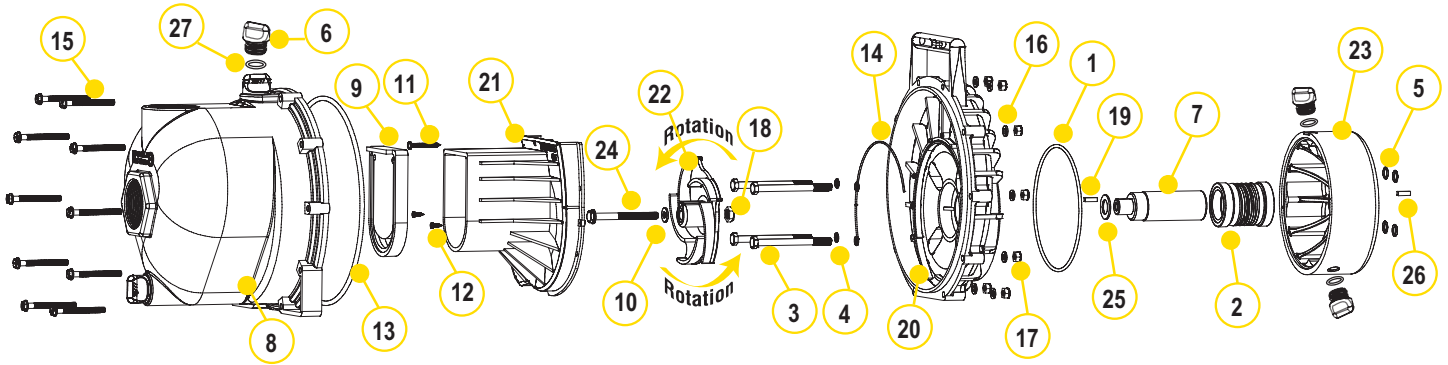
WARNING! DO NOT RUN PUMP DRY, RESTRICT OR REDUCE PORT SIZES OR DEAD HEAD PUMP



WARNING! DO NOT USE WITH FLAMMABLE LIQUIDS

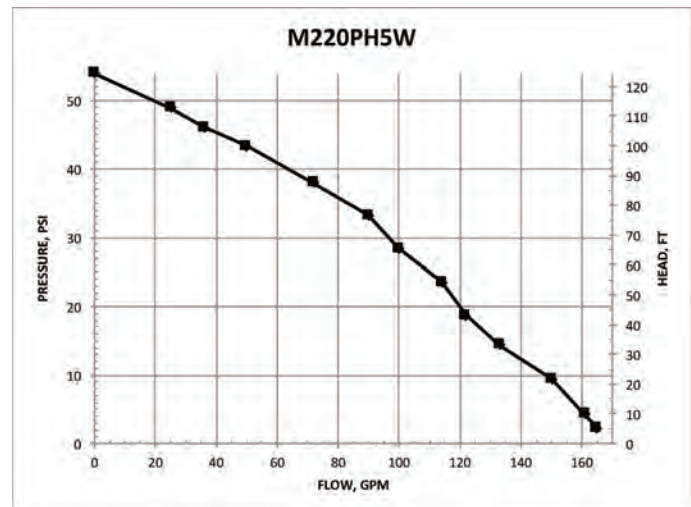
# CENTRIFUGAL PUMPS

## 2" POLY MANIFOLD WET SEAL PUMPS



### REPLACEMENT PARTS 2" POLY PUMPS

ITEM	PART NO	DESCRIPTION	QTY
1	13719	O-RING	1
2	15035E	EPDM MECHANICAL SEAL ASSEMBLY	1
3	13034	$\frac{5}{16}$ " -24 X 3 $\frac{3}{4}$ " HHCS	4
4	12717	O-RING FOR BRACKET SCREW	4
5	12709	O-RING	4
6	12777	$\frac{1}{2}$ " PLUG	4
7	12155	ADAPTER SHAFT	1
8	M12712	2" FP MANIFOLD PUMP BODY ASSEMBLY	1
9	12705	CHECK VALVE	1
10	A204	IMPELLER BOLT GASKET	1
11	12900	#10 X 1 $\frac{1}{2}$ " PPH SMS	1
12	12725	#6 X $\frac{1}{2}$ " PPH SMS	2
13	12719A	BODY O-RING	1
14	12754	O-RING SEGMENT	1
15	12720	$\frac{1}{4}$ " - 20 X 2 $\frac{1}{2}$ " SL IND HWHS	10
16	V07018	$\frac{1}{4}$ " LOCK WASHER	10
17	V07019	$\frac{1}{4}$ " - 20 HEX NUT	10
18	12775A	$\frac{7}{16}$ " - 14 HEX NUT	1
19	12902A	$\frac{3}{16}$ " SQ. X $\frac{5}{8}$ " KEY	2
20	12707W	WET SEAL REAR BRACKET	1
21	12702A	VOLUTE	1
22	12772	5 VANE IMPELLER	1
23	12202W	WET SEAL RESERVOIR	1
24	12766	$\frac{5}{16}$ " - 24 X 3 $\frac{1}{4}$ " HFS	1
25	CV10175	GASKET	1
26	12902A	$\frac{1}{4}$ " SQ. $\frac{3}{4}$ " KEY STOCK	1
27	UV15163	O-RING FOR DRAIN PLUG	4



# CENTRIFUGAL PUMPS

## 3" POLY PUMPS

### FEATURES

- Pump end separated from engine
- Large weep holes between pump and engine
- V-shaped for quicker priming
- Pump only comes unassembled



### 3" POLY PUMPS W/GAS ENGINES

PART NO	DESCRIPTION	HP	QTY	SKID QTY
300PH-6	3" POLY PUMP W/6.5 HP HONDA® ENGINE	6.5	1	16
300P11PRO	3" POLY PUMP W/11 HP BRIGGS & STRATTON® ENGINE PRO SERIES W/ELECTRIC START & PULL ROPE	11	1	8



WARNING! DO NOT RUN PUMP DRY, RESTRICT OR REDUCE PORT SIZES OR DEAD HEAD PUMP



WARNING! DO NOT USE WITH FLAMMABLE LIQUIDS



### 3" POLY BEARING PEDESTAL

PART NO	DESCRIPTION	HP	QTY	SKID QTY
300PB	3" POLY BEARING PEDESTAL W/ 3/4" SHAFT & 4 VANE IMPELLER	N/A	1	18

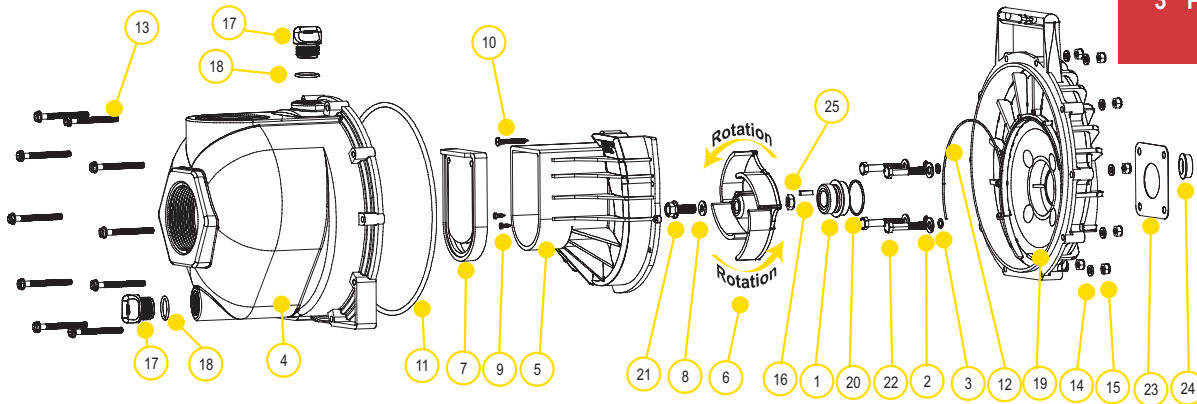


### 3" POLY PUMP ONLY

PART NO	DESCRIPTION	HP	QTY	SKID QTY
300PO	3" POLY PUMP ONLY W/ 3/4" SHAFT & 4 VANE IMPELLER	N/A	1	27

# CENTRIFUGAL PUMPS

## 3" POLY PUMPS



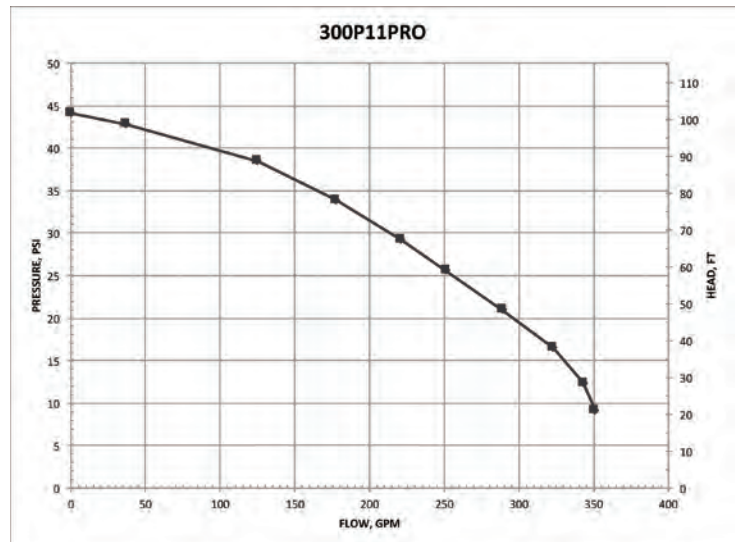
### REPLACEMENT PARTS 3" POLY PUMPS

ITEM	PART NO	DESCRIPTION	QTY
1	12713	SEAL ASSEMBLY	1
2	12901	SS REAR BRACKET WASHER	1
3	12717	O-RING FOR SCREW HEAD	1
4	13712	BODY ASSEMBLY	1
5	13702	POLY PUMP VOLUTE	1
6	13771	4 VANE TRIMMED IMPELLER (300PH-6, 300PB & 300PO)	1
6	13772	4 VANE IMPELLER (300P11PRO)	1
7	12705	CHECK VALVE	1
8	A204	O-RING	1
9	12900	SS UPPER VOLUTE SCREW	1
10	12725	SS VOLUTE SCREWS	1
11	12719A	BODY O-RING	1
12	12754	O-RING SEGMENT	1
13	12720	SS BODY SCREWS	1
14	V07018	SS LOCK WASHERS	1
15	V07019	SS BODY NUTS	1
16	12902A	IMPELLER KEY	1
17	13777	3/4" PLUG	1
18	13778	O-RING	1
19	12703A	POLY PUMP REAR BRACKET	1
20	12710	O-RING FOR SEAL ASSEMBLY	1
21	12765A	SS IMPELLER BOLT 3/16 X 24 X 1.12 (300PH-6)	1
21	13765	SS IMPELLER BOLT 3/8 X 24 X 1.75 (300P11PRO)	1
22	12715A	SS BRACKET SCREWS	1
23	15751	REAR BRACKET SHIM	1
24	12716	POLY PUMP SLINGER	1
25	12775A	IMPELLER HEX NUT	1
N/S	12882A	BEARING PEDESTAL	1
N/S	12099	7/16"-14 X 1.25" HHCS	1
N/S	12000A	POLY PUMP EPDM REPAIR KIT (ITEMS 1, 3, 6-8, 11, 12, 16, 18, 20, 24 & 12099)	1
N/S	13999	PUMP SEAL/O-RING KIT (ITEMS 1, 3, 8, 11, 12, 18, 20, 24 & 12099)	1

### KITS 3" POLY PUMPS

PART NO	EPDM REPAIR KIT NO	EPDM SEAL KIT NO
300PH-6	12000A	13999
300P11PRO	N/A	13999
300PB	12000A	13999
300PO	12000A	13999

SEE 12000A KIT DRAWING ON PAGE 99



# CENTRIFUGAL PUMPS

## 3" POLY MANIFOLD PUMPS

### FEATURES

- Pump end separated from engine
- Large weep holes between pump and engine
- V-shaped for quicker priming
- Pump only comes unassembled
- See pages 41-47 on manifold fittings for easy plumbing.



### 3" POLY MANIFOLD PUMPS W/GAS ENGINES

PART NO	DESCRIPTION	HP	QTY	SKID QTY
M300PH6	3" POLY MANIFOLD PUMP W/6.5 HP HONDA® ENGINE	6.5	1	12
M300P11PRO	3" POLY MANIFOLD PUMP W/11 HP BRIGGS & STRATTON® PRO SERIES W/ELECTRIC START & PULL ROPE	11	1	12



WARNING! DO NOT RUN PUMP DRY, RESTRICT OR REDUCE PORT SIZES OR DEAD HEAD PUMP



WARNING! DO NOT USE WITH FLAMMABLE LIQUIDS



### 3" POLY MANIFOLD BEARING PEDESTAL

PART NO	DESCRIPTION	HP	QTY	SKID QTY
M300PB	3" POLY MANIFOLD BEARING PEDESTAL W/ 3/4" SHAFT & 4 VANE IMPELLER	N/A	1	18



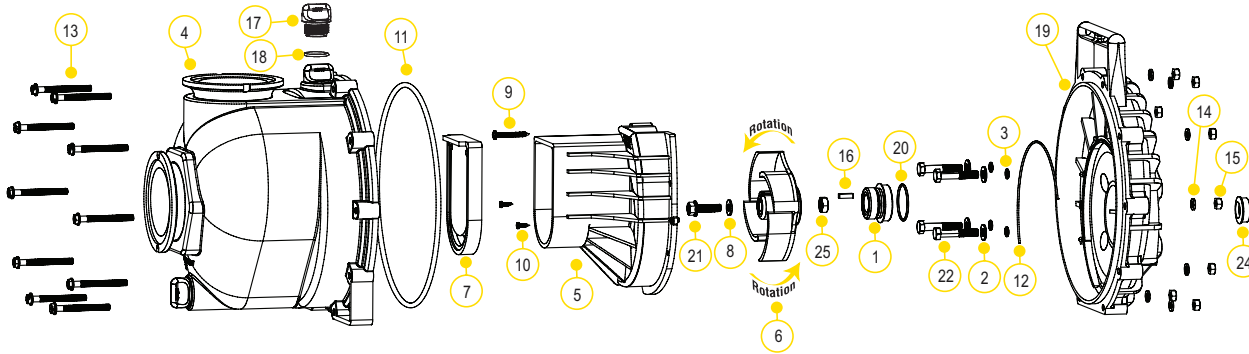
### 3" POLY MANIFOLD PUMP ONLY

PART NO	DESCRIPTION	HP	QTY	SKID QTY
M300PO	3" POLY MANIFOLD PUMP ONLY W/ 3/4" SHAFT & 4 VANE IMPELLER	N/A	1	27



# CENTRIFUGAL PUMPS

## 3" POLY MANIFOLD PUMPS

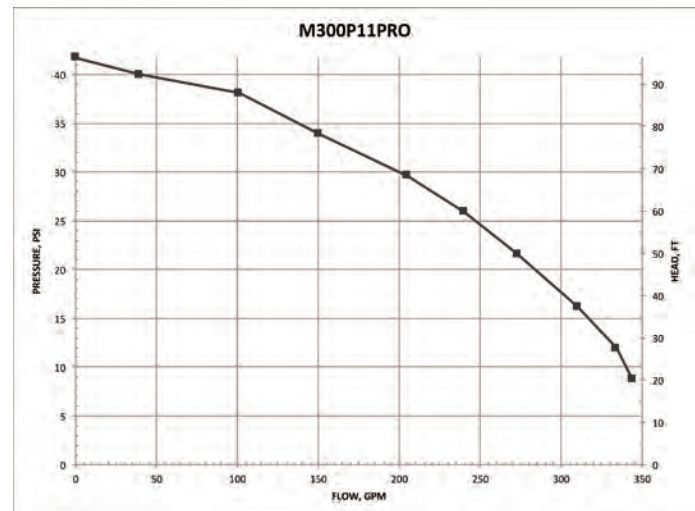


### REPLACEMENT PARTS 3" POLY MANIFOLD PUMPS

ITEM	PART NO	DESCRIPTION	QTY
1	12713	SEAL ASSEMBLY	1
2	12901	SS REAR BRACKET WASHER	4
3	12717	O-RING FOR SCREW HEAD	4
4	M13712	MANIFOLD BODY ASSEMBLY	1
5	13702	POLY PUMP VOLUTE	1
6	13771	4 VANE TRIMMED IMPELLER (M300PH-6, M300PB & M300PO)	1
6	13772	4 VANE IMPELLER (M300P11PRO)	1
7	12705	CHECK VALVE	1
8	A204	O-RING	1
9	12900	SS UPPER VOLUTE SCREW	4
10	12725	SS VOLUTE SCREWS	2
11	12719A	BODY O-RING	1
12	12754	O-RING SEGMENT	1
13	12720	SS BODY SCREWS	10
14	V07018	SS LOCK WASHERS	10
15	V07019	SS BODY NUTS	10
16	12902A	IMPELLER KEY	1
17	13777	3/4" PLUG	2
18	13778	O-RING	2
19	12703A	POLY PUMP REAR BRACKET	1
20	12710	O-RING FOR SEAL ASSEMBLY	1
21	12765A	SS IMPELLER BOLT 5/16 X 24 X 1.12 (-6)	1
21	13765	SS IMPELLER BOLT 3/8 X 24 X 1.75 (M300P11PRO)	1
22	12715A	SS BRACKET SCREWS	4
23	15751	REAR BRACKET SHIM	1
24	12716	POLY PUMP SLINGER	1
25	12775A	IMPELLER HEX NUT	1
N/S	12882A	BEARING PEDESTAL	1
N/S	12099	7/16"-14 X 1.25" HHCS	1
N/S	12000A	POLY PUMP EPDM REPAIR KIT (ITEMS 1, 3, 6-8, 11, 12, 16, 18, 20, 24 & 12099)	1
N/S	13999	PUMP SEAL/O-RING KIT (ITEMS 1, 3, 8, 11, 12, 18, 20, 24 & 12099)	1

### KITS 3" POLY PUMPS

PART NO	EPDM REPAIR KIT NO	EPDM SEAL KIT NO
M300PH6	12000A	13999
M300P11PRO	N/A	13999
M300PB	12000A	13999
M300PO	12000A	13999



# CENTRIFUGAL PUMPS

## 3" POLY PUMPS WITH HYDRAULIC MOTORS

### FEATURES

- Precision molded construction
- Lightweight
- Corrosion resistant
- Low maintenance
- Hydraulic fluid capacity is minimum 6 gallons and maximum 10 gallons
- Open or closed system
- 3600 R.P.M.
- Recommendation to use the motor spool control valve or a suitable equivalent. The lack of such a valve in this circuit may cause failure to the hydraulic motor.



### 3" POLY PUMPS W/HYDRAULIC MOTORS

PART NO	DESCRIPTION	HP	QTY	SKID QTY
300PHY	3" POLY PUMP W/12 HP H YDRAULIC MOTOR	12	1	18
300PHYW	3" POLY WET SEAL PUMP W/12 HP HYDRAULIC MOTOR	12	1	12
305PHAW	3" POLY WET SEAL PUMP W/5 VANE IMPELLER W/OUT HYDRAULIC MOTOR	N/A	1	18

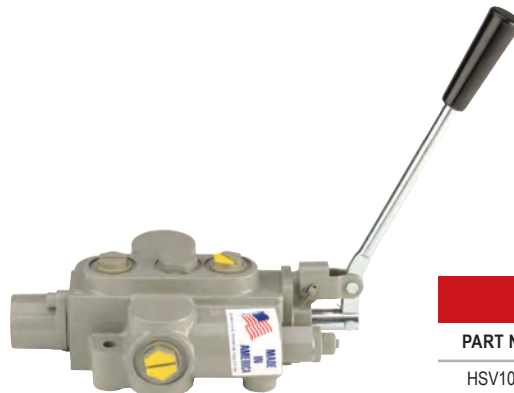
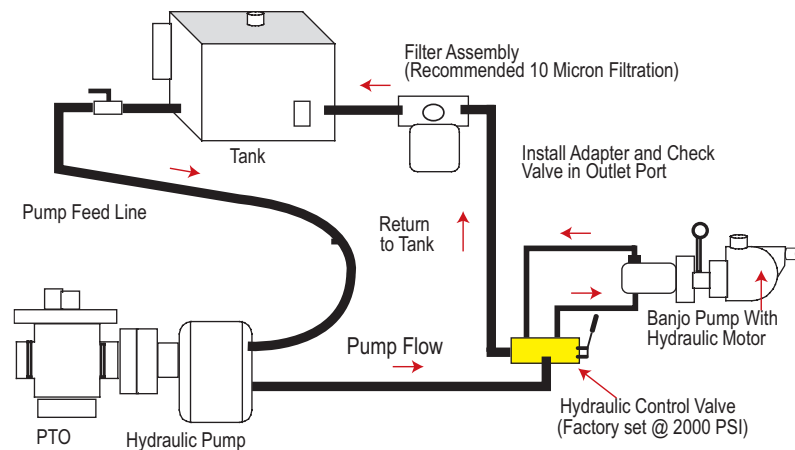


**WARNING! DO NOT RUN PUMP DRY, RESTRICT OR REDUCE PORT SIZES OR DEAD HEAD PUMP**



**WARNING! DO NOT USE WITH FLAMMABLE LIQUIDS**

### SPOOL VALVE ASSEMBLY DIAGRAM

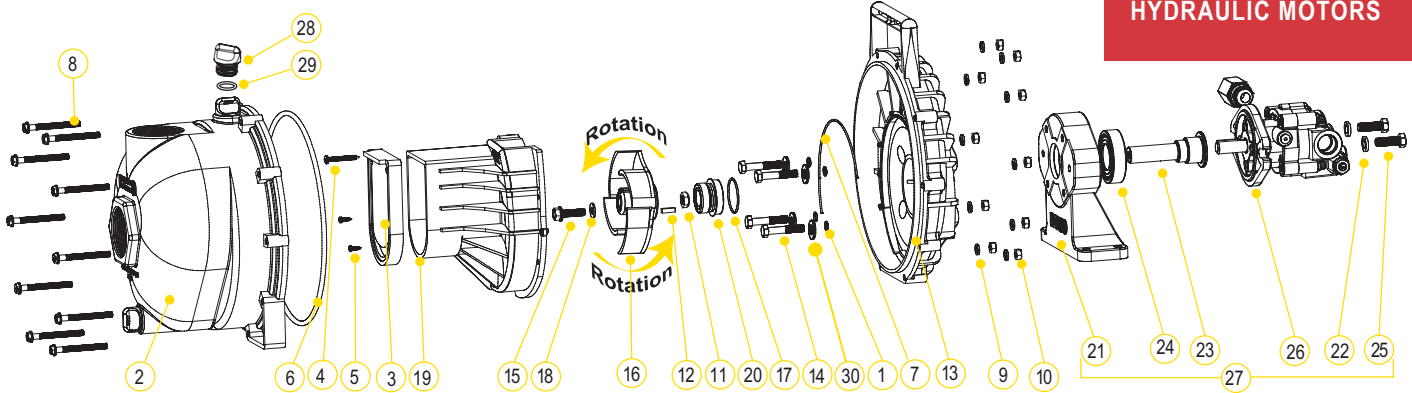


### HYDRAULIC MOTOR SPOOL VALVE

PART NO	DESCRIPTION	HP	QTY
HSV1000	HYDRAULIC MOTOR SPOOL VALVE	N/A	1

# CENTRIFUGAL PUMPS

## 3" POLY PUMPS WITH HYDRAULIC MOTORS



### REPLACEMENT PARTS 3" POLY PUMPS

ITEM	PART NO	DESCRIPTION	QTY
1	12717	O-RING FOR SCREW HEADS	4
2	13712	BODY ASSEMBLY	1
3	12705	CHECK VALVE	1
4	12900	SS UPPER VOLUTE SCREW	4
5	12725	SS VOLUTE SCREWS	2
6	12719A	BODY O-RING	1
7	12754	O-RING SEGMENT	1
8	12720	SS BODY SCREWS	10
9	V07018	SS LOCK WASHERS	10
10	V07019	SS BODY NUTS	10
11	12775A	IMPELLER HEX NUT	1
12	12902A	IMPELLER KEY	1
13	12703A	POLY PUMP REAR BRACKET	1
14	12715A	5/16"-24 X 1.75" HHCS	4
15	12765A	SS IMPELLER BOLT	1
16	13772	TRIMMED 4 VANE IMPELLER	1
17	12710	O-RING FOR SEAL ASSEMBLY	1
18	A204	O-RING	1
19	13702	POLY PUMP VOLUTE	1
20	12713	MECHANICAL SEAL ASSEMBLY	1
21	12049F	HYDRAULIC PEDESTAL HOUSING (MUST ORDER 17056E & 12055E)	1
22	V20018	3/8" LOCK WASHER	2
23	12055E	ADAPTER SHAFT	1
24	17056E	BEARING	1
25	18010SS	3/8" - 16 X 1 1/8" SS CAP SCREW HXHD	2
26	HY1013	HYDRAULIC MOTOR	1
27	12600B	COMPLETE HYDRAULIC ASSEMBLY	1
28	13777	3/4" PLUG	2
29	13778	O-RING	2
30	12901	SS REAR BRACKET WASHER (300PHY)	4
N/S	HY1003	HYDRAULIC MOTOR SEAL KIT	1
KIT	12000A	POLY PUMP EPDM REPAIR KIT (ITEMS 1, 3, 6, 7, 16, 18, 20, 29, 12099)	1
KIT	13999	PUMP SEAL/O-RING KIT (ITEMS 2,4,7-8,16,18,19, 21, 30, 12099)	1

### KITS 3" POLY PUMPS

PART NO	EPDM REPAIR KIT NO	EPDM SEAL KIT NO	HYDRAULIC MOTOR SEAL KIT
300PHY	12000A	13999	HY1003

### HYDRAULIC MOTOR DATA

U.S. GALLONS/REV.	0.0025
CUBIC INCHES/REV.	0.580
LITERS/REV.	0.0097
MAX HYDRAULIC PRESSURE	2000 PSI
MIN HYDRAULIC PRESSURE	200 PSI
INLET PORT	SAE 10 (7/8-14 UNF-2B)
OUTLET PORT	SAE 10 (7/8-14 UNF-2B)
MINIMUM GPM REQUIRED	6 GPM 2400 RPM
MAXIMUM GPM REQUIRED	10 GPM 4000 RPM
IDEAL GPM REQUIRED	9 GPM 3600 RPM

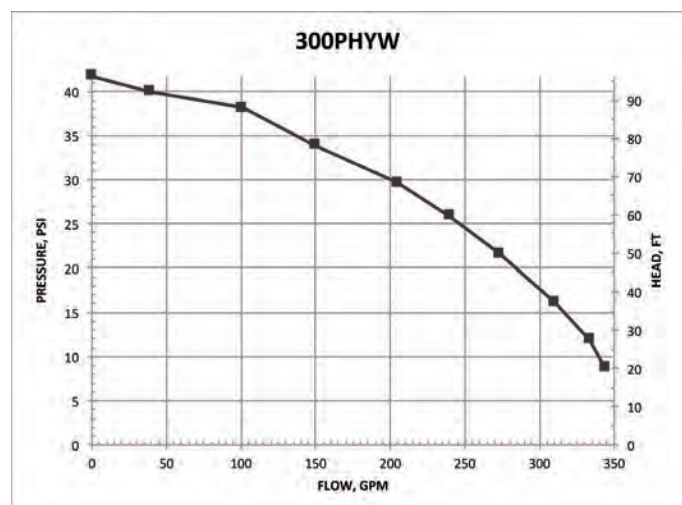
### CONNECTION INFORMATION

INLET	"A" PORT
OUTLET	"B" PORT

SUPPLIED CHECK VALVE IS TO ENSURE PROPER ROTATION OF THE BANJO PUMP. PLACE CHECK VALVE IN OUTLET PORT (MARKED "B") FOR PROPER RIGHT HAND ROTATION.

### SPOOL VALVE INFORMATION

REQUIRED OUTLET FLOW	MIN 6 GPM / MAX 10 GPM
REQUIRED SYSTEM PRESSURE	MIN 600 PSI / MAX 3000 PSI



# CENTRIFUGAL PUMPS

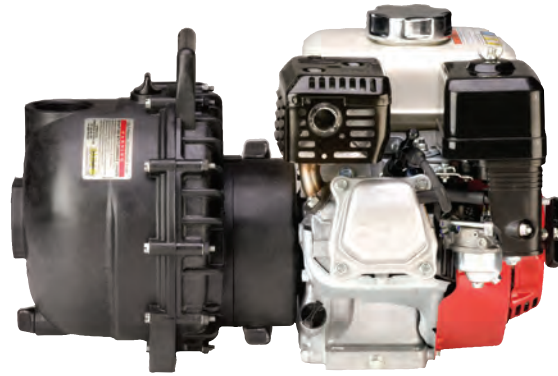
## 3" POLY WET SEAL PUMPS

### FEATURES

- Run dry capability
- Double seal contained in ethylene glycol reservoir. Carbon ceramic seal faces with stainless steel cup and spring with EPDM rubber.
- V-shaped for quicker priming
- Engine warranty service available at authorized Briggs & Stratton® and Honda® dealers
- Due to weight and size of pumps, Banjo ships these by truck only.



WARNING! DO NOT USE WITH FLAMMABLE LIQUIDS



### 3" POLY WET SEAL PUMPS W/GAS ENGINES

PART NO	DESCRIPTION	HP	QTY	SKID QTY
300PH6W	3" POLY WET SEAL PUMP W/6 HP HONDA® ENGINE	6	1	12
300P11PROW	3" POLY WET SEAL PUMP W/11 HP BRIGGS & STRATTON® ENGINE PRO SERIES W/ELECTRIC START & PULL ROPE	11	1	8
300PH13W	3" POLY WET SEAL PUMP W/13 HP HONDA® ENGINE W/ELECTRIC START & PULL ROPE	13	1	8



### 3" POLY WET SEAL BEARING PEDESTAL

PART NO	DESCRIPTION	HP	QTY	SKID QTY
300PBW	3" POLY WET SEAL BEARING PEDESTAL W/ 3/4" SHAFT & 4 VANE IMPELLER	N/A	1	27

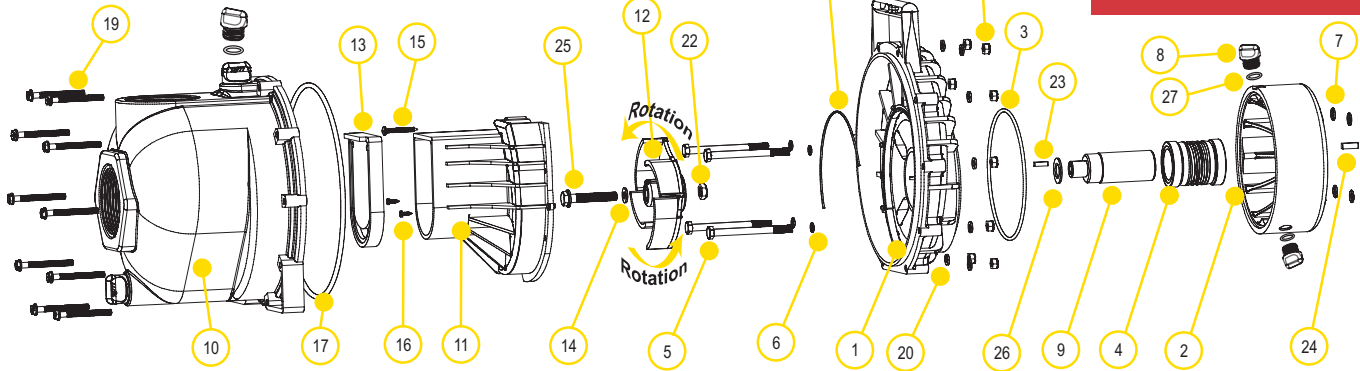


### 3" POLY WET SEAL PUMP ONLY

PART NO	DESCRIPTION	HP	QTY	SKID QTY
300POW	3" POLY WET SEAL PUMP ONLY FOR 1" SHAFT	N/A	1	27
300POW6	3" POLY WET SEAL PUMP ONLY FOR 3/4" SHAFT	N/A	1	27

# CENTRIFUGAL PUMPS

## 3" POLY WET SEAL PUMPS

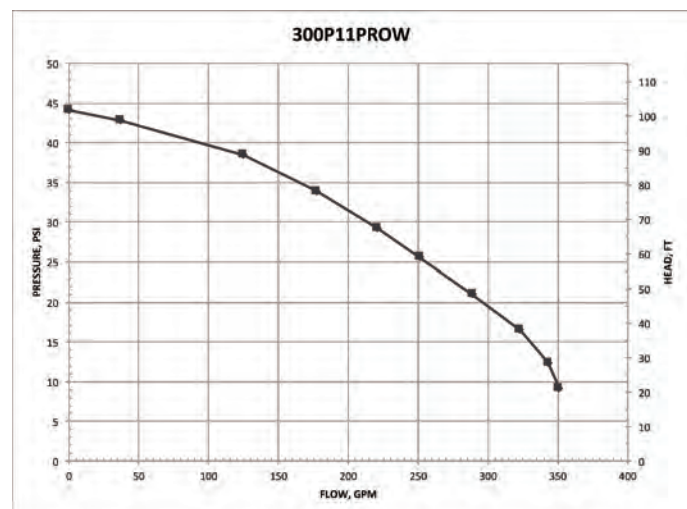


### REPLACEMENT PARTS 3" POLY PUMPS

ITEM	PART NO	DESCRIPTION	QTY
1	12703AW	WET SEAL REAR BRACKET	1
2	12201W	WET SEAL RESERVOIR	1
2	12202W	WET SEAL RESERVOIR (300POW6)	1
3	13719	O-RING	1
3	13719V	FKM O-RING (301POWV)	1
4	15035E	EPDM MECHANICAL SEAL ASSEMBLY	1
4	15035	MECHANICAL SEAL ASSEMBLY (301POWV)	1
5	13034	5/16" -24 X 3 3/4" HHCS	4
6	12717	O-RING FOR BRACKET SCREW	4
6	12717V	FKM O-RING FOR BRACKET SCREW (301POWV)	4
7	12709	O-RING	4
7	12709V	FKM O-RING (301POWV)	4
8	12777	1/2" PLUG	4
9	13055	ADAPTER SHAFT (300PH6W & 300PH13W)	1
9	N/A	ADAPTER SHAFT (300P11PROW & 301POWV)	1
9	12155	ADAPTER SHAFT (300PH6W)	1
10	13712	BODY ASSEMBLY	1
10	13712	FKM BODY ASSEMBLY (301POWV)	1
11	13702	VOLUTE	1
12	13772	4 VANE IMPELLER	1
12	13771	TRIMMED IMPELLER (300POW6)	1
13	12705	CHECK VALVE	1
13	12705V	FKM CHECK VALVE (301POWV)	1
14	A204	IMPELLER BOLT GASKET	1
14	A204V	FKM IMPELLER BOLT GASKET (301POWV)	1
15	12900	#10 X 1 1/2" PPH SMS	1
16	12725	#6 X 1 1/2" PPH SMS	2
17	13719	BODY O-RING	1
17	13719V	FKM BODY O-RING (301POWV)	1
18	12754	O-RING SEGMENT	1
18	12754V	FKM O-RING SEGMENT (301POWV)	1
19	12720	1/4" - 20 X 2 1/2" SL IND HWHS	10
20	V07018	1/4" LOCK WASHER	10
21	V07019	1/4" - 20 HEX NUT	10
22	12775A	7/16" - 14 HEX NUT	1
23	12902A	3/16" SQ. X 5/8" KEY	2
24	16901	1/4" SQUARE KEY	1
25	13766	3/8-24 X 2 1/4" HFS	1

### REPLACEMENT PARTS 3" POLY PUMPS

ITEM	PART NO	DESCRIPTION	QTY
26	CV10175	GASKET	1
26	CV10175V	FKM GASKET (301POWV)	1
27	UV15163	O-RING FOR DRAIN PLUG	4
27	UV15163V	FKM O-RING FOR DRAIN PLUG (301POWV)	4



# CENTRIFUGAL PUMPS

## 3" POLY MANIFOLD WET SEAL PUMPS

### FEATURES

- Run dry capability
- Double seal contained in ethylene glycol reservoir. Carbon ceramic seal faces with stainless steel cup and spring with EPDM rubber
- Pump end separated from engine
- V-shaped for quicker priming
- Engine warranty service available at authorized dealers
- See pages 41-47 on manifold fittings for easy plumbing.



### 3" POLY MANIFOLD WET SEAL PUMPS W/GAS ENGINES

PART NO	DESCRIPTION	HP	QTY	SKID QTY
M300PH6W	3" POLY MANIFOLD WET SEAL PUMP W/6 HP HONDA® ENGINE	6	1	12



### 3" POLY MANIFOLD WET SEAL PUMP ONLYS

PART NO	DESCRIPTION	HP	QTY	SKID QTY
M300POW6	3" POLY MANIFOLD WET SEAL PUMP ONLY FOR 3/4" SHAFT	N/A	1	27



### 3" POLY MANIFOLD WET SEAL PUMP W/HYDRAULIC

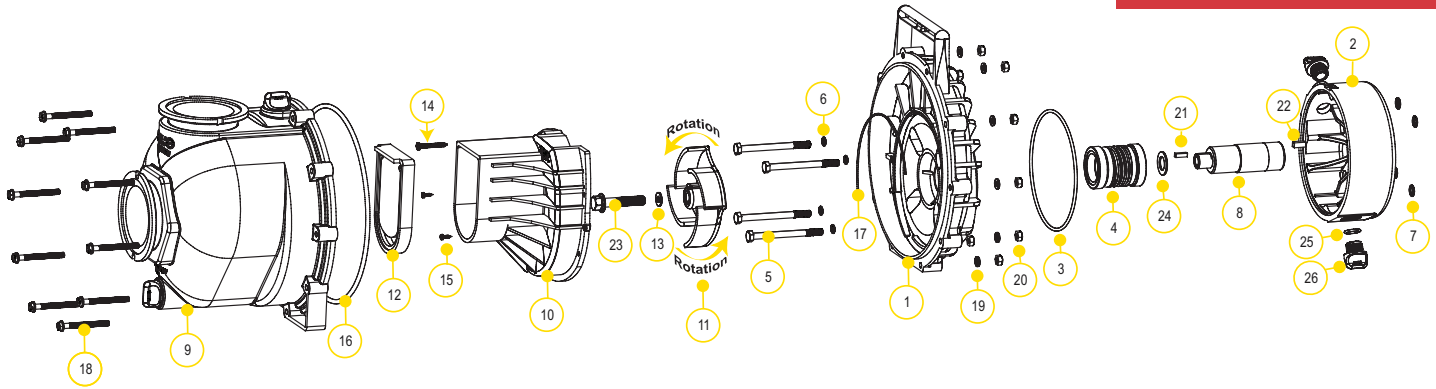
PART NO	DESCRIPTION	HP	QTY	SKID QTY
M305PHYW	3" POLY MANIFOLD WET SEAL PUMP W/HYDRAULIC MOTOR	N/A	1	12



WARNING! DO NOT USE WITH FLAMMABLE LIQUIDS

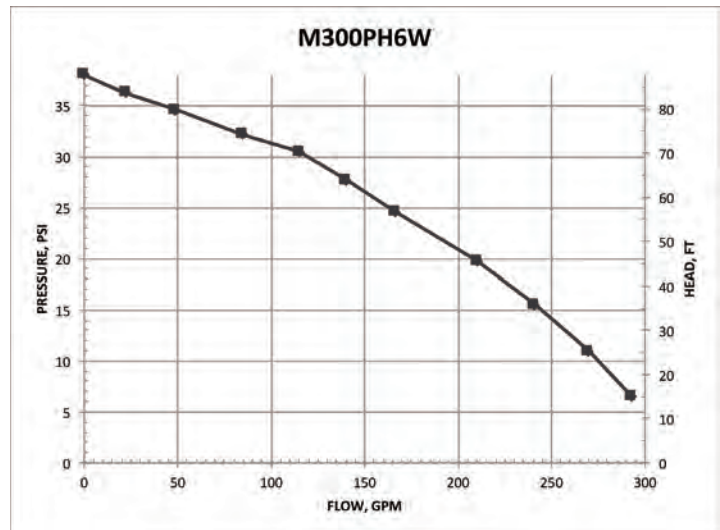
# CENTRIFUGAL PUMPS

## 3" POLY MANIFOLD WET SEAL PUMPS



### REPLACEMENT PARTS 3" POLY PUMPS

ITEM	PART NO	DESCRIPTION	QTY
1	12707W	WET SEAL REAR BRACKET FOR 6 HP HONDA® ENGINE & BEARING PEDESTAL	1
2	12202W	WET SEAL RESERVOIR FOR 6 HP HONDA® ENGINE & BEARING PEDESTAL	1
3	13719	O-RING	1
4	15035E	MECHANICAL SEAL ASSEMBLY EPDM	1
5	13034	5/16" - 24 X 3 3/4" HHCS	4
6	12717	O-RING FOR BRACKET SCREW	4
7	12709	O-RING	4
8	12155	ADAPTER SHAFT FOR 6 HP HONDA® ENGINE & BEARING PEDESTAL	1
9	M13712	MANIFOLD BODY ASSEMBLY	1
10	13702	VOLUTE	1
11	13772	4 VANE IMPELLER	1
12	12705	CHECK VALVE	1
13	A204	O-RING	1
14	12900	#10 X 1 1/2" PPH SMS 18-8 SS	1
15	12725	#6 X 1/2" PPH SMS 18-8 SS	1
16	12719A	BODY O-RING	1
17	12754	O-RING SEGMENT	1
18	12720	1/4" - 20 X 2 1/2" SL IND HWHS	10
19	V07018	1/4" LOCK WASHER	10
20	V07019	1/4" - 20 HEX NUT	10
21	12902A	3/16" SQ. X 3/8" KEY	1
22	16901	1/4" SQ. 3/4" KEY STOCK	1
23	12766	5/16"-24 X 3 3/4" HFS FOR 6 HP HONDA® ENGINE & BEARING PEDESTAL	1
24	CV10175	GASKET	1
25	UV15163	O-RING	2
26	12777	1/2" PLUG	2



# CENTRIFUGAL PUMPS

## 3" POLY M350 MANIFOLD WET SEAL PUMPS

### FEATURES

- 500+ Gallons per Minute
- Polymer components molded from polypropylene
- EPDM seals
- All stainless steel hardware
- Tandem wet seal design
- Produces less wear
- Prevents seal breakage from high pressure clean out
- Eliminates eight leak points
- Works with natural system pressure to keep seal intact
- No exposed moving parts
- Typical operating speed: 3600 RPM
- Run dry capability of greater than one hour.
- Capable of handling occasional solid particles in suspension up to 1/2" in diameter.
- Maximum self-priming height 25 ft (7.6 m) for hydraulic version
- (0.422" priming hole); 28 ft (8.5 m) for standard version (0.250" priming hole)
- Engine warranty service available at authorized dealers
- See pages 41-47 on manifold fittings for easy plumbing.

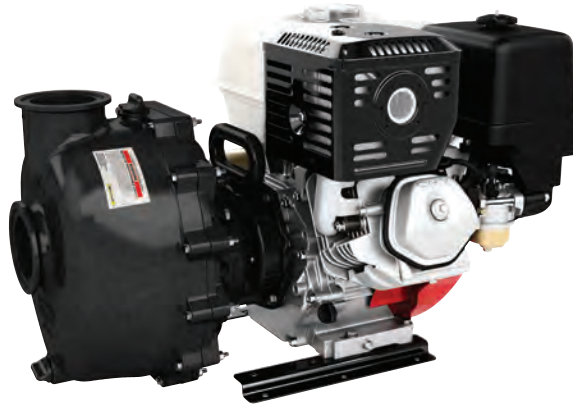


WARNING! DO NOT USE WITH FLAMMABLE LIQUIDS



### 3" POLY MANIFOLD WET SEAL PUMPS W/GAS ENGINES

PART NO	DESCRIPTION	HP	QTY	SKID QTY
M350PVAN14W	3" POLY MANIFOLD WET SEAL PUMP W/14 HP VANGUARD® ENGINE	14	1	6



### 3" POLY MANIFOLD WET SEAL PUMPS W/GAS ENGINES

PART NO	DESCRIPTION	HP	QTY	SKID QTY
M350PH13W	3" POLY MANIFOLD WET SEAL PUMP W/13 HP HONDA® ENGINE	13	1	6



### 3" POLY MANIFOLD WET SEAL PUMP W/ELECTRIC MOTOR

PART NO	DESCRIPTION	HP	QTY	SKID QTY
M350PE15W	3" POLY MANIFOLD WET SEAL PUMP W/15 HP ELECTRIC MOTOR	N/A	1	1



# CENTRIFUGAL PUMPS

## 3" POLY M350 MANIFOLD WET SEAL PUMPS



### 3" POLY MANIFOLD WET SEAL PUMP ONLYS

PART NO	DESCRIPTION	HP	QTY	SKID QTY
M350POW	3" POLY MANIFOLD WET SEAL PUMP ONLY FOR 1" SHAFT GAS ENGINES	N/A	1	27
M350PEOW	3" POLY MANIFOLD WET SEAL PUMP ONLY FOR ELECTRIC MOTOR	N/A	1	27



### 3" POLY MANIFOLD WET SEAL PUMP W/HYDRAULIC

PART NO	DESCRIPTION	HP	QTY	SKID QTY
M350PHYW	3" POLY MANIFOLD WET SEAL PUMP W/HYDRAULIC MOTOR	N/A	1	12



### 3" POLY MANIFOLD WET SEAL PUMP W/HYDRAULIC

PART NO	DESCRIPTION	HP	QTY	SKID QTY
M350PHAW	3" POLY MANIFOLD WET SEAL PUMP W/HYDRAULIC PEDESTAL (NO MOTOR)	N/A	1	12



### 3" POLY WET SEAL BEARING PEDESTAL

PART NO	DESCRIPTION	HP	QTY	SKID QTY
M350PBW	3" POLY WET SEAL BEARING PEDESTAL W/ 1" SHAFT & 4 VANE IMPELLER	N/A	1	12



### 4" PLUMBING FITTINGS

PART NO	DESCRIPTION	LOT QTY
M300400A	3" Manifold x 4" Male Coupler	1
M300400BRB	3" Manifold x 4" Hose Barb	1

# CENTRIFUGAL PUMPS

## 1½" - 2" CAST IRON PUMPS

### FEATURES

- Cast iron construction for rugged dependable service
- Stainless steel shaft sleeve to protect engine shaft
- Carbon ceramic seal with stainless steel cup and spring with FKM rubber
- Replaceable inlet and outlet flanges
- Dynamically balanced impeller
- Pump only packs complete and ready for attachment to gasoline engine
- Pedestal pump for long coupling to electric motor
- Recommendation for 5/8" shaft: 56C frame size, 3 HP, 3450 RPM & 5" max impeller for close coupling to electric motors
- Recommendation for 7/8" shaft: 145TC frame size, 3 HP, 3450 RPM & 5" max impeller for close coupling to electric motors
- Engine warranty service available at authorized dealers



### 2" CAST IRON PUMP W/GAS ENGINES

PART NO	DESCRIPTION	HP	QTY	SKID QTY
200PI-3	2" CAST IRON PUMP W/3.5 HP BRIGGS & STRATTON® ENGINE	3.5	1	8
200PI6PRO	2" CAST IRON PUMP W/6.5 HP BRIGGS & STRATTON® ENGINE PRO SERIES	6.5	1	8
200PIH-5	2" CAST IRON PUMP W/5.5 HP HONDA® ENGINE	5.5	1	8
200PIH5E	2" CAST IRON PUMP W/5.5 HP HONDA® ENGINE W/ ELECTRIC START	5.5	1	8



### 2" CAST IRON PUMP ONLY

PART NO	DESCRIPTION	HP	QTY	SKID QTY
200POI	2" CAST IRON PUMP ONLY W/ ¾" SHAFT SLEEVE	N/A	1	27



### 1½" CAST IRON C-FLANGE PUMPS

PART NO	DESCRIPTION	HP	QTY	SKID QTY
150POICF5/8-4.1	1½" CAST IRON C-FLANGE PUMP W/ 5/8" SHAFT SLEEVE & 4.1 IMPELLER	N/A	1	18

### 2" CAST IRON C-FLANGE PUMPS

PART NO	DESCRIPTION	HP	QTY	SKID QTY
200POICF5/8	2" CAST IRON C-FLANGE PUMP W/ 5/8" SHAFT SLEEVE	N/A	1	18
200POICF7/8	2" CAST IRON C-FLANGE PUMP W/ 7/8" SHAFT SLEEVE	N/A	1	18



### 2" CAST IRON BEARING PEDESTAL

PART NO	DESCRIPTION	HP	QTY	SKID QTY
200PBI	2" CAST IRON BEARING PEDESTAL W/ ¾" STRAIGHT SHAFT	N/A	1	18



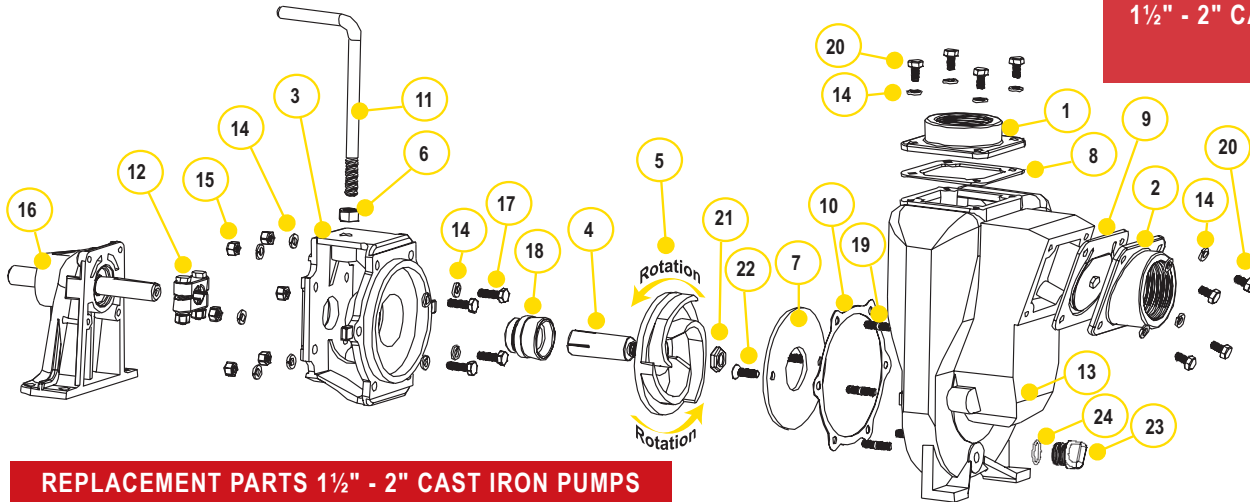
WARNING! DO NOT RUN PUMP DRY, RESTRICT OR REDUCE PORT SIZES OR DEAD HEAD PUMP



WARNING! DO NOT USE WITH FLAMMABLE LIQUIDS

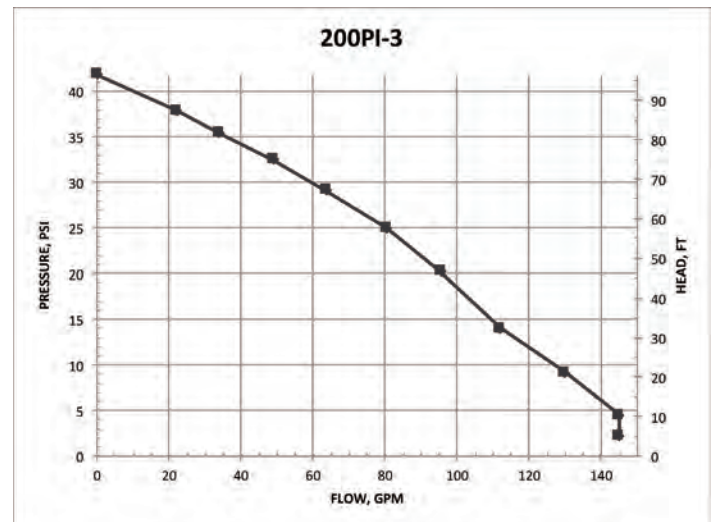
# CENTRIFUGAL PUMPS

1½" - 2" CAST IRON PUMPS



## REPLACEMENT PARTS 1½" - 2" CAST IRON PUMPS

ITEM	PART NO	DESCRIPTION	QTY
1	17001	1½" NPT OUTLET FLANGE	1
1	17000	2" NPT OUTLET FLANGE	1
2	17003	1½" NPT INLET FLANGE	1
2	17002	2" NPT INLET FLANGE	1
3	17004	ADAPTER FOR GAS ENGINE	1
3	17046	C-FACE ADAPTER	1
4	17005	5/8" SLEEVE DRIVE FOR ELECTRIC MOTOR	1
4*	17006	¾" SLEEVE DRIVE	1
4	17007	7/8" SLEEVE DRIVE FOR ELECTRIC MOTOR	1
5*	17008	5" IMPELLER	1
5	17008-4.1	4.1" TRIMMED IMPELLER	1
6	17010	½" HEX NUT	1
7*	17011	WEAR PLATE	1
8	17013	EPDM GASKET	1
9	17016	CHECK VALVE ASSEMBLY	1
10*	17018	GASKET ADAPTER	1
11	15022	HANDLE	1
12	17023	5/8" CLAMP FOR ¾" SHAFT ASSEMBLY (OLD STYLE)	1
12	17123	5/8" CLAMP FOR ¾" SHAFT ASSEMBLY (KEYED)	1
12	17024	7/8" CLAMP FOR SHAFT ASSEMBLY	1
13	17026	PUMP HOUSING	1
14	V10118	5/16" LOCK WASHER	18
15	V10119	5/16" - 18 SS HEX NUT	6
N/S	12883B	BEARINGS	1
16	12882A	COMPLETE PEDESTAL ASSEMBLY	2
17	17040	5/16" -24 X 1.00" CAP SCREW	1
18	17028	EPDM SEAL ASSEMBLY	4
18*	17035	FKM SEAL ASSEMBLY	1
18	17035SD	SEVERE DUTY SEAL	1
19	17042	STUD	6
20	17019	5/16"-18 X ¾" CAP SCREW	8
21	17009B	5/8" IMPELLER NUT	1
22	17130	5/16-18 X 1.00" FHSCS, 18-8 SS	2
23	12777	½" PLUG	1
24	UV15163	O-RING	1
N/S	17033	Z RAILS (PAIR)	1
N/S	17100	REPAIR KIT (CONSISTS OF ITEMS 4*, 5*, 7,10,18*)	1



# CENTRIFUGAL PUMPS

## 2" CAST IRON WET SEAL PUMPS

### FEATURES

- Cast iron construction for rugged dependable service
- Stainless steel hardware
- FKM double seal contained in glycol reservoir
- Replaceable inlet and outlet flanges
- Dynamically balanced impeller
- Pump only packs complete and ready for attachment to gasoline engine
- Pedestal pump for long coupling to electric motor
- Due to weight and size of pumps, Banjo ships these by truck only.



### 2" CAST IRON WET SEAL PUMPS W/GAS ENGINES

PART NO	DESCRIPTION	HP	QTY	SKID QTY
201PIH5W	2" CAST IRON WET SEAL PUMP W/5.5 HP HONDA® ENGINE	5.5	1	8



### 2" CAST IRON WET SEAL PUMP ONLY

PART NO	DESCRIPTION	HP	QTY	SKID QTY
201POIW	2" CAST IRON WET SEAL PUMP ONLY	N/A	1	18



WARNING! DO NOT RUN PUMP DRY, RESTRICT OR REDUCE PORT SIZES OR DEAD HEAD PUMP



WARNING! DO NOT USE WITH FLAMMABLE LIQUIDS

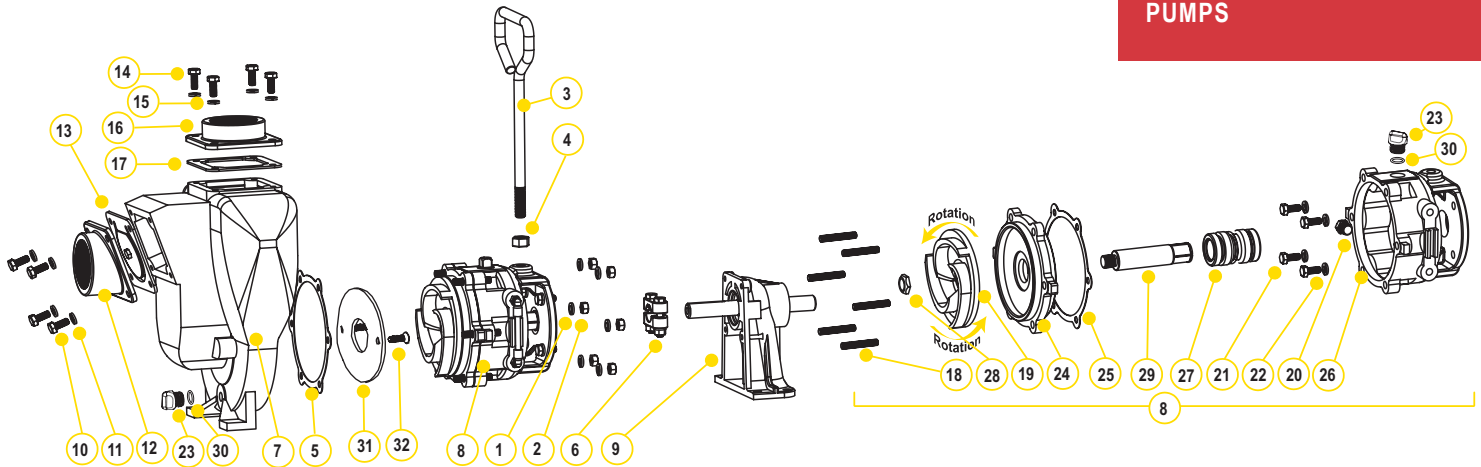


### 2" CAST IRON WET SEAL PUMP BEARING PEDESTAL

PART NO	DESCRIPTION	HP	QTY	SKID QTY
201PBIW	2" CAST IRON WET SEAL PUMP WITH BEARING PEDESTAL	N/A	1	18

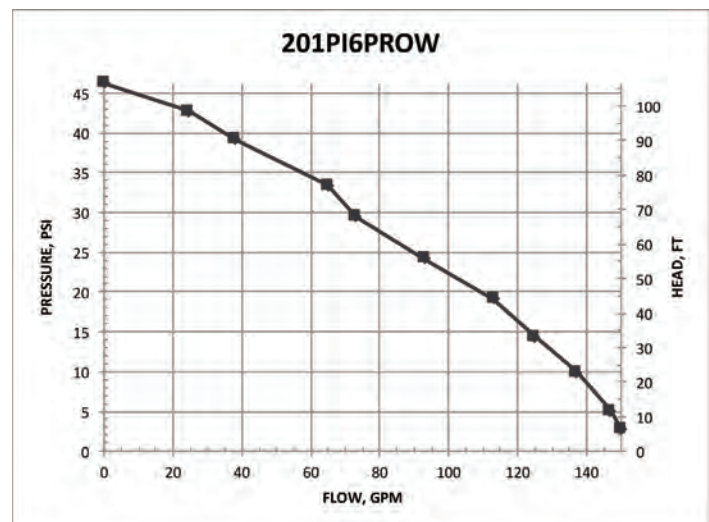
# CENTRIFUGAL PUMPS

## 2" CAST IRON WET SEAL PUMPS



### REPLACEMENT PARTS 2" CAST IRON PUMPS

ITEM	PART NO	DESCRIPTION	QTY
1	V10118	5/16" LOCK WASHER	6
2	V10119	5/16" -18 HEX NUT	6
3	15022	HANDLE	1
4	17010	1/2" HEX NUT	1
5	17018	GASKET ADAPTER	1
6	17123	5/8" CLAMP, 3/4" SHAFT ASSEMBLY KEYED	1
7	17226	PUMP HOUSING	1
8	N/A	WET SEAL ASSEMBLY	1
9	12882A	BEARING PEDESTAL	1
10	17019	5/16"-18 X 3/4" HHCS	4
11	V10118	5/16" LOCK WASHER	4
12	17002	2" NPT INLET FLANGE	1
13	17016	EPDM CHECK VALVE GASKET ASSEMBLY	1
14	17019	5/16" -18 X 3/4" HHCS	4
15	V10118	5/16" LOCK WASHER	4
16	17000	2" NPT OUTLET FLANGE	1
17	17013	EPDM OUTLET GASKET	1
18	17242	HOUSING STUD	6
19	17208	IMPELLER	1
20	17032	PIPE PLUG	1
21	17019	5/16"-18 X 3/4" CAP SCREW	4
22	V10118	5/16" LOCK WASHER	4
23	12777	1/2" PLUG	2
24	17202	COVER PLATE	1
25	17018	GASKET ADAPTER	1
26	17201A	RESERVOIR	1
27	17235	FKM MECHANICAL SEAL ASSEMBLY	1
28	17009B	5/8" IMPELLER NUT	1
29	17206A	ADAPTER SHAFT	1
30	UV15163	O-RING	2
31	17011	Wear Plate	1
32	17130	5/16-18 X 1.00" FHSCS, 18-8 SS	1



# CENTRIFUGAL PUMPS

## 2" CAST IRON PUMPS WITH ELECTRIC MOTORS

### FEATURES

- Cast iron construction for rugged dependable service
- Stainless steel shaft sleeve to protect engine shaft
- Carbon ceramic seal with stainless steel cup and spring with FKM rubber
- Replaceable inlet and outlet flanges
- Dynamically balanced impeller
- Pump only packs complete and ready for attachment to gasoline engine
- Due to weight and size of pumps, Banjo ships these by truck only.
- Motor warranty service available at authorized dealers
- Motor features include pressure cast aluminum end plates with ribbed design for rigidity, heavy gauge steel frame, 230 volt, with inverter spike resistance magnet wire



### 2" CAST IRON PUMPS W/ELECTRIC MOTORS

PART NO	DESCRIPTION	HP	QTY	SKID QTY
234PIE5	2" CAST IRON PUMP W/5 HP THREE PHASE ELECTRIC MOTOR	5	1	3
234PIE51	2" CAST IRON PUMP W/5 HP SINGLE PHASE ELECTRIC MOTOR	5	1	3

### 2" CAST IRON PUMP ONLY

PART NO	DESCRIPTION	HP	QTY	SKID QTY
234POI	2" CAST IRON PUMP ONLY W 184TC FRAME ADAPTER	N/A	1	18



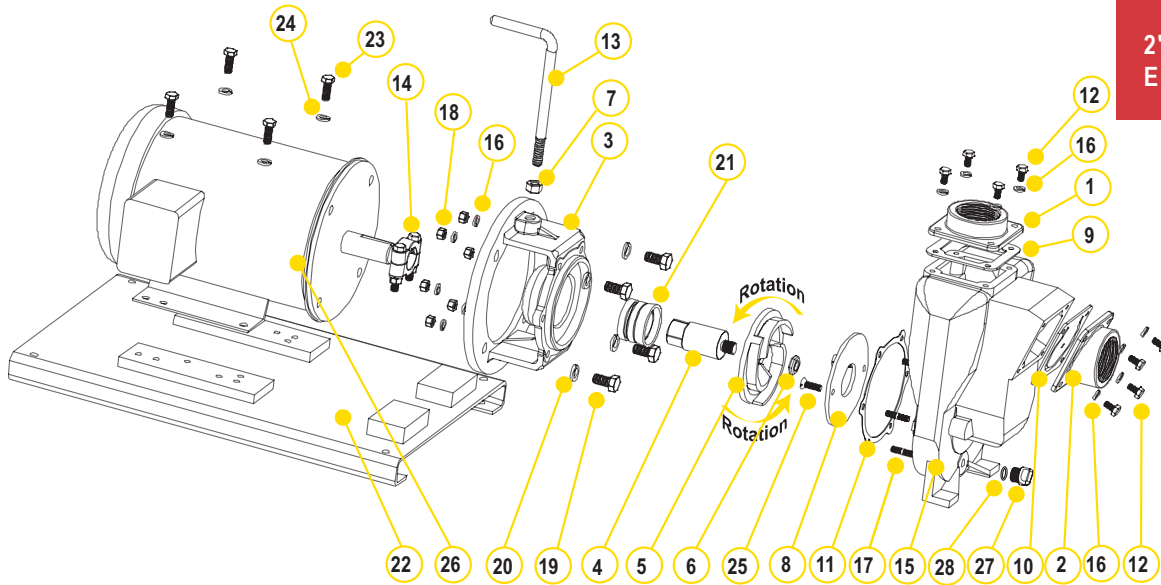
WARNING! DO NOT RUN PUMP DRY, RESTRICT OR REDUCE PORT SIZES OR DEAD HEAD PUMP



WARNING! DO NOT USE WITH FLAMMABLE LIQUIDS

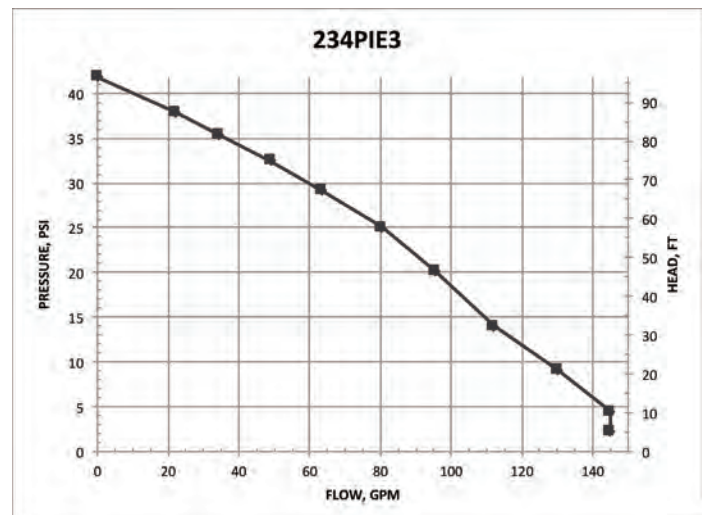
# CENTRIFUGAL PUMPS

2" CAST IRON PUMPS WITH ELECTRIC MOTORS



## REPLACEMENT PARTS 2" CAST IRON PUMPS

ITEM	PART NO	DESCRIPTION	QTY
1	17000	2" NPT OUTLET FLANGE	1
2	17002	2" NPT INLET FLANGE	1
3	17046	C-FACE ADAPTER (234PIE3)	1
3	17446	C-FACE ADAPTER	1
4	17007	IMPELLER SHAFT (234PIE3)	1
4	17406	IMPELLER SHAFT	1
5	17008	IMPELLER (234PIE3)	1
5	17408	IMPELLER	1
6	17009B	5/8" IMPELLER NUT	1
7	17010	1/2" HEX NUT	1
8	17011	WEAR PLATE	1
9	17013	OUTLET GASKET	1
10	17016	GASKET & CHECK VALVE	1
11	17018	GASKET ADAPTER	1
12	17019	BOLT	8
13	15022	HANDLE	1
14	17024	CLAMP ASSEMBLY W/KEY (234PIE3)	1
14	18129	CLAMP ASSEMBLY W/KEY	1
15	17026	PUMP HOUSING	1
16	V10118	5/16" LOCK WASHER	20
17	17042	HOUSING STUD	6
18	V10119	HEX NUT	8
19	N/A	BOLT	4
20	N/A	WASHER	4
21	17035	SEAL ASSEMBLY (234PIE3)	1
21	18025	SEAL ASSEMBLY	1
22	17701	BASE PLATE ASSEMBLY	1
23	17704	BOLT	4
24	V20018	3/8" LOCK WASHER	4
25	17130	5/16-18 X 1.00" FHSCS, 18-8 SS	2
26	N/A	ELECTRIC MOTOR	1
27	12777	1/2" PLUG	1
28	UV15163	O-RING FOR DRAIN PLUG	1



# CENTRIFUGAL PUMPS

## 2" CAST IRON PUMPS WITH HYDRAULIC MOTORS

### FEATURES

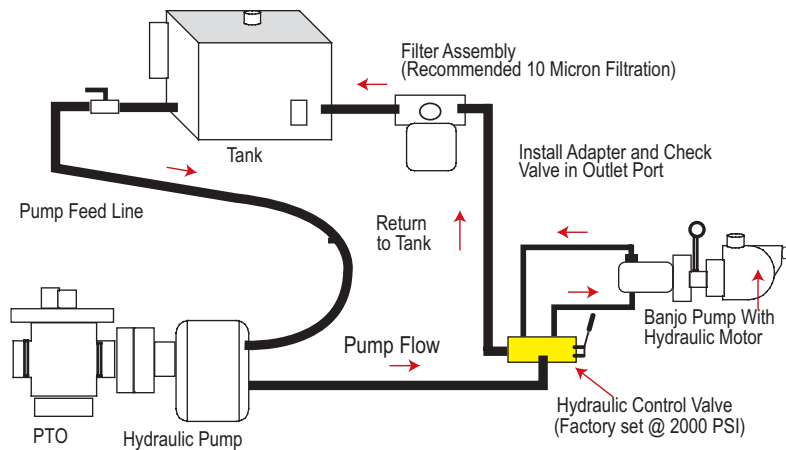
- Cast iron construction for rugged dependable service
- Stainless steel hardware
- Replaceable inlet and outlet flanges
- Dynamically balanced impeller
- Hydraulic fluid capacity is minimum 6 gallons and maximum 10 gallons
- Open or closed system
- 12 HP motor
- Recommendation to use the motor spool control valve or a suitable equivalent. The lack of such a valve in this circuit may cause failure to the hydraulic motor.



### 2" CAST IRON PUMPS WITH HYDRAULIC MOTOR

PART NO	DESCRIPTION	HP	QTY	SKID QTY
200PIHY	2" CAST IRON PUMP ONLY WITH HYDRAULIC MOTOR	12	1	18

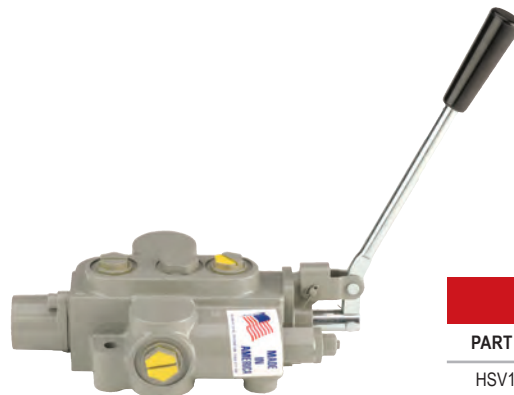
### SPOOL VALVE ASSEMBLY DIAGRAM



**WARNING! DO NOT RUN PUMP DRY, RESTRICT OR REDUCE PORT SIZES OR DEAD HEAD PUMP**



**WARNING! DO NOT USE WITH FLAMMABLE LIQUIDS**



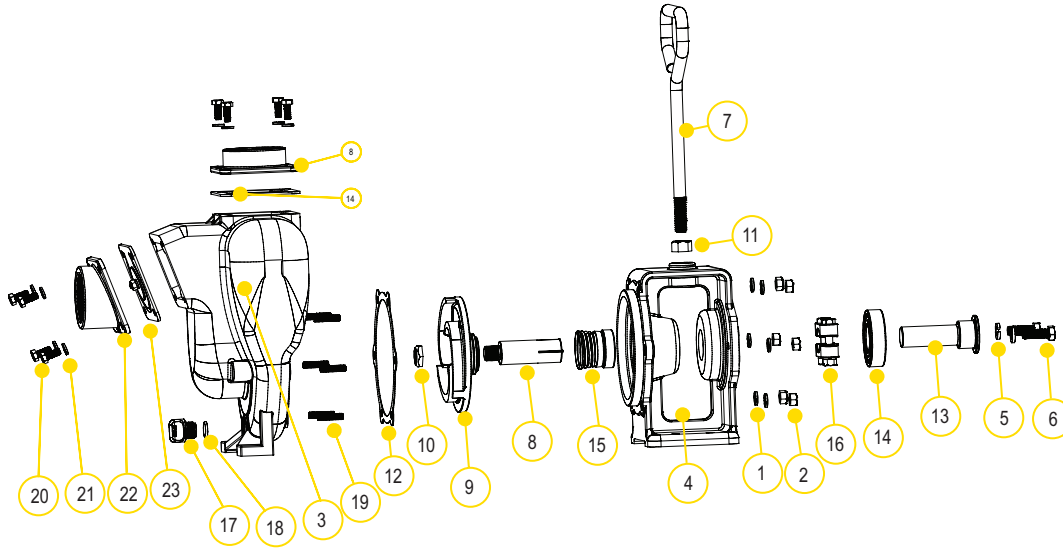
### HYDRAULIC MOTOR SPOOL VALVE

PART NO	DESCRIPTION	HP	QTY
HSV1000	HYDRAULIC MOTOR SPOOL VALVE	N/A	1



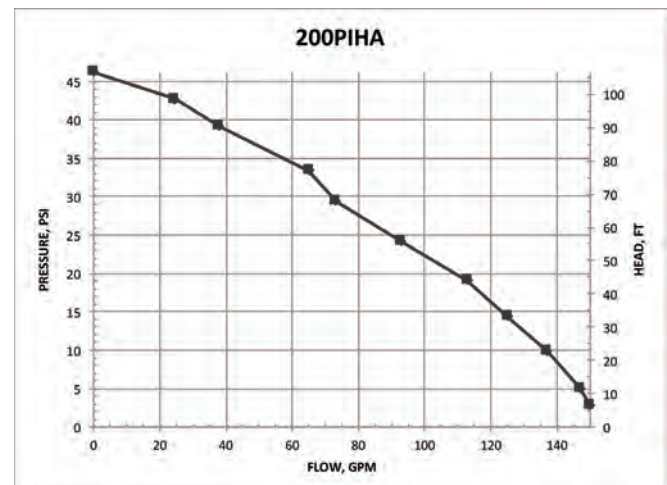
# CENTRIFUGAL PUMPS

2" CAST IRON PUMPS WITH HYDRAULIC MOTORS



## REPLACEMENT PARTS 2" CAST IRON PUMPS

ITEM	PART NO	DESCRIPTION	QTY
1	V10118	5/16" SPLIT LOCK WASHER	6
2	V10119	5/16"-18 HEX NUT	6
3	17026	PUMP HOUSING	1
4	17049A	HYDRAULIC ADAPTER	1
5	V20018	3/8" LOCK WASHER	2
6	18010SS	3/8"-16 X 1.25" HHCS	2
7	15022	HANDLE	1
8	17007	7/8" SLEEVE DRIVE FOR HYDRAULIC MOTOR	1
9	17008	5" IMPELLER	1
10	17009B	5/8" IMPELLER NUT	1
11	17010	1/2" HEX NUT - 13UNF-RH	1
12	17018	GASKET ADAPTER	1
13	17055A	HYDRAULIC ADAPTER SHAFT	1
14	17056	SKF 6206-2RS1 BEARING	1
15	17035	FKM SEAL ASSEMBLY	1
16	17024	7/8" CLAMP, NO KEY	1
17	12777	1/2" PLUG	1
18	UV15163	O-RING	1



# CENTRIFUGAL PUMPS

## 2" 222 SERIES CAST IRON PUMPS

### FEATURES

- Cast iron construction for rugged dependable service
- Carbon ceramic seal with stainless steel cup and spring with FKM rubber
- Replaceable inlet and outlet flanges
- Dynamically balanced impeller
- Heavy duty slinger seal on motor shaft
- Large weep holes between pump end and engine
- Pump only packs complete and ready for attachment to gasoline engine
- Pedestal pump for long coupling to electric motor
- Recommendation for 3/4" shaft: 5 HP, 3600 RPM
- Due to weight and size of pumps, Banjo ships these by truck only.
- Engine warranty service available at authorized dealers

POWERED by  
**HONDA**



### 222 SERIES CAST IRON PUMPS W/GAS ENGINES

PART NO	DESCRIPTION	HP	QTY	SKID QTY
222PIH5	2" CAST IRON PUMP W/5.5 HP HONDA® ENGINE	5.5	1	8
222PIH6	2" CAST IRON PUMP W/6.5 HP HONDA® ENGINE	6.5	1	8
222PIH5E	2" CAST IRON PUMP W/5.5 HP HONDA® ENGINE W/ ELECTRIC START	5.5	1	8
222PI6PRO	2" CAST IRON PUMP W/6.5 HP BRIGGS & STRATTON® ENGINE PRO SERIES	6.5	1	8



### 222 SERIES CAST IRON PUMP ONLYS

PART NO	DESCRIPTION	HP	QTY	SKID QTY
222POI	2" CAST IRON PUMP ONLY W/ FULL IMPELLER	N/A	1	18



### 222 SERIES CAST IRON BEARING PEDESTAL

PART NO	DESCRIPTION	HP	QTY	SKID QTY
222PBI	2" CAST IRON BEARING PEDESTAL W/ 3/4" STRAIGHT KEYED SHAFT	N/A	1	18



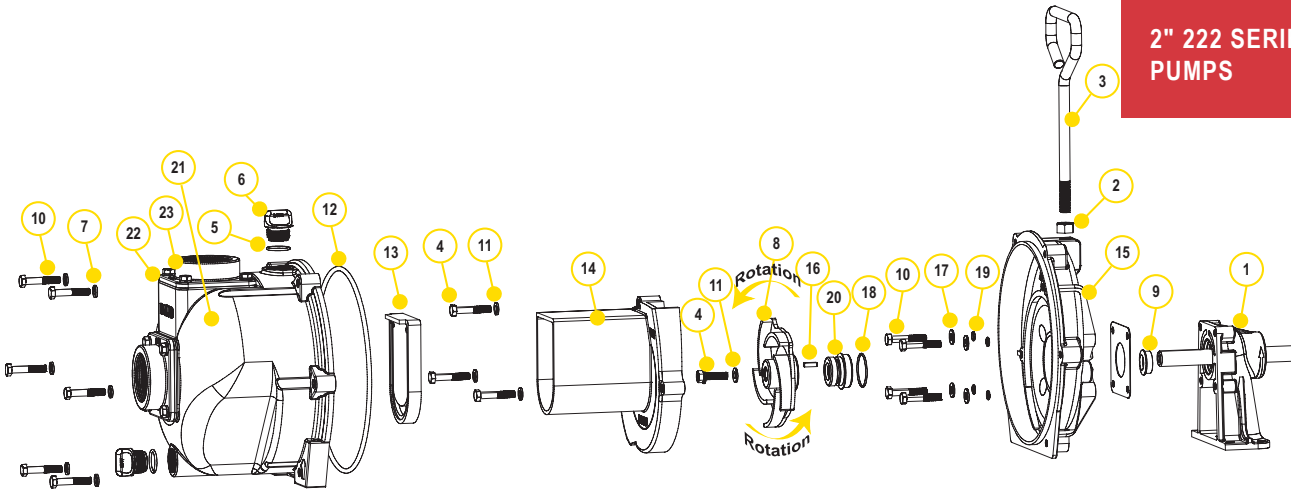
WARNING! DO NOT RUN PUMP DRY, RESTRICT OR REDUCE PORT SIZES OR DEAD HEAD PUMP



WARNING! DO NOT USE WITH FLAMMABLE LIQUIDS

# CENTRIFUGAL PUMPS

## 2" 222 SERIES CAST IRON PUMPS

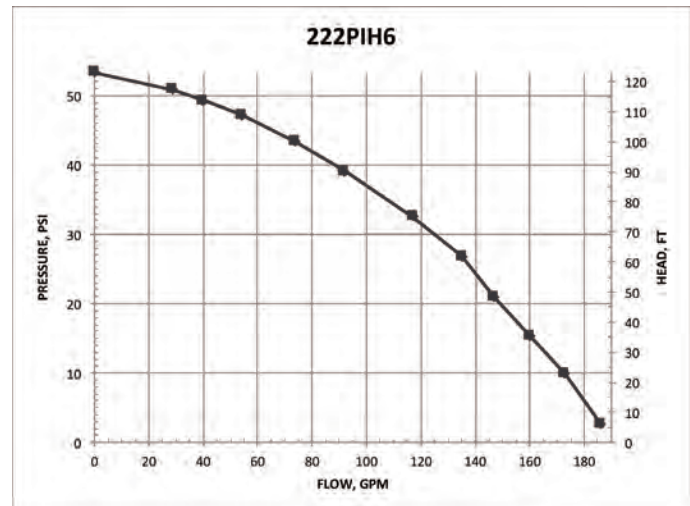


### REPLACEMENT PARTS 2" CAST IRON PUMPS

ITEM	PART NO	DESCRIPTION	QTY
1	12882A	BEARING PEDESTAL ASSEMBLY	1
1	12600B	HYDRAULIC PEDESTAL ASSEMBLY	1
2	17010	1/2" JAM NUT	1
3	15022	HANDLE	1
4	12765A	5/16" - 24 X 1.12 IMPELLER BOLT	1
5	13778	O-RING	2
6	13777	3/4" PLUG	2
7	V10118	5/16" LOCK WASHER	9
8	15772	5 VANE IMPELLER	1
9	12716	PUMP SLINGER	1
10	12715A	5/16" - 24 X 1.75 HHCS	13
11	A204	O-RING	1
12	12719A	BODY O-RING	1
13	12705	CHECK VALVE	1
14	15702	VOLUTE	1
15	15703	REAR BRACKET	1
16	12902A	3/16" SQ X 5/8" KEY	1
17	12901	5/16" FLAT WASHER	4
18	12710	O-RING	1
19	12717	O-RING	4
20	12713V	SEAL ASSEMBLY	1
20	N/A	SEVERE DUTY SEAL	1
21	15712	BODY	1
22	17013	FLANGE GASKET	2
23	17000	2" NPT THREADED FLANGE	2
24	17019	5/16" - 18 X 0.75 HHCS	8
25	V10118	5/16" LOCK WASHER	8
N/S	12099	7/16"-14 X 1.25" HHCS	1
N/S	15751	BRACKET SHIM	1
N/S	15752	IMPELLER SHIM	1
N/S	17033	Z-RAILS	1 PAIR
N/S	N/A	5/16" - 18 X 1 3/4" ZINC PLATED	4
N/S	V10119	5/16" -18 HEX NUT	4
N/S	V10118	5/16" LOCK WASHER	4
N/S	15000	REPAIR KIT (ITEMS 5, 8, 11-12, 18-20, 12099, 15751 & 15752)	1
N/S	15000V	FKM REPAIR KIT	1
N/S	15999	SEAL KIT (ITEMS 5, 11-12, 18-20, 12099, 15751 & 15752)	1
N/S	15999V	FKM SEAL KIT	1

### KITS 222 CAST IRON PUMPS

PART NO	EPDM REPAIR KIT NO	FKM REPAIR KIT NO	EPDM SEAL KIT NO	FKM SEAL KIT NO
222PIH5	15000	15000V	15999	15999V
222PIH6	15000	15000V	15999	15999V
222PIH5E	15000	15000V	15999	15999V
222PI6PRO	15000	15000V	15999	15999V
222POI	15000	15000V	15999	15999V
222PBI	15000	15000V	15999	15999V



# CENTRIFUGAL PUMPS

## 2" 222 SERIES CAST IRON PUMPS WITH ELECTRIC MOTORS

### FEATURES

- Cast iron construction for rugged dependable service
- Carbon ceramic seal with stainless steel cup and spring with FKM rubber
- Replaceable inlet and outlet flanges
- Dynamically balanced impeller
- Heavy duty slinger seal on motor shaft
- Large weep holes between pump end and engine
- Motor features include pressure cast aluminum end plates with ribbed design for rigidity, heavy gauge steel frame, 230 volt, with inverter spike resistance magnet wire
- Due to weight and size of pumps, Banjo ships these by truck only.



### 222 SERIES CAST IRON PUMPS W/ELECTRIC MOTORS

PART NO	DESCRIPTION	HP	QTY	SKID QTY
222PIE5	2" CAST IRON PUMP W/5 HP THREE PHASE ELECTRIC MOTOR	5	1	3
222PIE51	2" CAST IRON PUMP W/5 HP SINGLE PHASE ELECTRIC MOTOR	5	1	3



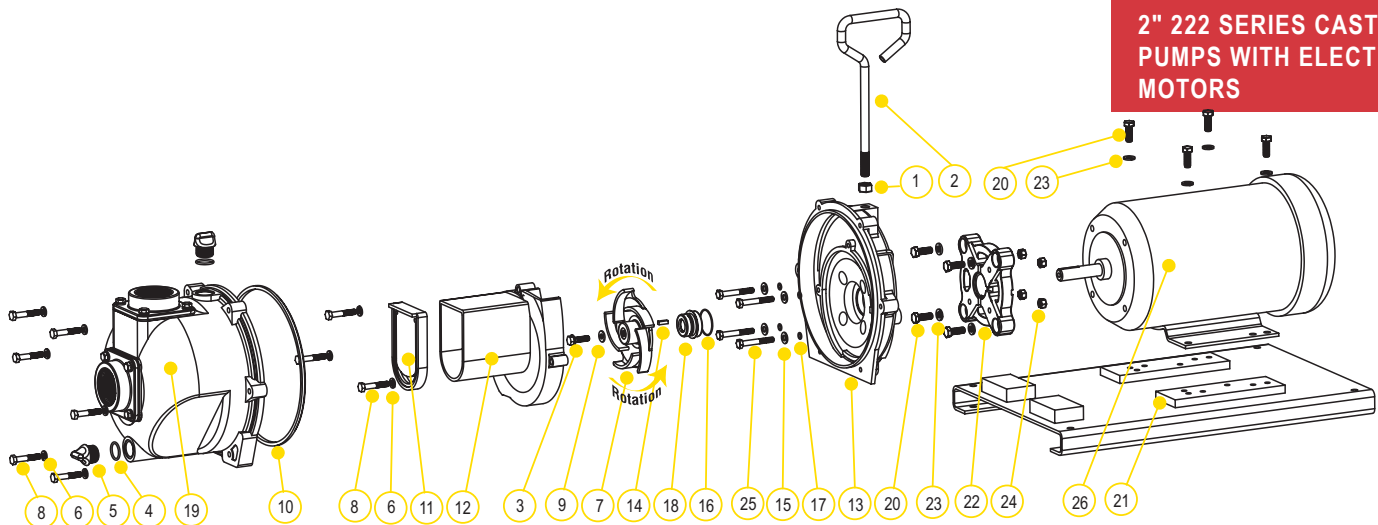
WARNING! DO NOT RUN PUMP DRY, RESTRICT OR REDUCE PORT SIZES OR DEAD HEAD PUMP



WARNING! DO NOT USE WITH FLAMMABLE LIQUIDS

# CENTRIFUGAL PUMPS

## 2" 222 SERIES CAST IRON PUMPS WITH ELECTRIC MOTORS

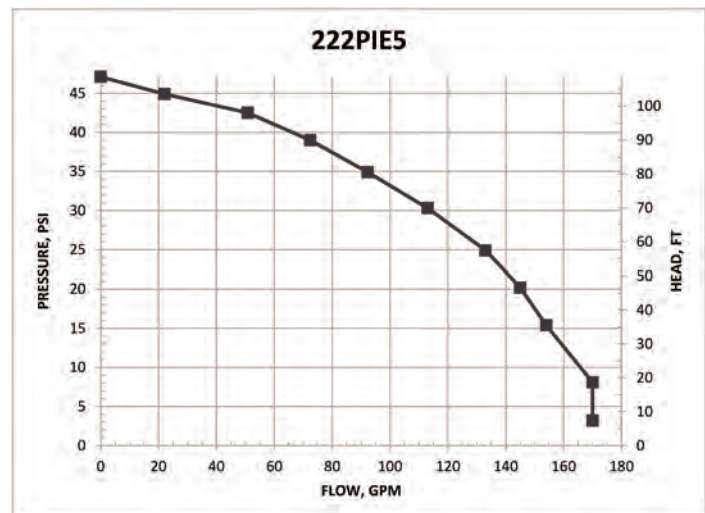


### REPLACEMENT PARTS 222 SERIES CAST IRON PUMPS

ITEM	PART NO	DESCRIPTION	QTY
1	17010	1/2" JAM NUT	1
2	15022	HANDLE	1
3	12765A	5/16" - 24 X 1.12 IMPELLER BOLT	1
4	13778	O-RING	2
5	13777	3/4" PLUG	2
6	V10118	5/16" LOCK WASHER	9
7	15772	5 VANE IMPELLER	1
8	12715A	5/16" - 24 X 1.75 HHCS	13
9	A204	O-RING	1
10	12719A	BODY O-RING	1
11	12705	CHECK VALVE	1
12	15702	VOLUTE	1
13	15703	REAR BRACKET	1
14	12902A	3/16" SQ. X 5/8" KEY	1
15	12901	5/16" FLAT WASHER	1
16	12710	O-RING	4
17	12717	O-RING	1
18	12713V	SEAL ASSEMBLY	4
18	N/A	SEVERE DUTY SEAL	1
19	15712	BODY	1
20	17704	3/16" - 16 X 1.25 HHCS BOLT	8
21	17701	C-FACED BASE PLATE	1
22	12046	56C ADAPTER	1
23	V20018	3/8" LOCK WASHER	8
24	V20019	3/8" 16 SS HEX NUT	4
25	N/A	5/16" - 18 X 2 1/4" HHCS BOLT	4
26	BEM5-182CZ	5 HP 3450 RPM THREE PHASE MOTOR	1
26	N/A	5 HP 3450 RPM SINGLE PHASE MOTOR	1
N/S	12099	7/16"-14 X 1.25" HHCS	1
N/S	15751	BRACKET SHIM	1
N/S	15752	IMPELLER SHIM	1
N/S	12756	ADAPTER KIT (ITEMS 14, 20, 22, 23, 12052, 12053, 15751, 15752, 17029)	1
N/S	15000	REPAIR KIT (ITEMS 4,7,9-11,14,16-18,12099,15751 & 15752)	1
N/S	15000V	FKM REPAIR KIT	1
N/S	15999	SEAL KIT (ITEMS 4, 9-11, 14,16-18,12099,15751 & 15752)	1
N/S	15999V	FKM SEAL KIT	1

### KITS 222 CAST IRON PUMPS

PART NO	EPDM REPAIR KIT NO	FKM REPAIR KIT NO	EPDM SEAL KIT NO	ADAPTER KIT NO
222PIE5	15000	15000V	15999	12756
222PIE51	15000	15000V	15999	12756

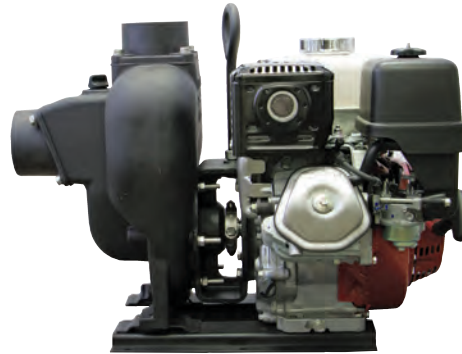


# CENTRIFUGAL PUMPS

## 3" CAST IRON PUMPS

### FEATURES

- Cast iron construction for rugged dependable service
- Stainless steel shaft sleeve to protect engine shaft
- Carbon ceramic seal with stainless steel cup and spring with FKM rubber
- Replaceable inlet and outlet flanges
- Dynamically balanced impeller
- Pump only packs complete and ready for attachment to gasoline engine
- Bearing pedestal pump for long coupling to electric motor
- Recommendation for 1" shaft: 184TC frame size, 7½ HP, 3450 RPM for close coupling to electric motors
- Engine warranty service available at authorized dealers
- Due to weight and size of pumps, Banjo ships these by truck only.



### 3" CAST IRON PUMP W/GAS ENGINES

PART NO	DESCRIPTION	HP	QTY	SKID QTY
300PIH13	3" CAST IRON PUMP W/13 HP HONDA® ENGINE W/ELECTRIC START & PULL ROPE	13	1	6



### 3" CAST IRON PUMP ONLY

PART NO	DESCRIPTION	HP	QTY	SKID QTY
300POI	3" CAST IRON PUMP ONLY W/ 1" SHAFT SLEEVE	N/A	1	8



WARNING! DO NOT RUN PUMP DRY, RESTRICT OR REDUCE PORT SIZES OR DEAD HEAD PUMP



WARNING! DO NOT USE WITH FLAMMABLE LIQUIDS

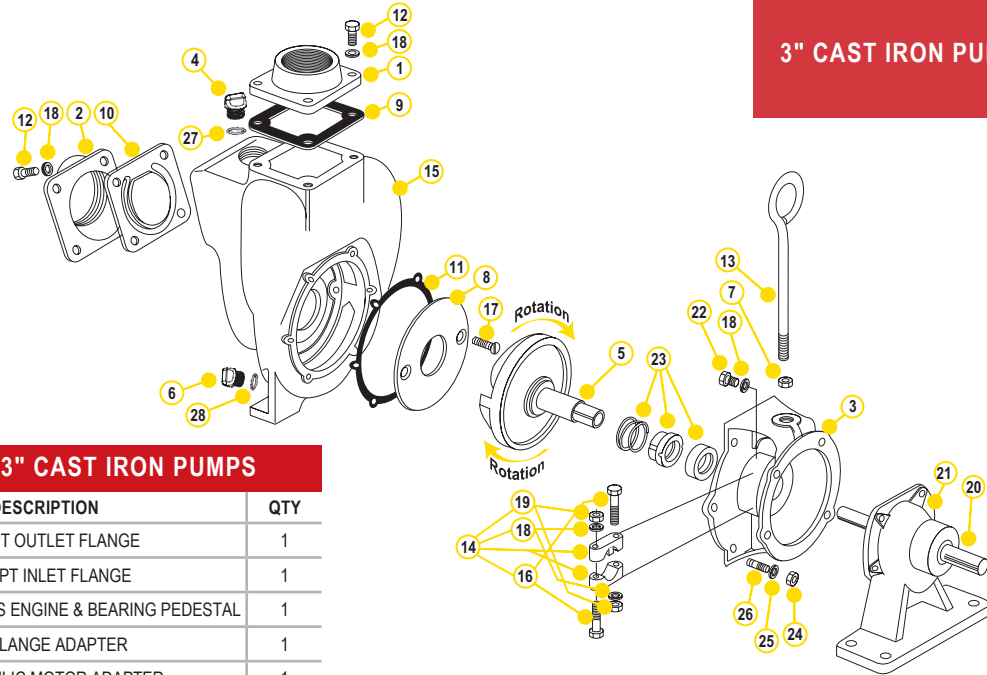


### 3" CAST IRON BEARING PEDESTAL

PART NO	DESCRIPTION	HP	QTY	SKID QTY
300PBI	3" CAST IRON BEARING PEDESTAL W/ 1" STRAIGHT SHAFT	N/A	1	8

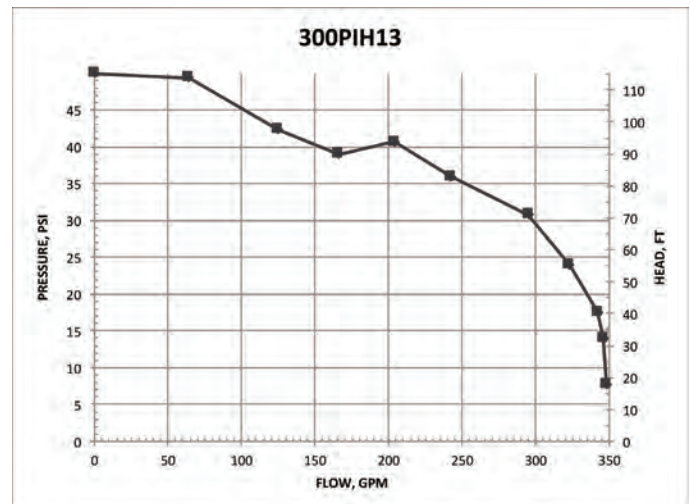
# CENTRIFUGAL PUMPS

## 3" CAST IRON PUMPS



### REPLACEMENT PARTS 3" CAST IRON PUMPS

ITEM	PART NO	DESCRIPTION	QTY
1	18008	3" NPT OUTLET FLANGE	1
2	18012	3" NPT INLET FLANGE	1
3	18026	ADAPTER FOR GAS ENGINE & BEARING PEDESTAL	1
3	18048	C-FLANGE ADAPTER	1
3	18049	HYDRAULIC MOTOR ADAPTER	1
N/S	18055	HYDRAULIC ADAPTER SHAFT	1
4	13777	3/4" PLUG	1
5*	18023SS	1" IMPELLER & DRIVE SHAFT FOR GAS ENGINE	1
5	18023-1.125	1 1/8" IMPELLER & DRIVE SHAFT FOR ELECTRIC MOTOR	1
6	12777	1/2" PLUG	1
7	18034	5/8" SS JAM NUT	1
8	18004	WEAR PLATE	1
9	18009	EPDM OUTLET GASKET	1
10	18013	GASKET CHECK VALVE ASSEMBLY	1
11	18021	ADAPTER GASKET	1
12	18010SS	3/8" - 16 X 1 1/8" SS CAP SCREW HXHD	8
13	18033	HANDLE	1
14	18029	CLAMP ASSEMBLY (OLD STYLE)	1
14	18129	CLAMP ASSEMBLY (NEW STYLE)	1
15	18001	PUMP HOUSING	1
16	N/A	3/8" -24 X 2 1/4" BOLT	2
17	18106	WEAR PLATE FLAT HEAD SCREW	2
18	V20018	3/8" LOCK WASHER	8
19	N/A	3/8" X 24 SS HEX NUT	2
20	18504	1" SHAFT	1
21	18500	BEARING PEDESTAL	1
N/S	18502	BEARING SKF 66306-2RS1/C3	2
22	17704	BOLT	4
23*	18025	FKM SEAL ASSEMBLY	1
23	18025SD	SEVERE DUTY SEAL	1
24	V20019	3/8" 16 SS HEX NUT	6
25	V20018	3/8" SS LOCK WASHER	6
26	18218	3/8" -16 X 24 X 2 1/8" SS STUD	6
27	13778	O-RING	1
28	UV15163	O-RING	1
N/S	18035	Z-RAIL MOUNTING BRACKET (PAIR)	1
N/S	18100	REPAIR KIT (CONSIST OF ITEMS 5*, 8,11,17, 23*)	1



# CENTRIFUGAL PUMPS

## 3" CAST IRON WET SEAL PUMPS

### FEATURES

- Cast iron construction for rugged dependable service
- Run dry capability
- Stainless steel hardware
- Double seal contained in ethylene glycol reservoir
- Replaceable inlet and outlet flanges
- Dynamically balanced impeller
- Pump only packs complete and ready for attachment to gasoline engine
- Pedestal pump for long coupling to electric motor
- Due to weight and size of pumps, Banjo ships these by truck only.



WARNING! DO NOT USE WITH FLAMMABLE LIQUIDS



### 3" CAST IRON WET SEAL PUMPS W/GAS ENGINES

PART NO	DESCRIPTION	HP	QTY	SKID QTY
301PIH13W	3" CAST IRON WET SEAL PUMP W/13 HP HONDA® ENGINE W/ ELECTRIC START & PULL ROPE	13	1	6



### 3" CAST IRON WET SEAL PUMP ONLY

PART NO	DESCRIPTION	HP	QTY	SKID QTY
301POIW	3" CAST IRON WET SEAL PUMP ONLY	N/A	1	8



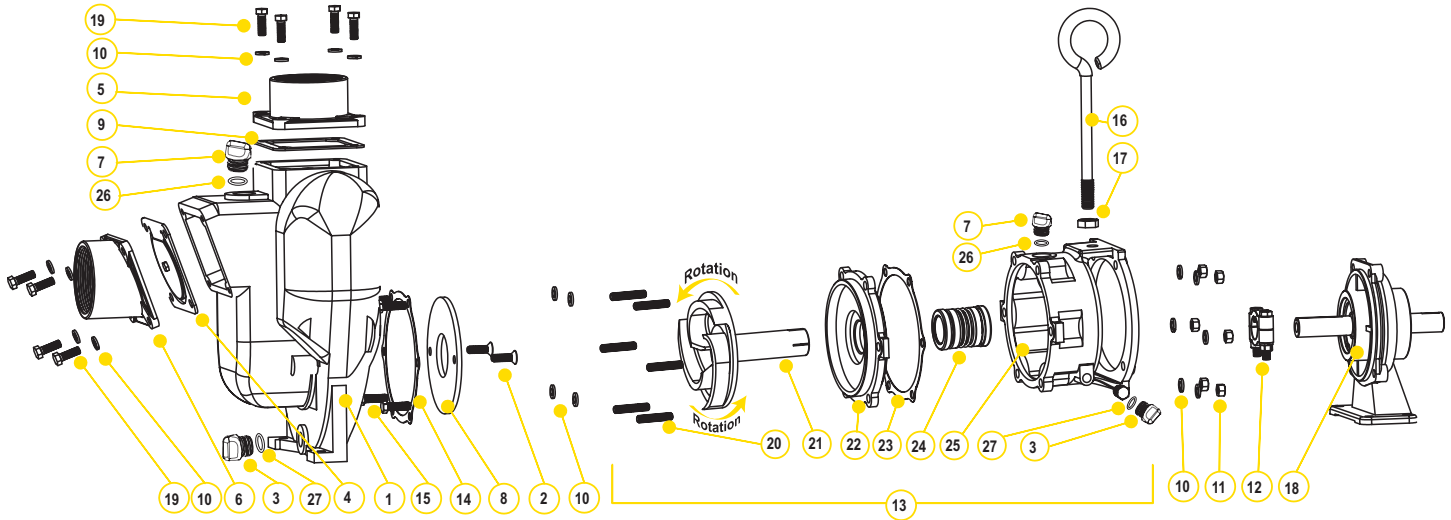
### 3" CAST IRON WET SEAL PUMP BEARING PEDESTAL

PART NO	DESCRIPTION	HP	QTY	SKID QTY
301PBIW	3" CAST IRON WET SEAL PUMP WITH BEARING PEDESTAL	N/A	1	8



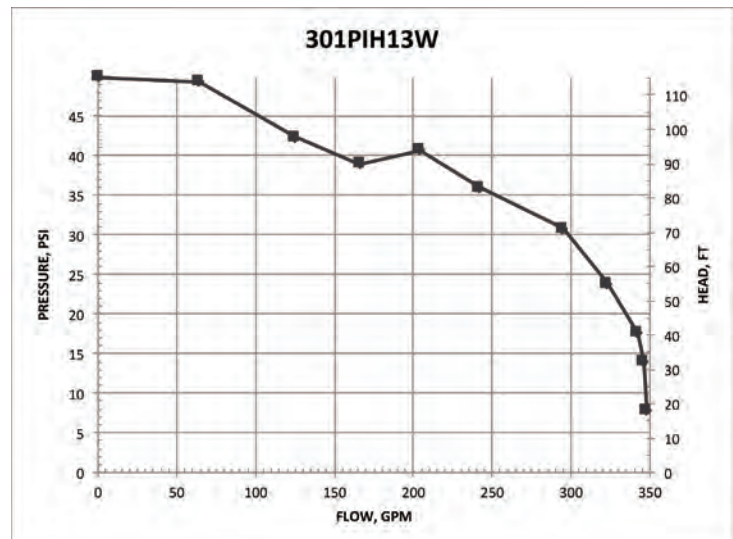
# CENTRIFUGAL PUMPS

## 3" CAST IRON WET SEAL PUMPS



### REPLACEMENT PARTS 3" CAST IRON PUMPS

ITEM	PART NO	DESCRIPTION	QTY
1	18001	PUMP HOUSING	1
2	18106	FLAT HEAD SOCKET CAP SCREW	2
3	12777	1/2" PLUG	2
4	18013	INLET/CHECK EPDM GASKET	1
5	18008	3" NPT OUTLET FLANGE	1
6	18012	3" NPT INLET FLANGE	1
7	13777	3/4" PLUG	2
8	18004	WEAR PLATE	1
9	18009	EPDM OUTLET GASKET	1
10	V20018	3/8" LOCK WASHER	18
11	V20019	3/8" 16 SS HEX NUT	6
12	18129	CLAMP ASSEMBLY KEYED	1
13	18200A	WET SEAL ASSEMBLY	1
14	18021	ADAPTER GASKET	1
15	17704	3/8" - 16 X 1 1/4" HHCS	4
16	18033	HANDLE	1
17	18034	5/8" - 11 JAM NUT	1
18	18500	BEARING PEDESTAL	1
19	18010SS	3/8" - 16 X 1 1/8" HHCS	8
20	18218	3/8" - 16 X 24 X 2 1/8" SS STUD	6
21	18206	IMPELLER	1
22	18202A	COVER PLATE	1
23	18021	ADAPTER GASKET	1
24	15035E	EPDM MECHANICAL SEAL ASSEMBLY	1
25	18203A	WET SEAL RESERVOIR	1
26	13778	O-RING	2
27	UV15163	O-RING	2



# CENTRIFUGAL PUMPS

## 3" CAST IRON PUMPS WITH HYDRAULIC MOTORS

### FEATURES

- Cast iron construction for rugged dependable service
- Stainless steel hardware
- Replaceable inlet and outlet flanges
- Dynamically balanced impeller
- Hydraulic fluid capacity is minimum 9 gallons and maximum 13 gallons
- Open or closed system
- 21 HP motor
- Recommendation to use the motor spool control valve or a suitable equivalent. The lack of such a valve in this circuit may cause failure to the hydraulic motor.



### 3" CAST IRON PUMPS W/ HYDRAULIC MOTORS

PART NO	DESCRIPTION	HP	QTY	SKID QTY
300PIHY	3" CAST IRON PUMP W/ 21 HP HYDRAULIC MOTOR	21	1	8

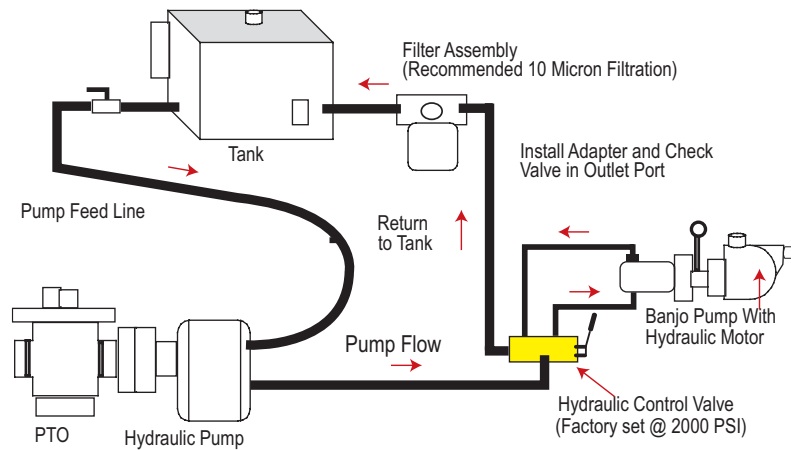


**WARNING! DO NOT RUN PUMP DRY, RESTRICT OR REDUCE PORT SIZES OR DEAD HEAD PUMP**



**WARNING! DO NOT USE WITH FLAMMABLE LIQUIDS**

### SPOOL VALVE ASSEMBLY DIAGRAM

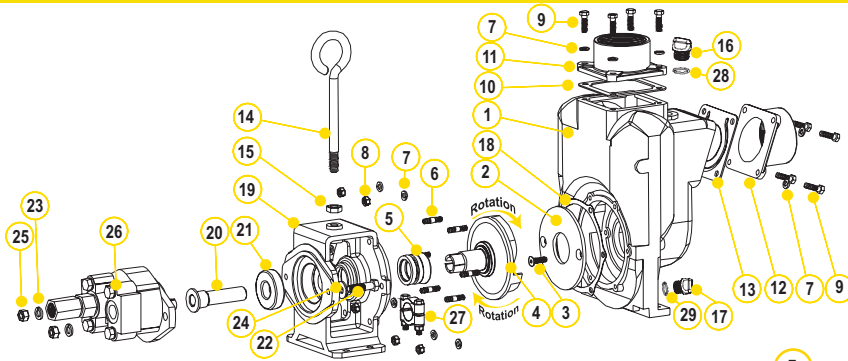


### HYDRAULIC MOTOR SPOOL VALVE

PART NO	DESCRIPTION	HP	QTY
HSV1000	HYDRAULIC MOTOR SPOOL VALVE	N/A	1

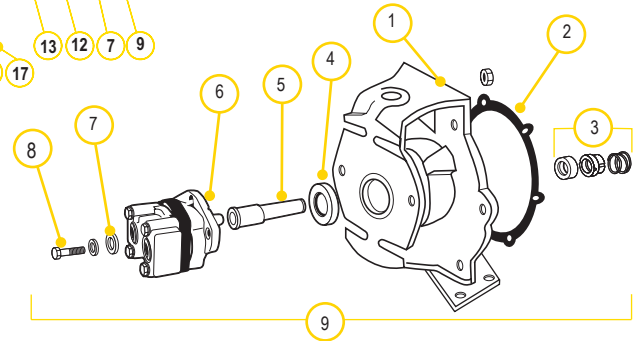
# CENTRIFUGAL PUMPS

**3" CAST IRON PUMPS WITH HYDRAULIC MOTORS**



## REPLACEMENT PART 3" CAST IRON PUMPS

ITEM	PART NO	DESCRIPTION	QTY
1	18001	PUMP HOUSING	1
2	18004	WEAR PLATE	1
3	18106	3/8" - 16 X 1.25" HHCS	2
4	18023SS	1" IMPELLER & DRIVE SHAFT FOR GAS ENGINE	1
5	18025	FKM MECHANICAL SEAL	1
5	18025SD	SEVERE DUTY SEAL	1
6	18218	3/8" -16 X 24 X 2 1/8" SS STUD	6
7	V20018	3/8" LOCK WASHER	14
8	V20019	3/8" 16 SS HEX NUT	6
9	18010SS	3/8" - 16 X 1.25" HHCS	8
10	18009	EPDM OUTLET GASKET	1
11	18008	3" NPT OUTLET FLANGE	1
12	18012	3" NPT INLET FLANGE	1
13	18013	INLET/CHECK EPDM GASKET	1
14	18033	HANDLE	1
15	18034	5/8" -11 HEX NUT	1
16	13777	3/4" PLUG	1
17	12777	1/2" PLUG	1
18	18021	ADAPTER GASKET	1
19	18049	HYDRAULIC MOTOR ADAPTER	1
20	18055	HYDRAULIC ADAPTER SHAFT	1
21	18502	BEARING SKF 66306-2RS1/C3	1
22	18056	1/2" -13 X 2" HHCS	2
23	N/A	1/2" SPLIT WASHER	2
24	N/A	1/2" FLAT WASHER	2
25	17010	1/2" - 13 HEX NUT	2
26	HY1012	UM16-45A-HX HYDRAULIC MOTOR ASSEMBLY	1
27	18029	CLAMP ASSEMBLY UNKEYED	1
28	13778	O-RING	1
29	UV15163	O-RING	1
KIT	18100	REPAIR KIT (CONSIST OF 2, 3, 4, 5, 18)	1



## REPLACEMENT PARTS 3" HYDRAULIC ADAPTER

ITEM	PART NO	DESCRIPTION	QTY
1	18049	C-FACE HYDRAULIC MOTOR ADAPTER	1
2	18021	GASKET ADAPTER	1
3	18025	SEAL ASSEMBLY	1
4	18502	SKF 63306-2RS1/C3 BEARING	1
5	18055	HYDRAULIC ADAPTER SHAFT SLEEVE	1
6	HY1012	TYRONE® UM16 HYDRAULIC MOTOR	1
7	N/A	1/2" FLAT WASHER	2
8	N/A	1/2" SPLIT LOCK WASHER	2
9	18056	1/2" - 13" X 2" HHCS BOLT	2
10	17010	1/2" HEX NUT	2
11	18600	HYDRAULIC MOTOR ADAPTER ASSEMBLY	1
KIT	HY1001	REPAIR KIT	1

## HYDRAULIC MOTOR DATA

U.S. GALLONS/REV.	0.0038
CUBIC INCHES/REV.	0.878
LITERS/REV.	0.0144
MAX HYDRAULIC PRESSURE	3000 PSI
MIN HYDRAULIC PRESSURE	600 PSI
INLET PORT	1-1/16-12UN-2B
OUTLET PORT	1-5/16-12UN-2B
MINIMUM GPM REQUIRED	9 GPM 2370 RPM
MAXIMUM GPM REQUIRED	13 GPM 3450 RPM
IDEAL GPM REQUIRED	9 GPM 3600 RPM

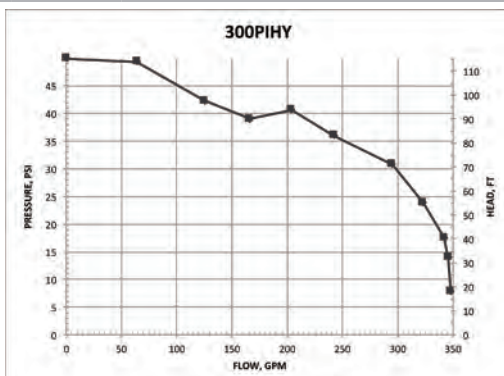
## CONNECTION INFORMATION

INLET	"A" PORT
OUTLET	"B" PORT

SUPPLIED CHECK VALVE IS TO ENSURE PROPER ROTATION OF THE BANJO PUMP. PLACE CHECK VALVE IN OUTLET PORT (MARKED "B") FOR PROPER RIGHT HAND ROTATION. IT IS RECOMMENDED THAT A MINIMUM 3/4" INLET LINE & A MINIMUM 1" OUTLET LINE BE USED. THE OUTLET PORT MUST BE CONNECTED DIRECTLY BACK TO THE HYDRAULIC FLUID RESERVOIR & NOT TO ANY VALVING, REGULATORS OR FLOW DIVERTERS. THE OUTLET PORT/RETURN LINE BACK PRESSURE MUST NOT EXCEED 250 PSI.

## SPOOL VALVE INFORMATION

REQUIRED OUTLET FLOW	MIN 9 GPM / MAX 13 GPM
REQUIRED SYSTEM PRESSURE	MIN 600 PSI / MAX 3000 PSI



# CENTRIFUGAL PUMPS

## 3" 333 SERIES CAST IRON PUMPS

POWERED by  
**HONDA**

### FEATURES

- Cast iron construction for rugged dependable service
- Carbon ceramic seal with stainless steel cup and spring with FKM rubber
- Replaceable inlet and outlet flanges
- Dynamically balanced impeller
- Heavy duty slinger seal on motor shaft
- Large weep holes between pump end and engine
- Pedestal pump for long coupling to electric motor
- Due to weight and size of pumps, Banjo ships these by truck only.
- Engine warranty service available at authorized dealers



### 333 SERIES CAST IRON PUMPS W/GAS ENGINES

PART NO	DESCRIPTION	HP	QTY	SKID QTY
333PIH13	3" CAST IRON PUMP W/13 HP HONDA® ENGINE W/ ELECTRIC START & PULL ROPE	13	1	1



### 333 SERIES CAST IRON PUMP ONLYS

PART NO	DESCRIPTION	HP	QTY	SKID QTY
333POI	3" CAST IRON PUMP ONLY W/1" SHAFT & 5 VANE IMPELLER UNASSEMBLED	N/A	1	6
333POICF	3" CAST IRON PUMP ONLY W/ ELECTRIC MOTOR ADAPTER	N/A	1	6



### 333 SERIES CAST IRON BEARING PEDESTAL

PART NO	DESCRIPTION	HP	QTY	SKID QTY
333PBI	3" CAST IRON BEARING PEDESTAL W/ 1" SHAFT	N/A	1	6



### 333 SERIES CAST IRON HYDRAULIC PUMPS

PART NO	DESCRIPTION	HP	QTY	SKID QTY
333PIE15	3" CAST IRON PUMP W/15 HP THREE PHASE ELECTRIC MOTOR	15	1	1



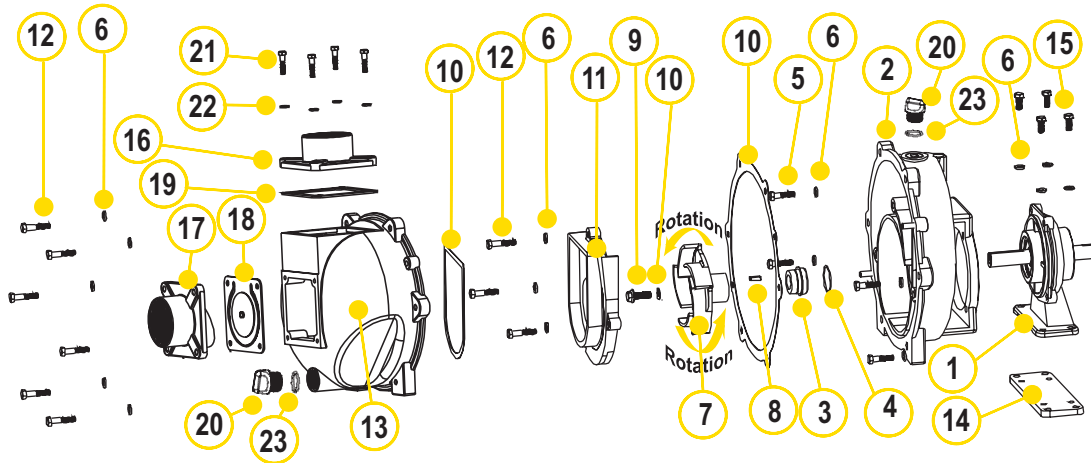
WARNING! DO NOT RUN PUMP DRY, RESTRICT OR REDUCE PORT SIZES OR DEAD HEAD PUMP



WARNING! DO NOT USE WITH FLAMMABLE LIQUIDS

# CENTRIFUGAL PUMPS

## 3" 333 SERIES CAST IRON PUMPS

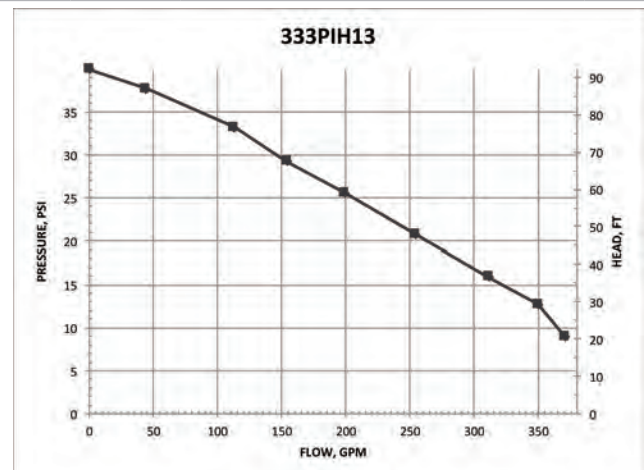


### REPLACEMENT PARTS 3" CAST IRON PUMPS

ITEM	PART NO	DESCRIPTION	QTY
N/S	16099	IMPELLER REMOVAL BOLT	1
1	18500	BEARING PEDESTAL (333PBI)	1
2	16704	REAR BRACKET	1
3	16713	MECHANICAL SEAL	1
4	16710	O-RING	1
5	17704	3/8" - 16 X 1.25" SS CAP SCREW (333PBI)	4
6	V20018	3/8" SS LOCK WASHER	17
7	16773	3" IMPELLER (333PBI)	1
7	16774	3" IMPELLER (333PIH13 & 333POI)	1
7	16774A	3" IMPELLER (333PIE15)	1
8	16901	1/4" SQ. 3/4" KEY STOCK	1
9	16765	IMPELLER BOLT (333PBI)	1
9	13765	IMPELLER BOLT (333PIH13)	1
10	16019	GASKET SET	1
11	16702	VOLUTE	1
12	N/A	3/8" - 16 X 1.75" SS BOLT	9
13	16733	BODY	1
14	18511	ADAPTER PLATE (333PBI)	1
15	18512	3/8" - 16 X 0.875" SS HHCS (333PBI)	4
N/S	16751	BRACKET SHIM SET	1
N/S	16752	IMPELLER SHIM	1
N/S	18033	HANDLE	1
N/S	18034	5/8" SS JAM NUT	1
16	16001	3" NPT OUTLET FLANGE	1
17	16003	3" NPT INLET FLANGE	1
18	16706	FKM INLET GASKET W/ CHECK	1
19	16011	FKM OUTLET GASKET	1
20	13777	3/4" PLUG	2
21	18027	3/8" - 16 X 1.50" HHCS (333PIH13)	8
22	V20018	3/8" SS LOCK WASHER	8
23	13778	O-RING	2

### REPLACEMENT PARTS 333PIE15

ITEM	PART NO	DESCRIPTION	QTY
N/S	16099	IMPELLER REMOVAL BOLT	1
2	16704A	REAR BRACKET W/C-FACE ADAPTER	1
3	15025	MECHANICAL SEAL	1
6	V20018	3/8" SS LOCK WASHER	8
7	N/A	3" IMPELLER - 5 VANE	1
8	N/A	1/4" SQ. 3/4" KEY STOCK	1
9	16765	7/16-20 1 1/4" HFS	1
10	16019	GASKET SET	1
11	16702	VOLUTE	1
12	N/A	3/8" - 16 X 1.75" SS BOLT	9
13	16733	BODY	1
N/S	16751	BRACKET SHIM SET	1
N/S	16752	IMPELLER SHIM	1
N/S	18033	HANDLE	1
N/S	18034	5/8" SS JAM NUT	1
16	16001	OUTLET FLANGE	1
17	16003	INLET FLANGE	1
18	16706	FKM INLET GASKET W/ CHECK	1
19	16011	FKM OUTLET GASKET	1
20	13777	3/4" PLUG	2
21	18027	3/8" - 16 X 1.50" HHCS	8
22	V20018	3/8" SS LOCK WASHER	4
23	13778	O-RING	2



# CENTRIFUGAL PUMPS

## 3" M332 SERIES CAST IRON MANIFOLD WET SEAL PUMPS

### FEATURES

- Run dry capability
- Cast iron construction for rugged dependable service
- Carbon ceramic seal with stainless steel cup and spring with EPDM rubber
- Replaceable inlet and outlet flanges
- Dynamically balanced impeller
- Heavy duty slinger seal on motor shaft
- Due to weight and size of pumps, Banjo ships these by truck only.
- Engine warranty service available at authorized dealers
- See pages 41-47 on manifold fittings for easy plumbing.



WARNING! DO NOT USE WITH FLAMMABLE LIQUIDS



### M332 SERIES CAST IRON WET SEAL PUMPS W/GAS ENGINES

PART NO	DESCRIPTION	HP	QTY	SKID QTY
M332PIH13W	3" MANIFOLD CAST IRON WET SEAL PUMP W/13 HP HONDA® ENGINE W/ELECTRIC START & PULL ROPE	13	1	6



### M332 SERIES CAST IRON WET SEAL PUMPS W/ELECTRIC MOTORS

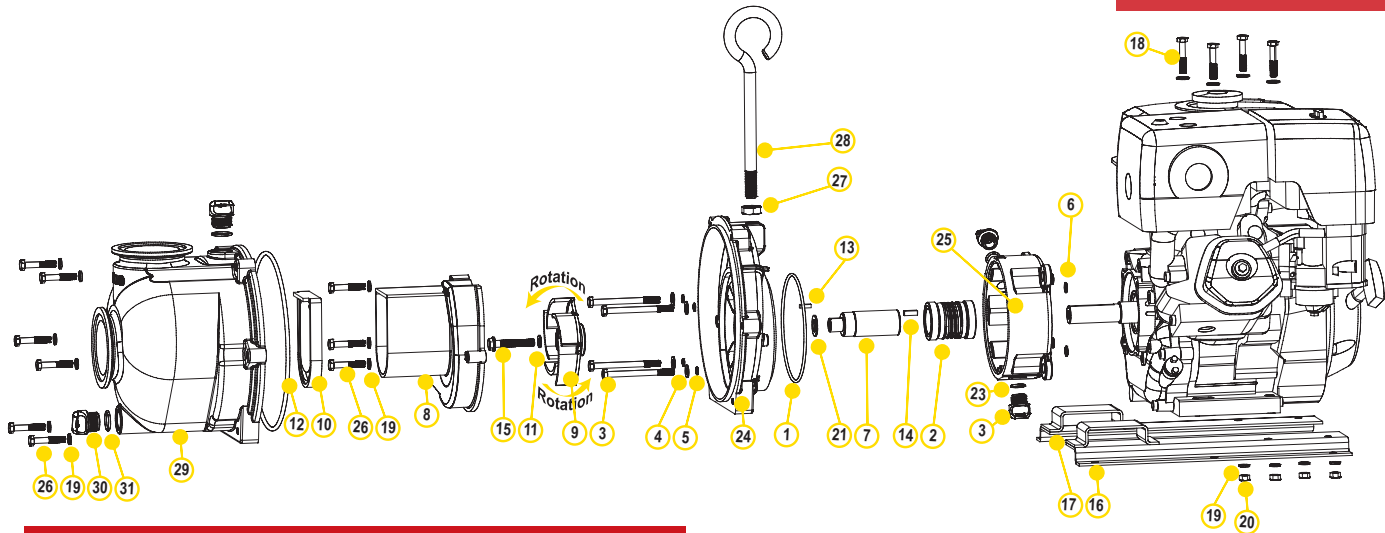
PART NO	DESCRIPTION	HP	QTY	SKID QTY
M332PIE10W	3" MANIFOLD CAST IRON WET SEAL PUMP W/10HP THREE PHASE ELECTRIC MOTOR	10	1	3
M332PIE101W	3" MANIFOLD CAST IRON WET SEAL PUMP W/10HP SINGLE PHASE ELECTRIC MOTOR	10	1	1

### M332 SERIES CAST IRON WET SEAL PUMP ONLY

PART NO	DESCRIPTION	HP	QTY	SKID QTY
M332POIW	3" MANIFOLD CAST IRON WET SEAL PUMP ONLY	N/A	1	6

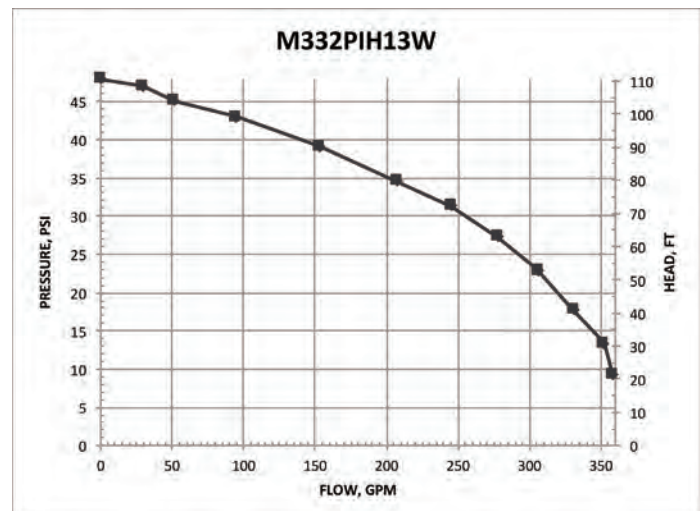
# CENTRIFUGAL PUMPS

## 3" M332 SERIES CAST IRON MANIFOLD WET SEAL PUMPS



### REPLACEMENT PARTS M332 SERIES CAST IRON PUMPS

ITEM	PART NO	DESCRIPTION	QTY
1	13719	O-RING	1
2	15035E	EPDM MECHANICAL SEAL ASSEMBLY	1
3	13034	5/16" - 24 X 3/4" HHCS	1
4	12901	5/16" FLAT WASHER	4
5	12717	O-RING FOR BRACKET SCREW	8
6	12709	O-RING	4
7	13055	ADAPTER SHAFT	4
8	19702	VOLUTE	1
9	19772SS	5 VANE IMPELLER	1
9	15772	IMPELLER (M332PBIW)	1
10	12705	CHECK VALVE	1
11	A204	O-RING	1
12	12719A	BODY O-RING	1
13	12902A	IMPELLER KEY	1
14	16901	1/4" SQ X 3/4" KEY STOCK	1
15	13766	3/8" - 24 X 2 1/4" HFS	1
16	N/A	Z-RAIL	1
17	N/A	Z-RAIL	1
18	N/A	5/16" - 18 X 1 1/4" HHCS	4
19	V10118	5/16" LOCK WASHER	13
20	V10119	5/16" HEX NUT	4
21	CV10175	GASKET	2
22	12777	1/2" PLUG	2
23	UV15163	O-RING	2
24	19703W	REAR BRACKET	1
25	19201W	WET SEAL RESERVOIR	1
26	12715A	5/16" - 24 X 1 3/4" HHCS	9
27	18034	5/8" - 11 JAM NUT	1
28	18033	PUMP HANDLE	1
29	M19712X	PUMP BODY	1
30	13777	3/4" PLUG	2
31	13778	O-RING	2



# CENTRIFUGAL PUMPS

## 3" M332 SERIES CAST IRON MANIFOLD WET SEAL PUMPS WITH HYDRAULIC MOTORS

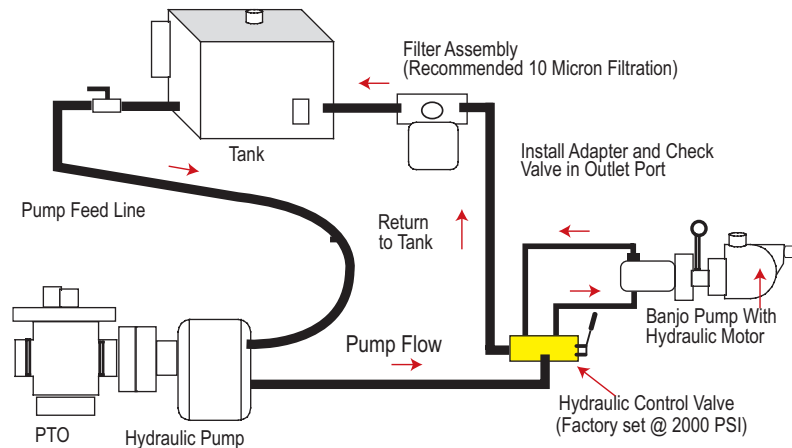
### FEATURES

- Run dry capability
- Cast iron construction for rugged dependable service
- Carbon ceramic seal with stainless steel cup and spring with EPDM rubber
- Replaceable inlet and outlet flanges
- Dynamically balanced impeller
- Heavy duty slinger seal on motor shaft
- Hydraulic fluid capacity is minimum 9 gallons and maximum 13 gallons
- Open or closed system
- 3600 R.P.M.
- Recommendation to use the motor spool control valve or a suitable equivalent. The lack of such a valve in this circuit may cause failure to the hydraulic motor.
- See pages 41-47 on manifold fittings for easy plumbing.

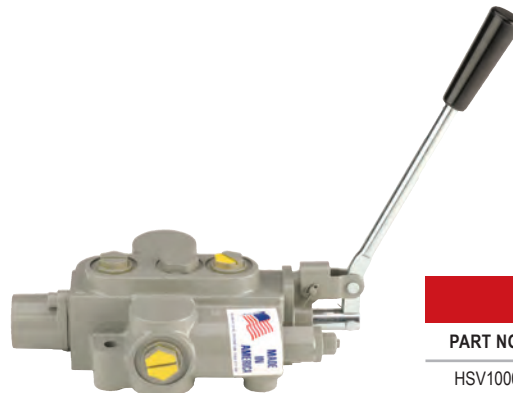


M332 SERIES CAST IRON MANIFOLD WET SEAL PUMPS W/O HYDRAULIC MOTOR					
PART NO	DESCRIPTION	HP	QTY	SKID QTY	
M332PIHYW	3" MANIFOLD CAST IRON WET SEAL PUMP W/ HYDRAULIC MOTOR	21	1	8	
M332PIHAW	3" MANIFOLD CI WET SEAL PUMP WITHOUT HYDRAULIC MOTOR	N/A	1	1	

### SPOOL VALVE ASSEMBLY DIAGRAM



**WARNING! DO NOT USE WITH FLAMMABLE LIQUIDS**



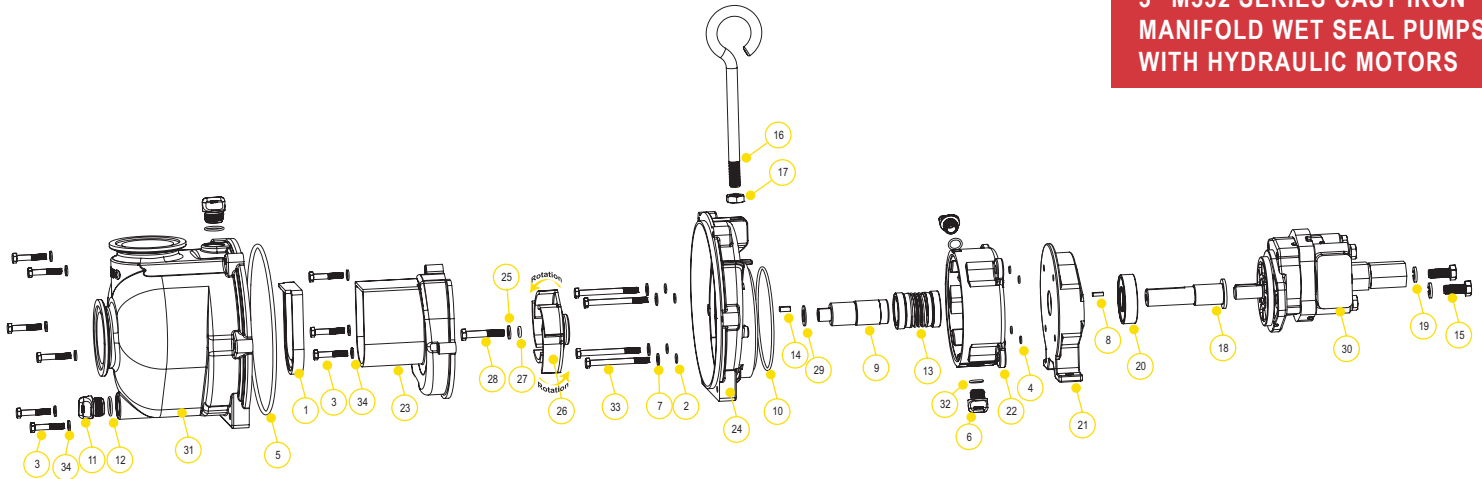
### HYDRAULIC MOTOR SPOOL VALVE

PART NO	DESCRIPTION	HP	QTY
HSV1000	HYDRAULIC MOTOR SPOOL VALVE	N/A	1



# CENTRIFUGAL PUMPS

## 3" M332 SERIES CAST IRON MANIFOLD WET SEAL PUMPS WITH HYDRAULIC MOTORS



### REPLACEMENT PARTS M332 SERIES CAST IRON PUMPS

ITEM	PART NO	DESCRIPTION	QTY
1	12705	CHECK VALVE	1
2	12709	O-RING	4
3	12715A	SS BRACKET SCREWS-	9
4	12717	O-RING FOR SCREW HEAD	4
5	12719A	BODY O-RING	1
6	12777	1/2" PLUG	2
7	12901	SS REAR BRACKET WASHER	4
8	12902A	IMPELLER KEY	1
9	13055	ADAPTER SHAFT	1
10	13719	O-RING	1
11	13777	3/4" PLUG	2
12	13778	O-RING	2
13	15035E	EPDM MECHANICAL SEAL ASSEMBLY	1
14	16901	1/2" SQ. 3/4" KEY STOCK	1
15	N/A	BOLT	2
16	18033	HANDLE	1
17	18034	5/8" SS JAM NUT	1
18	18055H	HYDRAULIC MOTOR ADAPTER SHAFT	1
19	N/A	1/2" SPLIT LOCK WASHER	2
20	18502	SKF 63306-2RS1/C3 BEARING	1
21	19001H	RESERVOIR BACKING PLATE	1
22	19201W	WET SEAL RESERVOIR	1
23	19702	VOLUTE	1
24	19703W	REAR BRACKET	1
25	N/A	3/8" FLAT WASHER	1
26	19772SS	5 VANE IMPELLER	1
27	A204	O-RING	1
28	BF311	3/8" - 16 X 3" HHCS	1
29	CV10175	GASKET	1
30	HY1012	TYRONE® UM16 HYDRAULIC MOTOR	1
31	M19712X	PUMP BODY	1
32	UV15163	PRIME/DRAIN PLUG O-RING	2
33	V10118	5/16" SS LOCK WASHER	4
34	V10117	5/16" X 3 1/2" SS BODY BOLT	9

### HYDRAULIC MOTOR DATA

U.S. GALLONS/REV.	0.0038
CUBIC INCHES/REV.	0.878
LITERS/REV.	0.0144
MAX HYDRAULIC PRESSURE	3000 PSI
MIN HYDRAULIC PRESSURE	600 PSI
INLET PORT	1-1/16-12UN-2B
OUTLET PORT	1-5/16-12UN-2B
MINIMUM GPM REQUIRED	9 GPM 2370 RPM
MAXIMUM GPM REQUIRED	13 GPM 3450 RPM
IDEAL GPM REQUIRED	9 GPM 3600 RPM

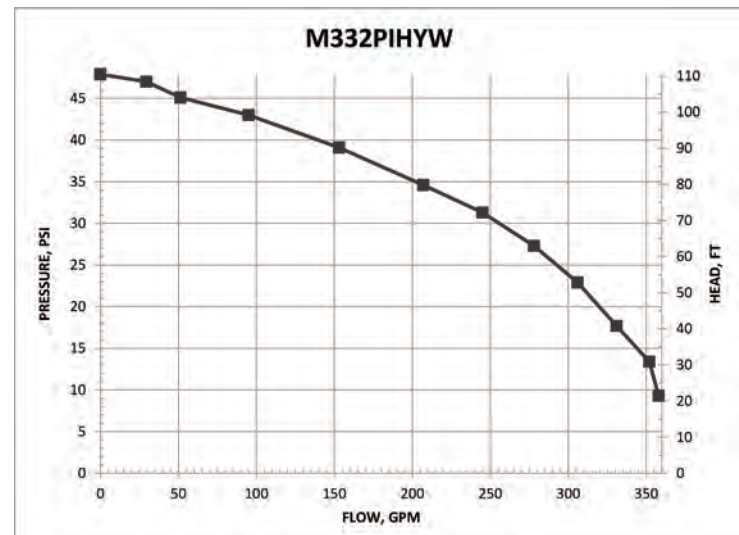
### CONNECTION INFORMATION

INLET	"A" PORT
OUTLET	"B" PORT

SUPPLIED CHECK VALVE IS TO ENSURE PROPER ROTATION OF THE BANJO PUMP. PLACE CHECK VALVE IN OUTLET PORT (MARKED "B") FOR PROPER RIGHT HAND ROTATION. IT IS RECOMMENDED THAT A MINIMUM 3/4" INLET LINE & A MINIMUM 1" OUTLET LINE BE USED. THE OUTLET PORT MUST BE CONNECTED DIRECTLY BACK TO THE HYDRAULIC FLUID RESERVOIR & NOT TO ANY VALVING, REGULATORS OR FLOW DIVERTERS. THE OUTLET PORT/RETURN LINE BACK PRESSURE MUST NOT EXCEED 250 PSI.

### SPOOL VALVE INFORMATION

REQUIRED OUTLET FLOW	MIN 9 GPM / MAX 13 GPM
REQUIRED SYSTEM PRESSURE	MIN 600 PSI / MAX 3000 PSI



# CENTRIFUGAL PUMPS

## 4" 444 SERIES CAST IRON PUMPS

### FEATURES

- Cast iron construction for rugged dependable service
- Carbon ceramic seal with stainless steel cup and spring with FKM rubber
- Replaceable inlet and outlet flanges
- Dynamically balanced impeller
- Heavy duty slinger seal on motor shaft
- Large weep holes between pump end and engine
- Recommendation for 444POI: use with 10 pound per gallon material or more
- Due to weight and size of pumps, Banjo ships these by truck only.
- Engine warranty service available at authorized dealers



WARNING! DO NOT RUN PUMP DRY, RESTRICT OR REDUCE PORT SIZES OR DEAD HEAD PUMP



WARNING! DO NOT USE WITH FLAMMABLE LIQUIDS



### 444 SERIES CAST IRON PUMPS W/GAS ENGINES

PART NO	DESCRIPTION	HP	QTY	SKID QTY
444PIH24	4" CAST IRON PUMP W/24 HP HONDA® ENGINE	24	1	1



### 444 SERIES CAST IRON PUMP BEARING PEDESTAL

PART NO	DESCRIPTION	HP	QTY	SKID QTY
444PBI	4" CAST IRON PUMP W/BEARING PEDESTAL W/ 1" SHAFT & 5 VANE IMPELLER	N/A	1	6

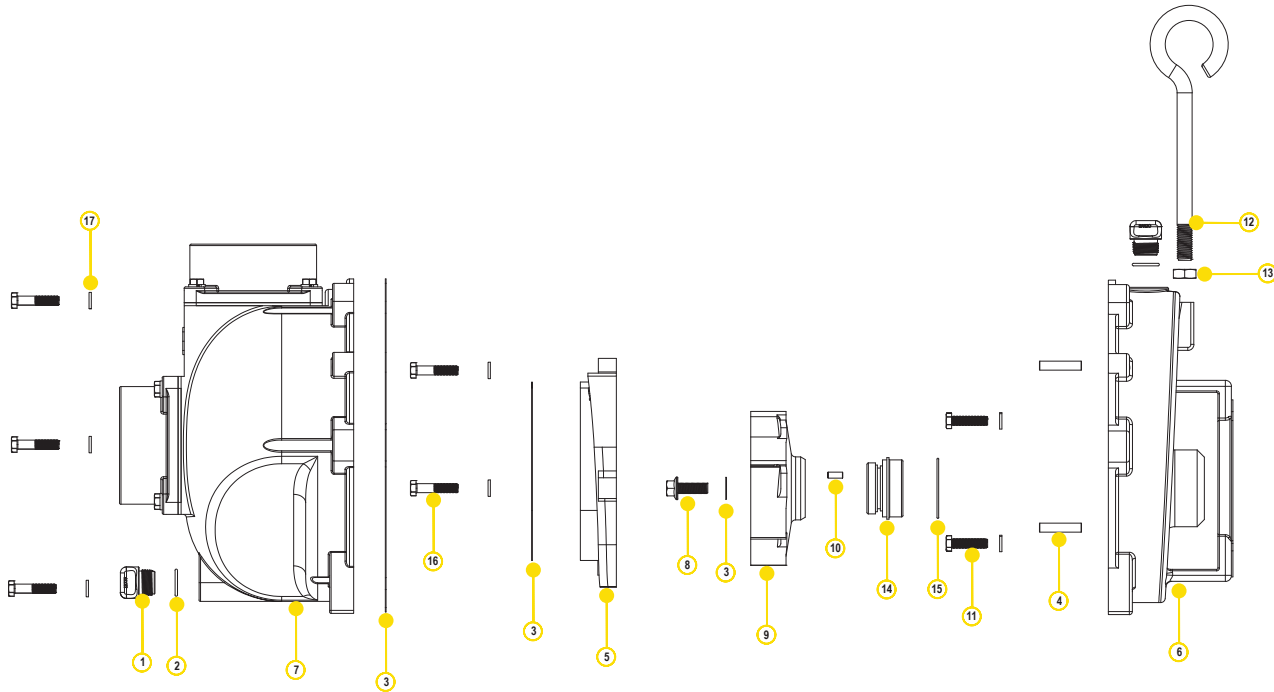


### 444 SERIES CAST IRON PUMP ONLYS

PART NO	DESCRIPTION	HP	QTY	SKID QTY
444POI	4" CAST IRON PUMP ONLY W/ 1½" X 3½" SHAFT & 6 VANE IMPELLER UNASSEMBLED	N/A	1	6

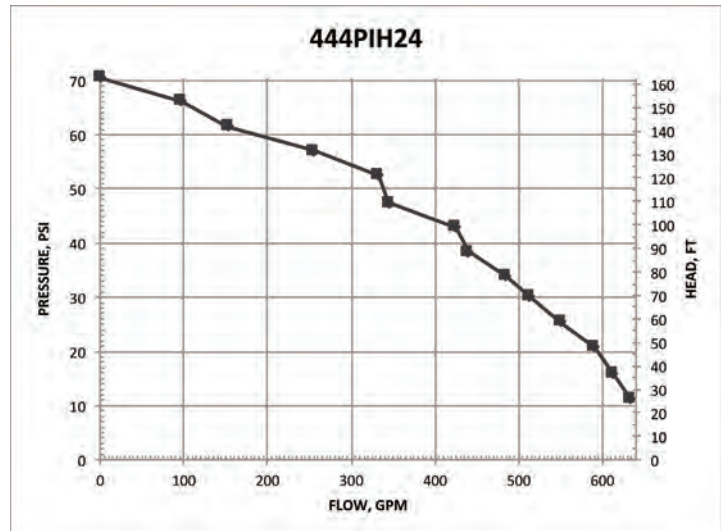
# CENTRIFUGAL PUMPS

## 4" 444 SERIES CAST IRON PUMPS



### REPLACEMENT PARTS 4" CAST IRON PUMPS

ITEM	PART NO	DESCRIPTION	QTY
1	13777	3/4" PLUG	2
2	13778	O-RING	2
3	16019	O-RINGS	1
4	N/A	3/8" X 1 3/4" DOWELL PIN	2
5	16702	VOLUTE	1
6	16707	REAR BRACKET	1
7	16712	BODY	1
8	16765	IMPELLER BOLT	1
9	16775	4" IMPELLER	1
10	16901	1/4" SQ. 3/4" KEY STOCK	1
11	18027	3/8" - 16 X 1.50" HHCS	4
12	18033	HANDLE	1
13	18034	5/8" SS JAM NUT	1
14	18435	MECHANICAL SEAL	1
15	V10264	O-RING	1
16	N/A	3/8"-16 X 1 3/4" HHCS	9
17	V20018	3/8" SS LOCK WASHER	13



**Note:** Please see repair parts list for 444PBI on our website.

# CENTRIFUGAL PUMPS

## 2" STAINLESS STEEL PUMPS

### FEATURES

- 316 stainless steel housing and wettable internal components including impeller, sleeve, wear plate and fasteners
- Carbon ceramic seal with 316 stainless steel cup and spring with FKM elastomer
- Replaceable inlet and outlet flanges
- Dynamically balanced impeller
- Pump only packs complete and ready for attachment to gasoline engine
- Pedestal pump for long coupling to electric motor
- Recommendation for 5/8" shaft: 56C frame size, 3 HP, 3450 RPM & 5" max impeller for close coupling to electric motors
- Recommendation for 7/8" shaft: 145TC frame size, 3 HP, 3450 RPM & 5" max impeller for close coupling to electric motors
- Engine warranty service available at authorized dealers
- Due to weight and size of pumps, Banjo ships these by truck only.



WARNING! DO NOT RUN PUMP DRY, RESTRICT OR REDUCE PORT SIZES OR DEAD HEAD PUMP



WARNING! DO NOT USE WITH FLAMMABLE LIQUIDS



### 2" STAINLESS STEEL PUMPS W/GAS ENGINES

PART NO	DESCRIPTION	HP	QTY	SKID QTY
200PH5-SS	2" SS PUMP W/5.5 HP HONDA® ENGINE W/ PULL ROPE ONLY	5.5	1	8



### 2" STAINLESS STEEL PUMP ONLY

PART NO	DESCRIPTION	HP	QTY	SKID QTY
200PO-SS	2" SS PUMP ONLY W/ 3/4" SHAFT SLEEVE	N/A	1	27



### 2" STAINLESS STEEL C-FACE PUMPS

PART NO	DESCRIPTION	HP	QTY	SKID QTY
200POSSCF5/8	2" SS C-FACE PUMP W/ 5/8" SHAFT SLEEVE	N/A	1	18

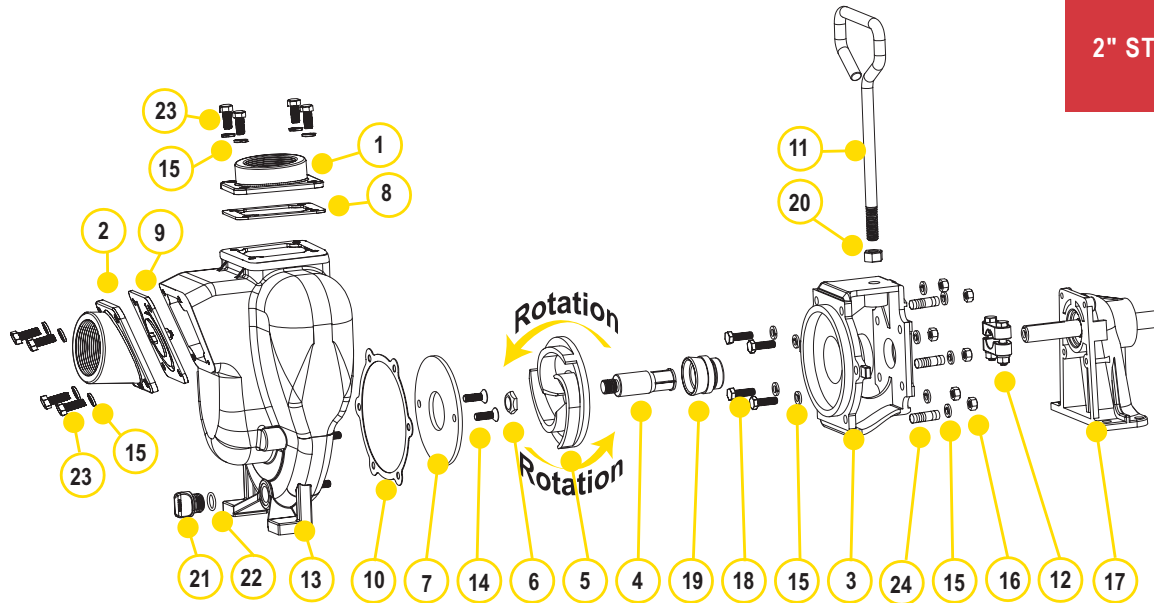


### 2" STAINLESS STEEL BEARING PEDESTAL

PART NO	DESCRIPTION	HP	QTY	SKID QTY
200PB-SS	2" SS BEARING PEDESTAL W/ 3/4" STRAIGHT SHAFT*	N/A	1	18

# CENTRIFUGAL PUMPS

## 2" STAINLESS STEEL PUMPS

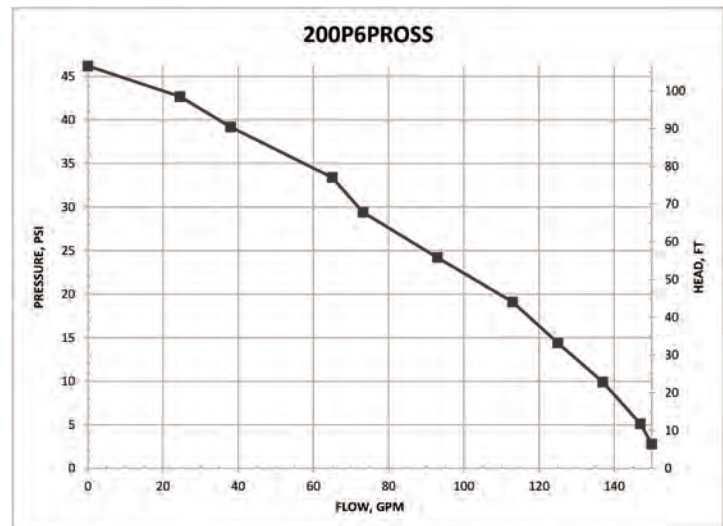


### REPLACEMENT PARTS 2" STAINLESS STEEL PUMPS

ITEM	PART NO	DESCRIPTION	QTY
1	17000SS	2" NPT SS OUTLET FLANGE	1
2	17002SS	2" NPT SS INLET FLANGE	1
3	17004SS	SS ADAPTER FOR GAS ENGINE	1
3	17046SS	CF ADAPTER FOR ELECTRIC MOTOR	1
4	17005	5/8" SS SLEEVE DRIVE	1
4	17006	3/4" SS SLEEVE DRIVE	1
4	17007	7/8" SS SLEEVE DRIVE	1
5	17008SS	SS IMPELLER	1
5	N/A	4.1" SS IMPELLER	1
5	N/A	4.6" SS IMPELLER	1
6	17009B	5/8" IMPELLER NUT	1
7	17011SS	SS WEAR PLATE	1
8	17014	FKM OUTLET GASKET	1
9	17017	FKM CHECK VALVE ASSEMBLY GASKET	1
10	17018	ADAPTER GASKET	1
11	15022	HANDLE	1
12	17023	5/8" CLAMP, 3/4" SS SHAFT (OLD STYLE)	1
12	17123	5/8" CLAMP, 3/4" SS SHAFT (KEYED CLAMP)	1
12	17024	7/8" CLAMP, 3/4" SS SHAFT	1
13	17026SS	SS PUMP HOUSING	1
14	17130SS	5/16-18 X 1.00" FHSCS, 316 SS	2
15	V10118	5/16" LOCK WASHER	18
16	V10119	5/16" -18 SS HEX NUT	6
17	12882A	BEARING PEDESTAL ASSEMBLY W/ 3/4" SHAFT	1
18	17040	BOLT	4
19	17035SS	FKM SS SEAL ASSEMBLY	1
20	17010	1/2" - 24 X 1" HHCS	1
21	12777SS	1/2" STAINLESS STEEL PLUG	1
22	UV15163V	O-RING FKM	1
23	17019	5/16" - 18 X 3/4" CAP SCREW	8
24	17042	STUD	6
KIT	17100SS	PUMP REPAIR KIT(CONSISTS OF 4,5,7,10,14,19)	1

### KITS 2" SS PUMPS

PART NO	FKM REPAIR KIT NO
200PH5-SS	17100SS
200PB-SS	17100SS
200PO-SS	17100SS



# CENTRIFUGAL PUMPS

## 2" STAINLESS STEEL PUMPS WITH ELECTRIC MOTORS

### FEATURES

- Stainless steel construction for rugged dependable service
- Stainless steel shaft sleeve to protect engine shaft
- Replaceable inlet and outlet flanges
- Dynamically balanced impeller
- Due to weight and size of pumps, Banjo ships these by truck only.
- Motor warranty service available at authorized dealers
- Motor features include pressure cast aluminum end plates with ribbed design for rigidity, heavy gauge steel frame, 230 volt, with inverter spike resistance magnet wire



### 2" STAINLESS STEEL PUMPS W/ELECTRIC MOTORS

PART NO	DESCRIPTION	HP	QTY	SKID QTY
234PE5SS	2" STAINLESS STEEL PUMP W/5 HP THREE PHASE ELECTRIC MOTOR	5	1	3



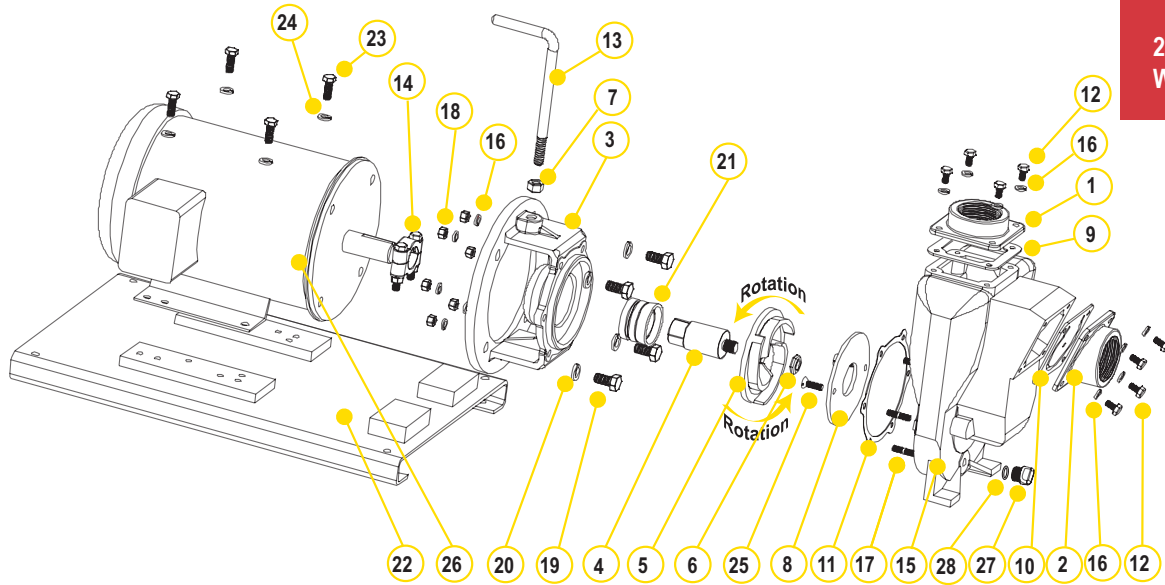
WARNING! DO NOT RUN PUMP DRY, RESTRICT OR REDUCE PORT SIZES OR DEAD HEAD PUMP



WARNING! DO NOT USE WITH FLAMMABLE LIQUIDS

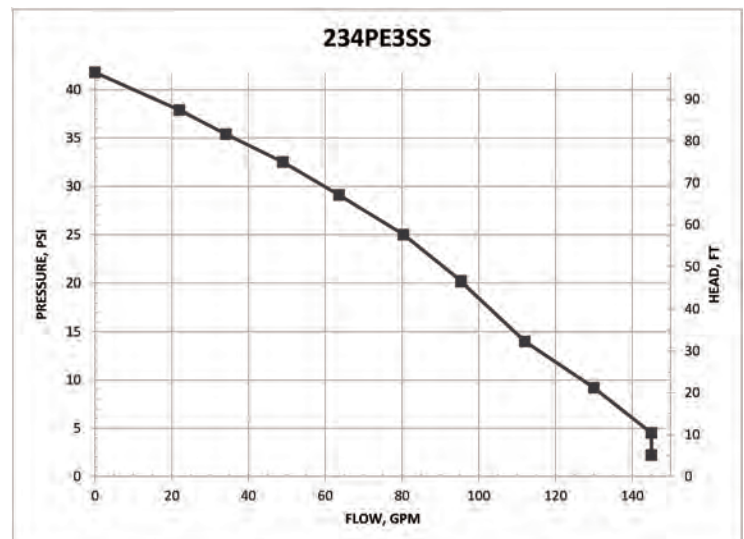
# CENTRIFUGAL PUMPS

2" STAINLESS STEEL PUMPS  
WITH ELECTRIC MOTORS



## REPLACEMENT PARTS 2" STAINLESS STEEL PUMPS

ITEM	PART NO	DESCRIPTION	QTY
1	17000SS	2" NPT OUTLET FLANGE	1
2	17002SS	2" NPT INLET FLANGE	1
3	17446SS	C-FACE ADAPTER (234PE5SS & 234PE51SS)	1
4	17406	IMPELLER SHAFT (234PE5SS & 234PE51SS)	1
5	17408SS	IMPELLER	1
6	17009B	5/8" IMPELLER NUT	1
7	17010	1/2" HEX NUT	1
8	17011SS	WEAR PLATE	1
9	17014	FKM OUTLET GASKET	1
10	17017	FKM GASKET & CHECK VALVE	1
11	17018	ADAPTER GASKET	1
12	17019	BOLT	8
13	15022	HANDLE	1
14	18129	CLAMP ASSEMBLY	1
15	17026SS	PUMP HOUSING	1
16	V10118	5/16" LOCK WASHER	20
17	17042	HOUSING STUD	6
18	V10119	HEX NUT	8
19	N/A	BOLT	4
20	N/A	WASHER	4
21	18025SS	SEAL ASSEMBLY (234PE5SS & 234PE51SS)	1
22	17701	BASE PLATE ASSEMBLY	1
23	17704	BOLT	4
24	V20018	3/8" LOCK WASHER	4
25	17130SS	5/16-18 X 1.00" FHSCS, 316 SS	2
26	N/A	ELECTRIC MOTOR	1
27	12777SS	1/2" STAINLESS STEEL PLUG	1
28	UV15163V	FKM O-RING	1

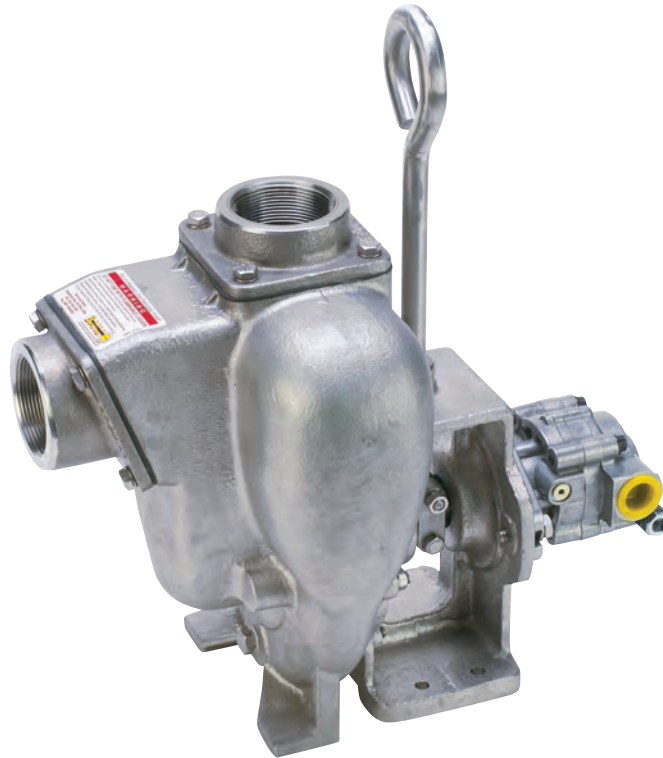


# CENTRIFUGAL PUMPS

## 2" STAINLESS STEEL PUMPS WITH HYDRAULIC MOTORS

### FEATURES

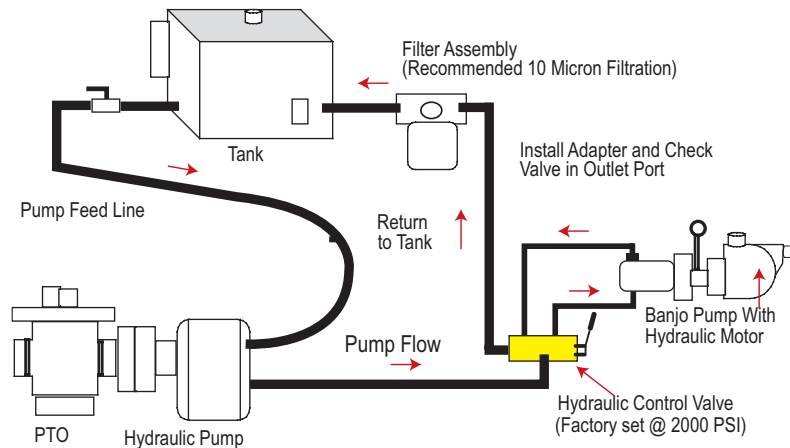
- Cast iron construction for rugged dependable service
- Stainless steel hardware
- Replaceable inlet and outlet flanges
- Dynamically balanced impeller
- Hydraulic fluid capacity is minimum 6 gallons and maximum 10 gallons
- Open or closed system
- 12 HP motor
- Recommendation to use the motor spool control valve or a suitable equivalent. The lack of such a valve in this circuit may cause failure to the hydraulic motor.



### 2" STAINLESS STEEL PUMPS W/ HYDRAULIC MOTORS

PART NO	DESCRIPTION	HP	QTY	SKID QTY
200PHYSS	2" STAINLESS STEEL PUMP W/ 12 HP HYDRAULIC MOTOR	12	1	18

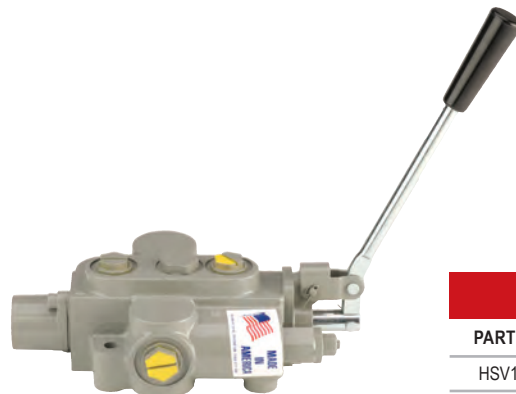
### SPOOL VALVE ASSEMBLY DIAGRAM



**WARNING! DO NOT RUN PUMP DRY, RESTRICT OR REDUCE PORT SIZES OR DEAD HEAD PUMP**



**WARNING! DO NOT USE WITH FLAMMABLE LIQUIDS**



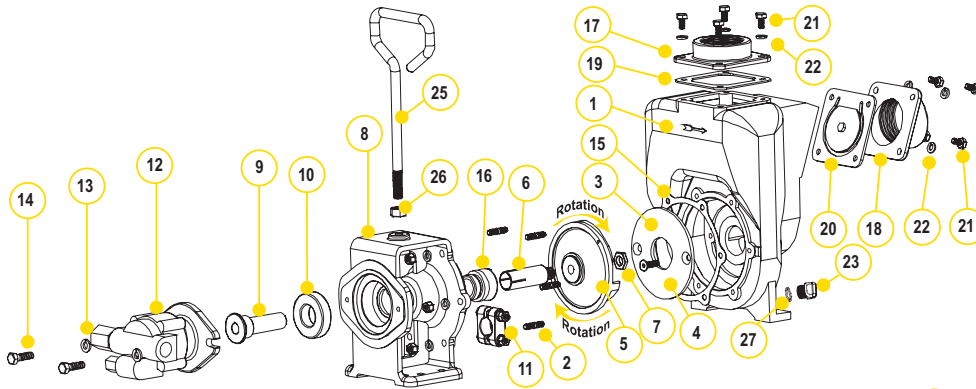
### HYDRAULIC MOTOR SPOOL VALVE

PART NO	DESCRIPTION	HP	QTY
HSV1000	HYDRAULIC MOTOR SPOOL VALVE	N/A	1



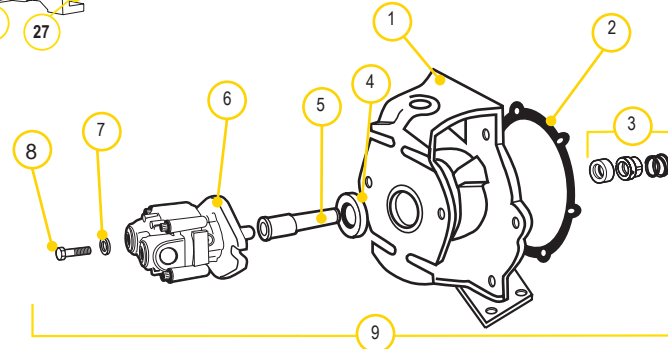
# CENTRIFUGAL PUMPS

2" STAINLESS STEEL PUMPS WITH HYDRAULIC MOTORS



## REPLACEMENT PARTS 2" STAINLESS STEEL PUMPS

ITEM	PART NO	DESCRIPTION	QTY
1	17026SS	PUMP HOUSING	1
2	17042	PUMP HOUSING STUD	6
3	17011SS	WEAR PLATE	1
4	17130SS	5/16-18 X 1.00" FHSCS, 316 SS	2
5	17008SS	5" IMPELLER	1
6	17007	7/8" SLEEVE DRIVE FOR ELECTRIC MOTOR	1
7	17009B	5/8" IMPELLER NUT	1
8	17049ASS	HYDRAULIC ADAPTER	1
9	17055A	HYDRAULIC ADAPTER SHAFT	1
10	17056	SKF 6206-2RS1 BEARING	1
11	17024	7/8" CLAMP, NO KEY	1
12	HY1013	MGG20025BC1D3 HYDRAULIC MOTOR ASSEMBLY	1
13	V20018	3/8" LOCK WASHER	2
14	18010SS	3/8" - 16 X 1.25" HHHCS	2
15	17018	GASKET ADAPTER	1
16	17035SS	FKM SEAL ASSEMBLY	1
17	17000SS	2" NPT OUTLET FLANGE	1
18	17002SS	2" NPT INLET FLANGE	1
19	17014	FKM GASKET	1
20	17017	GASKET CHECK VALVE ASSEMBLY	1
21	17019	5/16" - 18 X 0.75" CAP SCREW	8
22	V10118	5/16" SPLIT LOCK WASHER	14
23	12777SS	1/2" STAINLESS STEEL PLUG	1
24	V10119	5/16"-18 HEX NUT	6
25	15022	HANDLE	1
26	17010	1/2" HEX NUT -13UNF-RH	1
27	UV15163V	O-RING FKM	1



## HYDRAULIC MOTOR DATA

U.S. GALLONS/REV.	0.0025
CUBIC INCHES/REV.	0.580
LITERS/REV.	0.0097
MAX HYDRAULIC PRESSURE	2000 PSI
MIN HYDRAULIC PRESSURE	200 PSI
INLET PORT	SAE 10 (7/8-14 UNF-2B)
OUTLET PORT	SAE 10 (7/8-14 UNF-2B)
MINIMUM GPM REQUIRED	6 GPM 2400 RPM
MAXIMUM GPM REQUIRED	10 GPM 4000 RPM
IDEAL GPM REQUIRED	9 GPM 3600 RPM

## CONNECTION INFORMATION

INLET	"A" PORT
OUTLET	"B" PORT

SUPPLIED CHECK VALVE IS TO ENSURE PROPER ROTATION OF THE BANJO PUMP. PLACE CHECK VALVE IN OUTLET PORT (MARKED "B") FOR PROPER RIGHT HAND ROTATION.

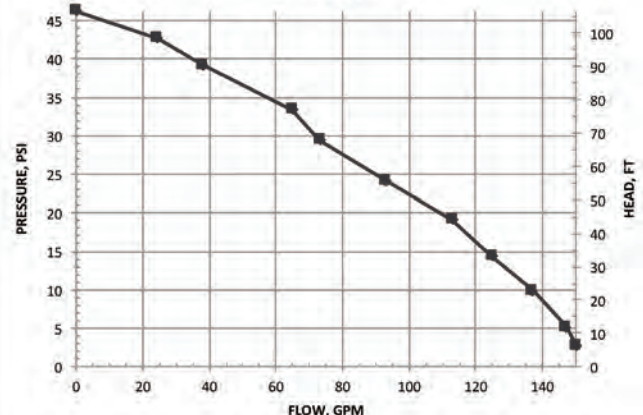
## SPOOL VALVE INFORMATION

REQUIRED OUTLET FLOW	MIN 6 GPM / MAX 10 GPM
REQUIRED SYSTEM PRESSURE	MIN 500 PSI / MAX 2000 PSI

## REPLACEMENT PARTS 2" HYDRAULIC ADAPTER

ITEM	PART NO	DESCRIPTION	QTY
1	17049ASS	SS HYDRAULIC MOTOR ADAPTER	1
2	17018	GASKET ADAPTER	1
3	17035SS	SEAL ASSEMBLY	1
N/S	17007	7/8" SS SHAFT SLEEVE	1
4	17056	SKF 6206-2RS1 BEARING	1
5	17055A	HYDRAULIC ADAPTER SHAFT	1
6	HY1013	GRESEN® HYDRAULIC MOTOR	1
7	V20018	LOCK WASHER	2
8	18010SS	BOLT	2

## 200PHYSS



# CENTRIFUGAL PUMPS

## 3" STAINLESS STEEL PUMPS

### FEATURES

- 316 stainless steel housing and wettable internal components including impeller, sleeve, wear plate and fasteners
- Carbon ceramic seal with 316 stainless steel cup and spring with FKM elastomer
- Replaceable inlet and outlet flanges
- Dynamically balanced impeller
- Pump only packs complete and ready for attachment to gasoline engine
- Pedestal pump for long coupling to electric motor
- Recommendation for 5/8" shaft: 56C frame size, 3 HP, 3450 RPM & 5" max impeller for close coupling to electric motors
- Recommendation for 7/8" shaft: 145TC frame size, 3 HP, 3450 RPM & 5" max impeller for close coupling to electric motors
- Engine warranty service available at authorized dealers
- Due to weight and size of pumps, Banjo ships these by truck only.



### 3" STAINLESS STEEL PUMPS W/GAS ENGINES

PART NO	DESCRIPTION	HP	QTY	SKID QTY
300PH13SS	3" SS PUMP W/13 HP HONDA® ENGINE W/ELECTRIC START & PULL ROPE	13	1	6



### 3" STAINLESS STEEL PUMP ONLY

PART NO	DESCRIPTION	HP	QTY	SKID QTY
300PO-SS	3" SS PUMP ONLY W/ 1" SHAFT SLEEVE	N/A	1	8



### 3" STAINLESS STEEL BEARING PEDESTAL

PART NO	DESCRIPTION	HP	QTY	SKID QTY
300PB-SS	3" SS BEARING PEDESTAL W/ 1" STRAIGHT SHAFT	N/A	1	8



### 3" STAINLESS STEEL PUMPS W/ HYDRAULIC MOTOR

PART NO	DESCRIPTION	HP	QTY	SKID QTY
300PHYSS	3" STAINLESS STEEL PUMP W/ 21 HP HYDRAULIC MOTOR	12	1	8



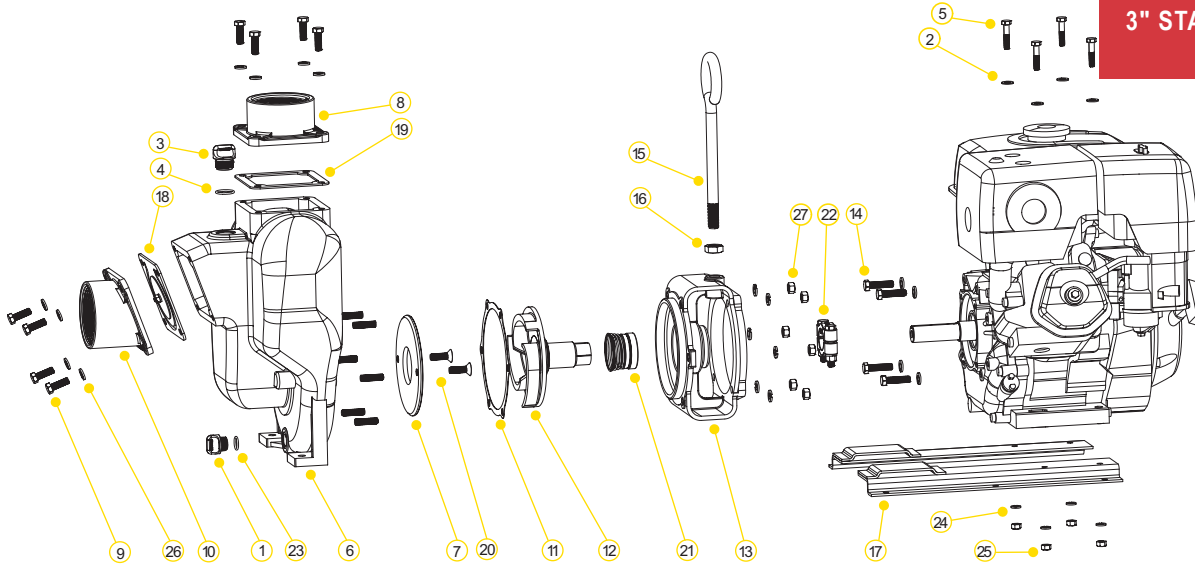
WARNING! DO NOT RUN PUMP DRY, RESTRICT OR REDUCE PORT SIZES OR DEAD HEAD PUMP



WARNING! DO NOT USE WITH FLAMMABLE LIQUIDS

# CENTRIFUGAL PUMPS

## 3" STAINLESS STEEL PUMPS

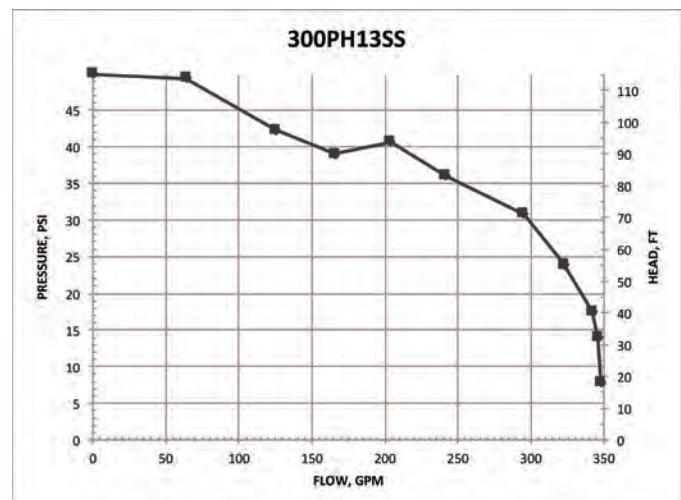


### REPLACEMENT PARTS 3" STAINLESS STEEL PUMPS

ITEM	PART NO	DESCRIPTION	QTY
1	1277SS	½" STAINLESS STEEL PLUG	1
2	12901	SS REAR BRACKET WASHER	4
3	1377SS	¾" STAINLESS STEEL PLUG	1
4	13778V	O-RING FKM	1
5	N/A	⅝" - 18 X 1¾" ZINC PLATED	4
6	18001SS	SS PUMP HOUSING	1
7	18004SS	SS WEAR PLATE	1
8	N/A	3" NPT OUTLET FLANGE	1
9	18010SS	⅜" - 16 X 1½" 8" SS CAP SCREW HXHD	8
10	N/A	3" NPT INLET FLANGE	1
11	18021	ADAPTER GASKET	1
12	18023SS	1" SS IMPELLER & DRIVE SHAFT FOR GAS ENGINE	1
12	18023-1.125SS	1¼" SS IMPELLER & DRIVE SHAFT FOR ELECTRIC MOTOR (300PO-SSCF)	1
13	18026SS	ADAPTER FOR GAS ENGINE	1
13	18049SS	ADAPTER FOR HYDRAULIC MOTOR (300PHYSS)	1
14	18027	⅜" - 16 X 1½" HHCS	4
15	18033	HANDLE	1
16	18034	⅝" SS JAM NUT	1
17	18035	Z RAILS	1
18	18042	FKM GASKET CHECKVALVE ASSEMBLY	1
19	18044	FKM OUTLET GASKET	1
20	18106SS	WEAR PLATE FLAT HEAD SCREW	2
21	18025SS	FKM SEAL ASSEMBLY	1
22	18129	CLAMP ASSEMBLY	1
23	UV15163V	O-RING FKM	1
24	V10118	⅝" LOCK WASHER	4
25	V10119	⅝" - 18 SS HEX NUT	4
26	V20018	⅜" SS LOCK WASHER	18
27	V20019	⅜" 16 SS HEX NUT	6
KIT	18100SS	REPAIR KIT (CONSIST OF ITEMS 7, 11, 12, 20 & 21)	1

### KITS 3" SS STEEL PUMPS

PART NO	FKM REPAIR KIT NO
300PH13SS	18100SS
300PB-SS	18100SS
300PO-SS	18100SS



Note: Please see repair parts list for 300PHYSS on our website.

# REFERENCE

PART NO	PAGE NO(S)	WEIGHT	PART NO	PAGE NO(S)	WEIGHT	PART NO	PAGE NO(S)	WEIGHT
12046	103, 133	0.5	15752	133, 131	0.002	17026	123, 127, 129	21.23
12049	6, 105, 115	1.1	15772	131, 133, 143	1.75	17028	123	0.16
12052	103, 133	N/A	15999	131, 133	0.282	17032	125	0.036
12099	99, 103, 105, 107, 111, 113, 115, 131, 133	0.07	16001	141	4.808	17033	123, 131	3.018
12155	101, 109, 117, 119	1.19	16003	141	5.688	17035	123, 127, 129	0.18
12705	99, 101, 103, 105, 107, 109, 111, 113, 115, 117, 119, 131, 133, 143, 145	0.26	16011	141	0.098	17040	119, 145	0.028
12709	101, 109, 117, 119, 143, 145	0.001	16019	141, 147	0.068	17042	123, 127, 149, 151, 153	0.02
12710	99, 103, 105, 107, 111, 113, 115, 131, 133	0.01	16099	141	0.25	17046	123, 127	7.572
12713	99, 103, 105, 107, 111, 113, 115	0.11	16702	141, 147	11	17049A	6, 129	10.738
12716	99, 103, 107, 111, 113, 131	0.02	16704	141	41.5	17056	129, 153	0.462
12717	99, 101, 103, 105, 107, 109, 111, 113, 115, 117, 119, 131, 133, 143, 145	0.001	16706	141	0.888	17100	123	4
12720	99, 101, 103, 105, 107, 109, 111, 113, 115, 117, 119	0.03	16707	147	4	17123	123, 125, 149	0.384
12723	91	0.01	16710	141	0.002	17130	123, 125, 127	0.022
12724	91	0.001	16712	147	58	17202	125	3.738
12725	99, 101, 103, 105, 107, 109, 111, 113, 115, 117, 119	0.002	16713	141	0.2	17208	125	1.802
12754	99, 101, 103, 105, 107, 109, 111, 113, 115, 117, 119	0.002	16733	141	55	17226	125	25.21
12756	103, 133	1.44	16751	141	0.024	17235	125	0.35
12766	101, 109, 119	0.08	16752	141	0.004	17242	125	0.032
12772	99, 101, 103, 105, 107, 109	0.21	16765	141, 147	0.098	17406	127, 151	0.638
12777	49, 87, 91, 99, 101, 103, 105, 109, 117, 123, 125, 127, 129, 135, 137, 139, 143, 145	0.018	16773	141	3.452	17408	127	2
12900	99, 101, 103, 105, 107, 109, 111, 113, 115, 117, 119	0.008	16774	141	2.75	17446	127	18
12901	99, 103, 105, 107, 111, 113, 115, 131, 133, 143, 145, 155	0.004	16775	147	4.242	17701	103, 127, 133, 151	29.5
13034	101, 109, 113, 117, 119	N/A	16901	119, 117, 141, 143, 145, 147	0.01	17704	103, 127, 133, 135, 137, 141, 151	0.046
13055	117, 143, 145	0.674	17000	123, 125, 127, 131	1.528	18001	135, 137, 139	65.65
13702	109, 111, 113, 117, 119	1.479	17001	123	1.472	18004	135, 137, 139	1.628
13712	111, 115, 117	4.018	17002	123, 125, 127	1.888	18008	135, 137, 139	3.802
13719	101, 109, 117, 119, 143, 145	0.012	17003	123	1.926	18009	135, 137, 139	0.036
13765	111, 113, 141	0.05	17004	123	6.19	18012	135, 137, 139	3.906
13766	117, 143	0.084	17005	123, 149	0.376	18013	135, 137, 139	0.53
13771	111, 113, 117	0.204	17006	123, 149	0.25	18021	135, 137, 139, 155	0.012
13772	111, 113, 115, 117, 119	0.223	17007	123, 127, 129, 149, 153	0.216	18025	127, 135, 139	0.39
13777	51, 95, 111, 113, 115, 131, 133, 135, 137, 139, 141, 143, 145, 147	0.025	17008	123, 127, 129	2	18026	135	9.91
13778	51, 95, 111, 113, 115, 131, 133, 135, 137, 139, 141, 143, 145, 147	0.002	17010	123, 125, 127, 129, 131, 133, 139, 149, 151, 153	0.036	18027	141, 147, 155	0.056
13999	111, 113, 115	0.266	17011	123, 125, 127	0.866	18029	135, 139	0.63
15000	131, 133	2.244	17013	123, 125, 127, 131	0.034	18033	135, 137, 139, 141, 143, 145, 147, 155	1.236
15022	123, 125, 127, 129, 131, 133, 149, 151, 153	1.124	17014	149, 151, 153	0.042	18034	135, 137, 139, 141, 143, 145, 147, 155	0.048
15025	144	N/A	17016	123, 125, 127	0.214	18035	135, 155	2.73
15035	117	0.35	17017	149, 151, 153	0.262	18042	155	0.584
15702	131, 133	9.086	17018	123, 125, 127, 129, 149, 151, 153	0.01	18044	155	0.056
15703	131, 133	14.978	17019	123, 125, 127, 131, 149, 151, 153	0.024	18048	135	12.788
15712	131, 133	26.082	17023	123, 149	0.386	18049	135, 139	20.516
15751	103, 113, 131, 133	0.014	17024	123, 127, 129, 149, 153	0.128	18055	135, 139	0.834

# REFERENCE

PART NO	PAGE NO(S)	WEIGHT	PART NO	PAGE NO(S)	WEIGHT	PART NO	PAGE NO(S)	WEIGHT
18056	139	0.1	125C	73, 74	0.29	150B	73, 74	0.57
18100	135, 139	7.2	125D	73, 74	0.31	150C	73, 74	0.57
18106	135, 137, 139	0.04	125E	73, 74	0.11	150C90	77	0.62
18129	127, 135, 137, 151, 155	0.64	125F	73, 74	0.98	150CAP	73, 74	0.54
18206	137	4.8	12600B	105, 115, 131	14	150D	73, 74	0.59
18218	135, 137, 139	1.436	12702A	99, 101, 103, 105, 107, 109	1.21	150D90	77	0.65
18435	147	1	12703A	99, 103, 105, 107, 111, 113, 115	2.37	150E	73, 74	0.21
18500	135, 137, 141	13	12703AW	117	2.79	150F	73, 74	0.21
18502	135, 139, 145	0.802	12705V	99, 103, 117	0.24	150F90	77	0.267
18504	135	1.928	12707W	101, 109, 119	2.79	150G	47, 70, 76	0.015
18511	141	3.404	12709V	117	0.001	150GV	47, 70, 76	0.3
18512	141	0.036	12710V	99, 103	0.01	150PL	73, 74	0.16
18600	139	N/A	12712A	99, 101, 103, 105	3.25	150POICF5/8-4.1	122	47
18700	97	1.728	12713V	99, 103, 131, 133	0.12	150RING	76	0.026
18702	139, 141	1.794	12715A	99, 105, 107, 111, 113, 115, 131, 133, 143, 145	0.05	15999V	131, 133	0.288
050C	73	0.14	12717V	99, 103, 117	0.01	16704A	141	41.5
050D	73	0.16	12719A	99, 101, 103, 105, 107, 109, 111, 113, 115, 119, 131, 133, 143, 145	0.05	16774A	141	2.931
050E	73	0.05	12719AV	99, 103	0.05	17000SS	149, 151, 153	1.58
050F	73	0.06	12754V	99, 103, 117	0.01	17002SS	149, 151, 153	2.038
075C	73, 74	0.15	12765A	99, 103, 105, 107, 111, 113, 115, 131, 133	0.05	17008-4.1	123	1.534
075CAP	73, 74	0.13	12771A	99, 107	0.22	17008SS	149, 153	2
075D	73, 74	0.15	12775A	99, 101, 103, 105, 107, 109, 111, 113, 115, 117	0.01	17009B	123, 125, 127, 129, 149, 151, 153	0.022
075E	73, 74	0.06	12777SS	149, 151, 153, 155	0.14	17011SS	149, 151, 153	0.888
075F	73, 74	0.06	12882A	99, 111, 113, 123, 125, 131, 149	7.6	17026SS	149, 151, 153	32
100125CAP	73, 74	0.27	12883B	123	0.146	17035SD	123	0.13
100125PL	73, 74	0.06	12902A	99, 101, 103, 105, 107, 109, 111, 113, 115, 117, 119, 131, 133, 143, 145	0.006	17035SS	149, 153	0.18
100A	73, 74	0.09	12999A	99, 103, 105, 107	0.25	17046SS	149	8.804
100B	73, 74	0.29	12999AV	99, 103, 107	0.32	17055A	129, 153	1.75
100C	73, 74	0.27	13719V	117	0.019	17056E	105, 115	2
100D	73, 74	0.31	13777SS	155	0.205	17100SS	149	3.384
100E	73, 74	0.1	13778V	155	0.002	17130SS	149, 151, 153	0.02
100F	73, 74	0.11	150(200)K	76	0.134	17201A	125	8.736
100G	70, 76	0.2	15000V	131, 133	2.364	17206A	125	0.628
100GV	70, 76	0.02	150125A	73, 74	0.197	17408SS	151	2.106
100RING	76	0.01	150125B	73, 74	0.26	17446SS	151	10.818
12000A	99, 103, 105, 107, 111, 113, 115	0.75	150125C	73, 74	0.568	18001SS	155	57.5
12000AV	99, 103, 107	0.9	150125D	73, 74	0.31	18004SS	155	1.616
12055E	105, 115	0.57	150125E	73, 74	0.16	18010SS	105, 115, 129, 135, 137, 139, 153, 155	0.044
12201W	117	1.46	150125F	73, 74	0.18	18023-1.125	135	4.322
12202W	101, 109, 117, 119	1.46	15035E	101, 109, 117, 119, 137, 143, 145	0.386	18023SS	135, 139, 155	4.32
125A	73, 74	0.1	150A	73, 74	0.18	18025SD	135, 139	0.32
125B	73, 74	0.3	150A90	77	0.307	18025SS	151, 155	0.25

# REFERENCE

PART NO	PAGE NO(S)	WEIGHT	PART NO	PAGE NO(S)	WEIGHT	PART NO	PAGE NO(S)	WEIGHT
18026SS	155	10.11	200PH6	98	N/A	234PIE51	126	200
18055H	145	0.75	200PHA	104	25	234POI	126	N/A
18100SS	155	7.5	200PHY	104	21.308	234PPE5	102	135
18106SS	155	0.04	200PHYSS	152	52	234PPE51	102	145.5
18200A	137	31.6	200PHYW	104	28	234PPE51V	102	145
18202A	137	4.918	200PI-3	122	81	234PPE5V	102	123
18203A	137	4.92	200PI6PRO	122	81.5	250CAP	75	0.68
19001H	145	10.7	200PIH-5	122	81.5	300A	75	0.48
19201W	143, 145	10	200PIH5E	122	N/A	300B	75	1.17
19703W	143, 145	17.006	200PIHY	128	48	300C	75	1.4
19772SS	143, 145	N/A	200PKL	76	0.02	300CAP	75	1.07
200150C	75	0.66	200PL	75	0.21	300D	75	1.19
200A	75	0.3	200PO	98	7.286	300E	75	0.78
200A90	77	0.461	200POI	122	52.5	300F	75	0.57
200B	75	0.64	200POICF5/8	122	47	300F200F	76	0.609
200B90	77	0.948	200POICF7/8	122	47	300FF	76	0.644
200C	75	0.69	200PO-SS	148	47	300G	47, 70, 76	0.04
200C90	77	0.78	200POSSCF5/8	148	47	300GV	47, 70, 76	0.06
200CAP	67, 75	0.6	200PO-V	98	10	300K	76	0.23
200CAPSH	67, 75	0.52	200SBS	97	0.25	300P	76	0.036
200D	75	0.66	201B	75	0.71	300P11PRO	110	81
200D90	77	0.88	201CAPSH	67	0.566	300P11PROW	116	67
200E	75	0.32	201FPT	67	0.04	300PB	110	20
200F	75	0.31	201PBIW	124	58	300PBI	134	125
200F45	77	0.346	201PIH5W	124	94	300PB-SS	154, 155	99
200F90	77	0.434	201POIW	124	59	300PBW	121	26
200FF	76	0.331	202CAP	67	0.34	300PH13SS	124	150
200G	47, 70, 76	0.02	205PB	98	16	300PH13W	116	103
200GV	47, 70, 76	0.03	205PB-V	98	16	300PH-6	110	50
200KL	76	0.18	205POW	100	8.5	300PH6W	116	56
200P	76	0.17	211FPT	67	0.03	300PHY	114	26
200P6PRO	98	50	222PBI	130	70	300PHYSS	154	140
200P6PROE	98	N/A	222PI6PRO	130	100	300PHYW	114	N/A
200P6PROV	98	51	222PIE5	132	180	300PIH13	134	176
200PB	98	15.786	222PIE51	132	190	300PIHY	138	140
200PBI	122	48	222PIH5	130	82	300PL	75	0.43
200PB-SS	148	52	222PIH5E	130	110	300PO	110	12.005
200PH-5	98	51	222PIH6	130	110	300POI	134	106
200PH-5E	98	N/A	222POI	130	60	300PO-SS	155	115
200PH5-SS	148	105	231MPT	67	0.074	300POW	116	15.3
200PH-5V	98	48	234PE5SS	150, 151	168	300POW6	116	N/A
200PH5W	100	53	234PIE5	126	160	300SBS	97	0.25

# REFERENCE

PART NO	PAGE NO(S)	WEIGHT	PART NO	PAGE NO(S)	WEIGHT	PART NO	PAGE NO(S)	WEIGHT
301PBIW	136	135	AF400	72	1.587	CPLG075	79	0.11
301PIH13W	136	N/A	AF400G	72	0.45	CPLG100	79	0.13
301POIW	136	130	AF400GV	72	0.45	CPLG125	79	0.19
303B	75	1.634	AFB200	72	0.698	CPLG150	79	0.3
303B200A	75	1.554	AFB300	72	1.42	CPLG200	79	0.34
303C	73, 75	1.74	BEM5-182CZ	133	95	CPLG300	79	0.836
305PHAW	114	N/A	BF075	68	0.82	CR025	6, 80	0.04
333PBI	140	185	BF075BD	69	0.88	CR038	6, 80	0.05
333PIE15	140	242	BF100	68	0.82	CR050	80	0.13
333PIH13	140	285	BF100BD	69	0.9	CR075	80	0.35
333POI	140	90	BF100GE	68, 69	0.07	CR100	80	0.27
400A	75	1.27	BF100GRE	69	0.01	CR125	80	0.726
400B	75	2.03	BF100GRV	69	0.01	CR150	80	0.571
400C	75	2.39	BF150	68	1.26	CR200	80	0.744
400CAP	75	1.44	BF150BD	69	1.32	CV050	18	0.27
400D	75	2.07	BF200	68	1.07	CV100	18	0.222
400E	75	1.786	BF200BD	69	1.2	CV100MT	18	0.17
400F	75	1.42	BF200GE	68, 69	0.05	CV10175	101, 109, 117, 119, 143, 145	0.2
400G	76	0.06	BF200GFV	69	0.05	CV10175V	117	N/A
400PL	75	1.11	BF200GV	68, 69	0.05	CV221	18	1
444PIH24	146	345	BF200V	68	1.07	CV300	18	1.45
444POI	146	120	BF220	68	1.45	CV301	18	1.518
75A1/2	73	0.07	BF220BD	69	1.5	DF100A	5, 62	N/A
75A1/4	73	0.08	BF220GE	68, 69	0.154	DF100D	5, 62	N/A
75A3/4	73, 74	0.05	BF220GV	68, 69	0.08	DB20153M	54, 55	0.158
75B1/2	73	0.14	BF300	68	2.264	DB20290	54, 55	0.004
75B3/4	73, 74	0.14	BF300BD	69	2.42	DB20295	54, 55	N/A
75G	76	0.1	BF300GE	68, 69	0.2	DM100ABSS	58	3.5
75PL	73, 74	0.05	BF300GFE	69	0.02	DM100ASS	58	3.5
A204	99, 101, 103, 105, 107, 109, 111, 113, 115, 117, 119, 131, 133, 143, 145	0.001	BF300GFV	69	0.02	DM100CAP	58	0.19
A204V	99, 103, 117	N/A	BF300GV	68, 69	0.1	DM100DBSS	58	3.75
AF100	72	0.304	CAP038	80	0.03	DM100DSS	58	3.75
AF100G	72	0.06	CAP050	80	0.06	DM100DSSE	58	3.75
AF100GV	72	0.06	CAP075	80	0.052	DM100PL	58	0.234
AF150	72	0.43	CAP100	80	0.09	DM101SS	58	0.346
AF150G	72	0.08	CAP125	80	0.13	DM10294A	58	0.01
AF200	72	0.657	CAP150	80	0.12	DM10295A	58	0.006
AF200G	72	0.17	CAP200	80	0.25	DM10296	58	0.1
AF200GV	72	0.17	CAP300	80	0.59	DM102SSV	58	0.386
AF300	72	1.175	CPLG025	79	0.03	DM150A	54	2.64
AF300G	72	0.17	CPLG038	79	0.026	DM150AB	54	2.2
AF300GV	72	0.17	CPLG050	79	0.09	333POICF	6, 140	190

# REFERENCE

PART NO	PAGE NO(S)	WEIGHT	PART NO	PAGE NO(S)	WEIGHT	PART NO	PAGE NO(S)	WEIGHT
DM150ABSS	59	6.3	DM220DBSS	61	7	EVX220BL	23	6.253
DM150AE	54	2.75	DM220DSS	61	9.8	EVX220SL	23	6.253
DM150ASS	59	6.35	DM221PL	56	N/A	EVX221	21	5.052
DM150D	54	2.64	DM221SS	61	0.206	EVX300	22	9.24
DM150DB	54	2.2	DM222SS	61	0.216	EVXR071	20	N/A
DM150DBSS	59	6.9	DM25153M	56	0.457	EVXR101	20	3.96
DM150DE	54	2.82	DM25200	56	N/A	EVXR151	20	4.45
DM150DSS	59	6.9	DM25294	61	N/A	EVXR201	21	5.33
DM150DSSE	59	6.9	DM25294T	61	0.048	EVXR221	21	5.92
DM200A	55	3.007	DM300ACF	37	7.72	EVXR300	22	9.24
DM200AB	55	2.2	DM300AFP	57	4.8	FC100	47	0.25
DM200ABSS	60	5.768	DM300CAP	57	2.82	FC200	47	0.23
DM200ACAP	59, 60	1	DM300DCF	37	8.4	FC220	39, 47	0.25
DM200ACF	37	3.15	DM300DFP	57	8.4	FC220B	47	1.364
DM200AE	55	2.75	DM300PL	57	0.509	FC220TB	47	0.43
DM200APL	59, 60	0.49	DM35153F	57	0.463	FC300	39, 47	0.34
DM200ASS	60	6.2	DM35153M	57	0.659	FC300B	47	1.76
DM200AT	6, 55	2.2	DM35200	57	N/A	FC300TB	47	0.52
DM200CAP	54, 55	0.38	DMMT201A	55	2.5	GHFT075A	77	0.06
DM200D	55	2.75	DPCF100	63	0.5	GHFT075D	77	0.17
DM200DB	55	2.2	DPCM100	63	0.25	GHFT075G	77	0.025
DM200DBSS	60	6.9	DPCMT100	63	0.27	GHFT075MPT	77	0.04
DM200DCF	37	2.75	EL025-90	81	0.016	GHMT075B	77	0.14
DM200DE	55	3	EL038-90	81	0.04	GHMT075F	77	0.05
DM200DSS	60	6.9	EL050-90	81	0.07	GHMT075FPT	77	0.04
DM200DSST	60	6.9	EL075-90	81	0.1	GHMT075MPT	77	0.04
DM200DT	6, 55	2.75	EL100-45	81	0.14	GHN075	77	0.6
DM200PL	54, 55	0.49	EL100-90	81	0.15	H25053	7	0.265
DM20153F	54, 55	0.251	EL125-90	81	0.22	HB025	82	0.01
DM20153M	54, 55	0.417	EL150-90	81	0.33	HB025/038-90	82	0.01
DM201SS	59, 60	1.158	EL200-90	81	0.434	HB025/050-90	82	0.022
DM20200A	54, 55	0.242	EL300-90	81	1.195	HB025-038	82	0.012
DM20200D	54, 55	0.254	EVX071	20	3.82	HB025-038SS	82	0.07
DM20294A	54, 55, 59, 60	0.016	EVX100BL	23	4.313	HB025-050	82	0.015
DM20295A	54, 55	0.01	EVX100SL	23	4.313	HB025-050SS	82	0.07
DM20296	54, 55, 59, 60	0.125	EVX101	20	3.892	HB025-90	82	0.01
DM202SSV	59, 60	1.32	EVX121	20	3.832	HB025SS	82	0.04
DM220A	56	4.3	EVX151	20	N/A	HB038	82	0.01
DM220ABSS	61	0.43	EVX200BL	23	4.876	HB038-025	6, 82	0.02
DM220ASS	61	7.8	EVX200SL	23	4.876	HB038-050	82	0.02
DM220CAP	56, 61	1	EVX201	21	4.312	HB038-050SS	82	0.1
DM220D	56	5.482	EVX220	25	4.92	HB038-90	82	0.02



# REFERENCE

PART NO	PAGE NO(S)	WEIGHT	PART NO	PAGE NO(S)	WEIGHT	PART NO	PAGE NO(S)	WEIGHT
HB038SS	82	0.09	HB150-200	82	0.19	HM200	83	0.22
HB050	82	0.03	HB150-90	82	0.23	HM300	83	0.763
HB050/038-90	82	0.024	HB150SS	82	0.68	HSV1000	104, 114, 128, 138, 144 , 152	11
HB050/075-90	82	0.04	HB200	82	0.2	HV200	38	0.58
HB050-025	82	0.03	HB200/150-90	82	0.22	HY1001	139	1.5
HB050-038	82	0.02	HB200-150	82	0.18	HY1003	105, 115	1.5
HB050-058SS	82	0.128	HB200-90	82	0.33	HY1012	139, 145	13.2
HB050-075	82	0.03	HB200SS	82	1.13	HY1013	105, 115, 153	4.5
HB050-075SS	82	0.2	HB300	82	0.703	L200B	76	0.64
HB050-90	82	0.03	HB300-90	82	1.078	L200C	76	0.7
HB050SS	82	0.13	HB300SS	82	3.55	L200CAP	76	0.62
HB075	82	0.04	HB400	82	1.64	L200D	76	0.736
HB075/050-90	82	0.04	HBB20012590	81	0.25	LEV038	24	0.55
HB075/100-90	82	0.05	HBC050075	80	0.028	LEV038PL	24	0.08
HB075-038	82	0.03	HBEL100-90	81	0.06	LEV050	24	0.6
HB075-050	82	0.03	HBEL150/100-90	81	0.197	LS050-20	90	0.35
HB075-050SS	82	0.2	HBF075	82	0.06	LS050-40	90	0.35
HB075-058	82	0.038	HBF075-100	82	0.08	LS050-80	90	0.37
HB075-100	82	0.05	HBF075-90	82	0.06	LS050B/C1	91	0.298
HB075-100SS	82	0.25	HBF100	82	0.09	LS075-20	90	0.3
HB075-90	82	0.05	HB100-90	6, 82	0.07	LS075-40	90	0.33
HB075SS	82	0.2	HBT038	83	0.03	LS075-80	90	0.35
HB100	82	0.06	HBT050	83	0.03	LS075B/C1	91	0.28
HB100/075-90	82	0.06	HBT050-038	6, 83	0.02	LS075-G	91	0.004
HB100/125-90	82	0.1	HBT050-075	83	0.03	LS100-20	90	0.91
HB100-075	82	0.06	HBT075	83	0.05	LS100-40	90	0.9
HB100-075SS	82	0.3	HBT075-050	83	0.04	LS100-80	90	0.96
HB100-125	82	0.08	HBT075-050SS	83	0.246	LS100B/C1	97	0.872
HB100-90	82	0.07	HBT075-100	83	0.06	LS100-C1	49, 91	0.232
HB100SS	82	0.3	HBT100	83	0.08	LS100-G	49, 91	0.02
HB125	82	0.1	HBT100-075	83	0.06	LS100-GV	91	0.02
HB125/100-90	82	0.09	HBT100-100	83	0.08	LS120	49, 91	0.07
HB125/150-90	82	0.09	HBT150-100	83	0.218	LS125-20	90	0.86
HB125-075	82	0.08	HBT150-150	83	0.235	LS125-40	90	0.84
HB125-100	82	0.09	HBT200	83	0.388	LS125-80	90	0.9
HB125-150	82	0.1	HBT300	83	1.161	LS125B/C1	91	0.826
HB125-90	82	0.11	HM038	83	0.03	LS140	49, 91	0.07
HB125SS	82	0.5	HM050	83	0.01	LS150-06	92	2.42
HB150	82	0.13	HM075	83	0.026	LS150-12	92	2.42
HB150/125-90	82	0.16	HM100	83	0.04	LS150-120	92	2.5
HB150-100	82	0.09	HM125	83	0.07	LS150-20	92	2.42
HB150-125	82	0.1	HM150	83	0.08	LS150-30	92	2.5

# REFERENCE

PART NO	PAGE NO(S)	WEIGHT	PART NO	PAGE NO(S)	WEIGHT	PART NO	PAGE NO(S)	WEIGHT
LS150-50	92	2.5	LSQ200-30	88	4.17	LST116	49, 87	0.084
LS150-80	92	2.5	LSQ200-50	88	4.17	LST125-16	86	2.032
LS150B/C	93	1.91	LSQ200-80	88	4.17	LST125-30	86	2.22
LS150-C	49, 93	0.576	LSQ200-B/C	89	3.63	LST125-50	86	2.24
LS150-G	49, 93	0.03	LSQ200-C	89	1.74	LST125-80	86	2.18
LS150-GV	49, 93	0.03	LSQ200-G	89	0.05	LST125-HB	87	1.846
LS180	49, 93	2.12	LSQ200-GV	6, 89	0.162	LST130	49, 87	0.07
LS200-06	92	2.5	LSQ200-PL	49, 51, 87, 89, 93	0.042	LST150	49, 87	0.07
LS200-100	92	2	LSQ200-R	49, 51, 87	0.002	LST150-100	86	1.9
LS200-12	92	2.33	LSQ200R1	89	0.002	LST150-30	86	2.12
LS200-120	92	2	LSQ200-RV	89, 93	0.004	LST150-50	86	2.15
LS200-20	92	2.33	LSS300-BC	94, 95	23.88	LST150-80	86	2.13
LS200-30	92	2.42	LSS300-C	6, 94, 95	2.91	LST150-B	49, 87	0.22
LS200-50	92	2.42	LSS300-G	94, 95	0.1	LST150-G	49, 87	0.014
LS200-80	92	2.42	LSS300-GV	94, 95	0.044	LST150-GV	49, 87	0.024
LS200B/C	93	2	LSS300-H	95	1.724	LST150-HB	87	1.794
LS206	49, 89, 93	0.3	LSS300-S	94, 95	0.032	LST15100	49, 87	0.27
LS2100	93	0.09	LSS300-SV	94, 95	0.05	LST1516	49, 87	0.196
LS212	49, 89, 93	0.29	LSS306	95	0.198	LST1530	49, 87	0.17
LS2120	49, 89, 93	0.08	LSS308	95	0.256	LST1550	49, 87	0.15
LS220	49, 89, 93	0.2	LSS312	95	0.37	LST1580	49, 87	0.1
LS230	49, 89, 93	0.188	LSS320	95	0.4	LST180	49, 87	0.07
LS250	49, 89, 93	0.13	LSS330	95	0.368	LST200-10SS	88	16
LS250P	93	0.116	LSS350	95	0.366	LST200-50SS	88	16
LS280	49, 89, 93	0.1	LST075-100	86	0.83	LST200-B	89	1.946
LS300EC	51, 95	0.626	LST075-16	86	0.824	LST200-GV	89	0.04
LS304	51, 95	0.598	LST075-30	86	0.84	LST200-HSS	89	1.614
LS308	51, 95	1.106	LST075-50	86	0.84	LST204SS	51, 89	0.416
LS312	51, 95	4.31	LST075-80	86	0.83	LST206SS	51, 89	0.382
LS320	51, 95	1.03	LST075-H	87	0.516	LST208SS	51, 89	0.326
LS350	51, 95	0.92	LST075-HB	87	0.738	LST2100SS	51	0.45
LS720	91	0.04	LST100-100	86	0.76	LST210SS	51, 89	0.48
LS740	91	0.04	LST100-16	86	0.78	LST216SS	51, 89	0.27
LS780	91	0.04	LST100-30	86	0.79	LST220SS	6, 89	N/A
LSM300-04	94	8	LST100-50	86	0.81	LST230SS	51, 89	0.49
LSM300-08	94	8	LST100-80	86	0.78	LST250SS	51, 89	0.49
LSM300-12	94	8	LST100-B	49, 87	2.17	LST280SS	51, 89	0.48
LSM300-20	94	8	LST100-G	49, 87	0.02	LST5100	85	0.016
LSM300-50	94	8	LST100-GV	49, 87	0.02	LST530	85	0.05
LSQ150-B/C	6, 88, 89	3.8	LST100-H	87	0.472	LST550	85	0.024
LSQ200-06	88	4.17	LST100-HB	87	2.25	LST580	85	0.02
LSQ200-20	88	4.17	LST1100	49, 87	0.07	LSTM050-30	84	0.76

# REFERENCE

PART NO	PAGE NO(S)	WEIGHT	PART NO	PAGE NO(S)	WEIGHT	PART NO	PAGE NO(S)	WEIGHT
LSTM050-30C	84	0.324	M100075HBT	46	0.1	M200100CPG	43	0.16
LSTM050-50	84	0.3	M100075MPT	44	0.052	M200100TEE	43	0.525
LSTM050-50C	84	0.76	M100100HBT	46	0.09	M200125BRB	46	0.16
LSTM050-80	84	0.76	M100125BRB	46	0.08	M200125BRB45	46	0.18
LSTM050-80C	84	0.316	M100125BRB90	46	0.11	M200125BRB90	46	0.21
LSTM050B	85	0.103	M100125BRBSWP90	41	0.15	M200125MPT	44	0.2
LSTM050BC	85	0.12	M100125MPT	44	0.114	M200125MPTSS	44	0.2
LSTM050G	85	0.02	M100150BRB90	46	0.17	M200150BRB	46	0.17
LSTM050H	85	0.176	M100A	45	0.07	M200150BRB45	46	0.17
LSTM075-30	84	0.76	M100BRB	46	0.066	M200150BRB90	46	0.21
LSTM075-30C	84	0.31	M100BRB45	46	0.074	M200150BRBSWP90	41	0.431
LSTM075-50	84	0.288	M100BRB90	46	0.08	M200150FPT	44	0.344
LSTM075-50C	84	0.308	M100BRBSWP90	41	0.145	M200150MPT	44	0.23
LSTM075-80	84	0.76	M100BRBSWPG90	41	0.15	M200150MPTSS	44	0.23
LSTM075-80C	84	0.302	M100CPG	42	0.09	M200A	45	0.24
LSTM075H	85	0.161	M100CPG45	42	0.09	M200BRB	46	0.24
LV025MTV	8	0.06	M100CPG90	43	0.14	M200BRB45	46	0.262
LV025V	8	0.054	M100CR	45	0.24	M200BRB90	46	0.34
LV038050MTLV	8	0.07	M100FPT	44	0.09	M200CPG	42	0.43
LV038050MTV	8	0.058	M100G	47	0.02	M200CPG45	42	0.31
LV038MTV	8	0.07	M100GV	47	0.02	M200CPG90	43	0.626
LV038V	8	0.07	M100MPT	44	0.08	M200CPG90SH	43	0.423
LV050100MTLV	8	0.125	M100MPTSS	44	0.34	M200CR	45	0.692
LV050100MTV	8	0.11	M100PA	38	0.25	M200FPT	44	0.29
LV050MTV	8	0.096	M100PAC	38	0.32	M200MPT	44	0.26
LV050SLLV	8	0.12	M100PAT	38	0.65	M200MPTSS	44	0.81
LV050SLV	8	0.08	M100PLG	45	0.05	M200PLG	45	0.12
LV050V	8	0.084	M100PLG025	45	0.04	M200PLG025	45	0.084
LVHB038050MTV	8	0.064	M100PLG050	45	0.04	M200PLG038	45	0.09
LVHB038V	8	0.06	M100SWFSS	42	0.32	M200PLG050	45	0.09
LVHB050V	8	0.06	M100SWP90	41	0.126	M200PLG075	45	0.1
LVHB-075100MTLV	8	0.135	M100SWPG90	41	0.13	M200PLG100	45	0.11
LVHB075100MTV	8	0.13	M100TEE	43	0.2	M200SWFSS	42	0.68
LVHB075MTV	8	0.13	M101G	47	0.006	M200SWP90	41	0.365
LVHB075V	8	0.118	M101GSA	6, 42	0.07	M200TEE	43	0.611
LVPL025V	8	0.06	M101TEE	43	0.23	M200YG45	6, 43	1.3
LVPL038V	8	0.06	M102G	47	0.01	M201G	47	0.05
M100050FPT	44	0.06	M12712	107, 109	N/A	M202G	47	0.025
M100050HBT	46	0.086	M13712	113, 119	4.588	M220100BRB	46	0.15
M100075BRB	46	0.06	M19712X	143, 145	27.046	M220100CPG	43	0.15
M100075BRB90	46	0.06	M200100BRB	46	0.15	M220100TEE	43	0.403
M100075FPT	44	0.05	M200100BRB90	46	0.16	M220125BRB	46	0.16

# REFERENCE

PART NO	PAGE NO(S)	WEIGHT	PART NO	PAGE NO(S)	WEIGHT	PART NO	PAGE NO(S)	WEIGHT
M220150BRB	46	0.16	M222G	47	0.03	M300TEE	43	1.111
M220150BRB90	46	0.211	M300200CPG	43	0.267	M300Y45	39, 43	3.32
M220150MPTSS	44	0.65	M300220BRB	46	0.284	M300YG45	39, 43	3.258
M220200CPG	43	0.2	M300220BRB90	46	0.406	M301G	39, 47	0.03
M220200HBT	46	0.39	M300220CPG	39, 43	0.245	M301GSA	42	0.55
M220200SWP90	41	0.356	M300220MPTSS	44	1.332	M302G	47	0.05
M220200TEE	43	0.567	M300220SWP90	41	0.571	M303D	45	1.5
M220375SWFSS	42	1.35	M300300HBT	46	1.034	M305PHYW	118	26.4
M220A	45	0.2	M300375SWFSS	42	3.2	M332PIE101W	142	270
M220ASWP90	41	0.399	M300400A	4, 78, 121	0.712	M332PIE10W	142	N/A
M220BRB	46	0.19	M300400BRB	4, 78, 121	0.728	M332PIH13W	142	155
M220BRB45	46	0.225	M300A	45	0.35	M332PIHAW	144	N/A
M220BRB90	46	0.309	M300ASWP90	41	0.897	M332PIHYW	144	190
M220BRBSWP90	41	0.399	M300BRB	46	0.478	M332POIW	142	70.532
M220BWASS	44	0.5	M300BRB45	46	0.518	M350PBW	4, 121	34.1
M220CPG	42	0.21	M300BRB90	46	0.798	M350PE15W	5, 120	131.3
M220CPG3G	42	N/A	M300BRBSWP90	41	1.184	M350PEOW	4, 121	17.1
M220CPG45	39, 42	0.24	M300BRBSWPG90	6, 41	1.24	M350PH13W	5, 120	88.2
M220CPG6	39, 42	0.375	M300CPG	42	0.417	M350PHAW	4, 121	33.5
M220CPG90	43	0.341	M300CPG12	6, 42	1.01	M350PHYW	4, 121	40.9
M220CR	45	0.578	M300CPG12G	6, 42		M350POW	4, 121	17.1
M220D	45	0.73	M300CPG45	39, 42	0.518	M350PVAN14W	5, 120	102
M220FPT	44	0.26	M300CPG55G	6, 42		MBF100	52	0.9
M220MPT	44	0.21	M300CPG7	39, 42	0.632	MBF100BD	52	0.948
M220MPTSS	44	0.62	M300CPG90	43	0.745	MBF200	52	1.37
M220MPTSWP90	41	0.331	M300CR	45	1.215	MBF200BD	52	1.44
M220P6PRO	106, 107	N/A	M300FPT	44	0.514	MBF220	52	1.62
M220PH5	106, 107	55	M300MPT	44	0.437	MBF220BD	52	1.62
M220PH5W	108	55	M300MPTSS	44	1.85	MBF300	52	2.34
M220PH6	106, 107	55	M300MPTSWP90	41	0.833	MBF300BD	52	2.5
M220PLG	45	0.12	M300P11PRO	112	N/A	MBP200	65	0.26
M220PLG038	45	0.1	M300PB	112	N/A	MCV100	42	0.154
M220PLG075	45	0.11	M300PH6	112	45.4	MCV200	42	0.45
M220PO	106, 107	8.372	M300PH6W	118	49	MCV221	42	0.5
M220SWFSS	42	0.58	M300PLG	45	0.25	MCV300	42	1.224
M220SWP90	41	0.286	M300PLG075	45	0.23	MCV301	42	1.26
M220SWPG90	41	N/A	M300PLG100	45	0.248	MEVX100	26	3.82
M220TEE	43	0.522	M300PO	112	9.792	MEVX100BL	29	4.7
M220Y45	39, 43	1.316	M300POW6	118	16.24	MEVX100SL	29	4.7
M220YG45	39, 43	1.34	M300SWFSS	42	1.46	MEVX101	26	4.24
M221G	39, 43	0.03	M300SWP90	41	0.675	MEVX1012	30	9.6
M221GSA	42	0.258	M300SWPG90	41	0.75	MEVX1013	30	14.548

# REFERENCE

PART NO	PAGE NO(S)	WEIGHT	PART NO	PAGE NO(S)	WEIGHT	PART NO	PAGE NO(S)	WEIGHT
MEVX1014	30	19.485	MLS2100SS	51	0.54	MPRV100-100	37	1.5
MEVX102	30	9.073	MLS220C1	51	0.82	MPRV100-125	37	1.54
MEVX103	30	14.47	MLS220G1	51	0.008	MSUV100FP	17	0.46
MEVX200	27	4.22	MLS220R1	51	0.417	MSW220	42	0.4
MEVX200BL	29	N/A	MLS222-04	50	3.82	MTF100BD	6, 52	0.42
MEVX200SL	29	N/A	MLS222-10	50	3.5	MTF220BD	52	0.75
MEVX201	27	4.775	MLS222-16	50	3.7	MTF300BD	52	2.092
MEVX220BL	29	6.98	MLS222-30	50	3.75	MV100BL	36	1.2
MEVX220SL	29	N/A	MLS222-50	50	3.75	MV100CF	31	0.75
MEVX221	27	4.775	MLS222-80	50	3.7	MV100SL	36	1.13
MEVX300	28	8.98	MLS222B	51	2.2	MV200BL	36	2
MEVX300BL	29	N/A	MLS222BC	51	3.25	MV200CF	31	2.024
MEVXR100	26	2.491	MLS250SS	51	0.6	MV200SL	36	2
MEVXR100SL	29	4.7	MLS280SS	51	0.57	MV220BL	36	4.63
MEVXR101	26	3.82	MLS300-12	50	8	MV220CF	31	2.798
MEVXR200	27	2.882	MLS300-20	50	8	MV220SL	36	2.75
MEVXR200SL	29	3.979	MLS300-50	50	8.44	MV225CF	31	7.3
MEVXR220	27	3.405	MLS300B	51	5.01	MV300	31	3.9
MEVXR220SL	29	6.627	MLS300B1	95	5.357	MV300BL	36	6.68
MEVXR300	28	8.98	MLS300BC	51	7.48	MV300CF	31	5.866
MFM100	40	2.75	MLS300CAP	51, 95	1.36	MV301CF	39	6
MFM220	40	2.75	MLS300ECG	51, 95	0.024	MVS220CF	32, 39	1.744
MFM300	40	5.4	MLS300ECGV	51, 95	0.04	MVS220FP	32	1.804
MHV200	40	0.57	MLS300G	51, 95	0.03	MVS300CF	34	3.046
MHV220A	38, 39	0.8	MLST100-100	48	0.75	MVS300CFFP	34	3.75
MIS220	39	10.175	MLST100-30	48	0.75	MVS300HSFP	35	6.32
MIS300	39	23.06	MLST100-50	48	0.75	MVSF220FP	32	1.78
MLEV100	30	0.65	MLST100-80	48	0.75	MVSF300	34	3.29
MLEV100A	30	1.13	MLST100-H	49	0.467	MVSF300FP	34	4
MLEV100C	30	N/A	MLST100-HB	49	0.63	MVSMT220FP	32	1.75
MLS100-80	48	0.88	MLST150-100	48	2	MVSMT300	34	3.192
MLS100B	49	0.646	MLST150-30	48	2	MVSMT300HSFP	35	6.44
MLS100BC	49	0.896	MLST150-50	48	2	NIP025-SH	79	0.01
MLS200-06	46	2.25	MLST150-80	48	2	NIP038-SH	79	0.02
MLS200-12	48	2.5	MLST150-80V	48	2.125	NIP050-3	79	0.04
MLS200-20	48	2.15	MLST150-H	49	1.292	NIP050-SH	79	0.02
MLS200-30	46	2.15	MLST150-HB	49	1.75	NIP075-4	79	0.074
MLS200-50	48	3.9	MLSTM100-80	6, 47	0.34	NIP075-6	79	0.12
MLS200-80	48	2.15	MLSTM100HB	6, 47	0.34	NIP075-SH	79	0.03
MLS200B	49	1.526	MLSTM100HBC	6, 47	0.34	NIP100-4	79	0.09
MLS200BC	49	2.07	MPRV100-050	37	1.506	NIP100-6	79	0.14
MLS200BCM	48	2.315	MPRV100-075	37	1.45	NIP100-SH	79	0.038

# REFERENCE

PART NO	PAGE NO(S)	WEIGHT	PART NO	PAGE NO(S)	WEIGHT	PART NO	PAGE NO(S)	WEIGHT
NIP125-4	79	0.136	RB125-075	79	0.09	SL150-45	81	0.22
NIP125-6	79	0.22	RB125-100	79	0.06	SL150-90	81	0.25
NIP125-SH	79	0.06	RB150-075	79	0.12	SL200-45	81	0.34
NIP150-3	79	0.14	RB150-100	79	0.1	SL200-90	81	0.41
NIP150-4	79	0.22	RB150-125	79	0.1	SL300-45	81	0.833
NIP150-5	79	0.26	RB200-075	79	0.18	SL300-90	81	1.054
NIP150-6	79	0.34	RB200-100	79	0.17	ST200	66	0.809
NIP150-SH	79	0.12	RB200-125	79	0.14	ST300	66	1.332
NIP200-4	79	0.25	RB200-150	79	0.12	SUV050FP	17	0.25
NIP200-6	79	0.38	RB300-150	79	0.415	SUV075FP	17	0.4
NIP200-SH	79	0.14	RB300-200	79	0.359	SUV100FP	17	0.4
NIP2101	65	0.3	RB400-300	79	1.032	SUV125FP	17	0.88
NIP300-4	79	0.434	RC100-075	79	0.15	SUV150FP	17	0.88
NIP300-6	79	0.696	RC150-100	79	0.2	SUV200FP	17	1.45
NIP300-SH	79	0.307	RC150-125	79	0.206	SW100	83	0.16
PLUG025	80	0.03	RC200-050	79	0.28	SW150	83	0.36
PLUG038	80	0.02	RC200-100	79	0.26	SW220	83	0.52
PLUG050	80	0.02	RC200-125	79	0.26	TA283	67	0.2
PLUG075	39, 80	0.04	RC200-150	79	0.26	TA283QD	67	0.3
PLUG100	80	0.06	RC300-200	79	0.624	TC120	78	0.1
PLUG125	80	0.09	RN050-038	79	0.018	TC130	78	0.1
PLUG150	80	0.1	RN075-050	79	0.03	TC150	78	0.11
PLUG200	80	0.152	RN100-050	79	0.06	TC162	78	0.12
PLUG300	80	0.445	RN100-075	79	0.06	TC181	78	0.14
PV075	18	0.53	RN125-075	79	0.086	TC193	78	0.12
PV100	18	0.52	RN125-100	79	0.08	TC206	78	0.14
PV100-075	18	0.64	RN150-100	79	0.122	TC218	78	0.13
PV100-075V	18	0.35	RN150-125	79	0.14	TC224	78	0.14
PV10265	18	0.07	RN200-125	79	0.16	TC231	78	0.15
PV10265V	18	0.2	RN200-150	79	0.17	TC250	78	0.16
RB038-025	79	0.01	RN300-200	79	0.365	TC287	78	0.17
RB050-018	6, 79	0.02	RS21	83	0.756	TC312	78	0.16
RB050-025	79	0.02	RSTB	83	0.704	TC331	78	0.17
RB050-038	79	0.01	SL025-90	81	0.02	TC343	78	0.17
RB075-025	79	0.04	SL038-90	81	0.03	TC425	78	0.18
RB075-038	79	0.03	SL050-90	81	0.06	TC438	78	0.36
RB075-050	79	0.03	SL075-45	81	0.07	TC456	78	0.38
RB100-018	6, 79	0.60	SL075-90	81	0.08	TEE025	80	0.02
RB100-025	79	0.07	SL100-45	81	0.1	TEE038	80	0.05
RB100-050	79	0.05	SL100-90	81	0.13	TEE050	80	0.1
RB100-075	79	0.04	SL125-45	81	0.14	TEE075	80	0.14
RB125-038	6, 79	0.1	SL125-90	81	0.14	TEE100	80	0.21

# REFERENCE

PART NO	PAGE NO(S)	WEIGHT	PART NO	PAGE NO(S)	WEIGHT	PART NO	PAGE NO(S)	WEIGHT
TEE125	80	0.32	TL6531	67	0.084	V20018	103, 105, 115, 127, 129, 133, 135, 137, 139, 141, 151, 153, 155	0.004
TEE150	80	0.445	TLVA10	66	2.25	V20019	133, 135, 137, 139, 155	0.016
TEE200	80	0.584	TM075/050	83	0.16	V200BL	15	2.8
TEE300	80	1.594	UB100	43	0.24	V200FP	9	3.25
TEG075	80	0.14	UB202	43	0.26	V200SL	15	2.75
TEG100	80	0.22	UB220	43	0.32	V20153138	9	0.176
TF038SS	70	0.25	UV050FP	17	0.25	V20207	67, 76	0.006
TF050	70	0.25	UV075FP	17	0.25	V204FP	11	2.74
TF050SS	70	0.8	UV100FP	17	0.37	V20200	6, 9, 31	0.206
TF075	70	0.2	UV125FP	17	1	V20353TS	6, 15	0.002
TF075SS	70	1.15	UV150FP	17	1	V25153138	9	0.16
TF075V	70	0.22	UV15163	49, 87, 91, 99, 101, 103, 105, 109, 117, 119, 123, 125, 127, 129, 135, 137, 139, 143, 145	0.002	V25200BL	6, 15, 36	N/A
TF100	70	0.35	UV15163V	91, 99, 103, 117, 149, 151, 153, 155	0.002	V25270	9, 10	0.194
TF100AV	71	0.44	UV200FP	17	1.5	V25271	9, 10	0.356
TF100G	6, 70	N/A	UV204FPFD	65	1.58	V300	10	3.75
TF100GV	6, 70	N/A	V050	9	0.75	V300FP	10	5.67
TF100SS	70	2.85	V07018	99, 101, 103, 105, 107, 109, 111, 113, 115, 117, 119	0.1	V400	10	8.5
TF125	70	0.35	V07019	99, 101, 103, 105, 107, 109, 111, 113, 115, 117, 119	0.008	V40200	6, 10	4.2
TF125AV	71	0.386	V075	9	0.75	VA150	16	2.592
TF125SS	70	1.92	V075BL	15	1.35	VA200	16	2.8
TF138GV	70	0.1	V075SL	15	1.35	VA200FP	16	3.958
TF150	70	0.63	V100	9	0.682	VC200	71	0.219
TF150AV	71	0.68	V100BL	15	1.25	VC230	71	0.26
TF150SS	70	4.88	V100FP	9	1.16	VC300	71	0.54
TF200	70	0.55	V100SL	15	1.31	VC330	71	0.68
TF200AV	71	0.596	V10117	145	0.1	VFMT200FP	10	3.368
TF200SS	70	3.6	V10118	123, 125, 127, 129, 131, 133, 143, 145, 149, 151, 153, 155	0.004	VFMT204FP	11	3.33
TF200V	70	0.56	V10119	103, 123, 125, 127, 129, 131, 143, 149, 151, 153, 155	0.1	VL20153	9	0.35
TF220	70	0.82	V10153138	9	0.07	VL25153	10	0.41
TF220G	70	0.038	V10161	16	0.176	VN100	16	0.712
TF220SS	70	5.27	V10264	147	0.002	VS204FP	13	1.834
TF300	70	2	V10270	9	0.138	VS30200	6, 34	N/A
TF300G	70	0.094	V10271	9	0.14	VSBHB204FP	7	2.675
TF300SS	70	7.9	V125	9	1.25	VSBHB205FP	7	2.965
TF400	70	4.5	V125BL	15	2.126	VSBHB304FP	7	5.1
TF400G	70	0.7	V125FP	9	1.91	VSBHB305FP	7	5.52
TF400GV	70	0.752	V125SL	15	2.07	VSF200	12	1.25
TL600C	66	0.46	V150	9	1.87	VSF200CF	32	1.49
TL650S	66	0.5	V150BL	15	2	VSF200PAP	11	3.05
TL651S	66	0.7	V150SL	15	2	VSF204FP	13	1.82
TL652E	66	0.64	V200	9	1.88	VSF300	14	3.424
TL652S	66	0.63				VSFHB200	12	1.52

PART NO	PAGE NO(S)	WEIGHT
VSFMT200	12	1.562
VSFMT204FP	13	1.862
VSFMT204HSFP	13	2.95
VSFMT300	14	3.374
VSFMT300FP	14	4.29
VSFMT300HSFP	14	6.63
VSMT200	12	1.35
VSMT200CF	32	1.432
VSMT204FP	13	1.874
VSMT300	14	3.27
VSS025	18	0.634
VSS038	18	0.59
VSS050	18	0.7
VSS075	18	1.298
VSS100	18	2.094
VSS150	18	3.996
VSS200	18	6.808
VSS300	18	18.43
W230237	64	1.07
W230238	64	1.17
W230239	64	1.07
W230240	64	1.1
WSF210FSA	64	1.2
WSF210FSAV	64	1
WSMT210FSA	64	1.07
WSMT210FSAV	64	1





Liquid Handling Products

**BANJO CORPORATION**

A Unit of IDEX Corporation

150 Banjo Drive

Crawfordsville, IN 47933 U.S.A.

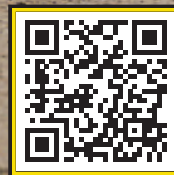
Telephone: (765) 362-7367

Fax: (765) 362-0744

[banjocorp.com](http://banjocorp.com)

#OriginalYellowHandle

Follow us on:



Scan to visit  
[BanjoCorp.com](http://BanjoCorp.com)